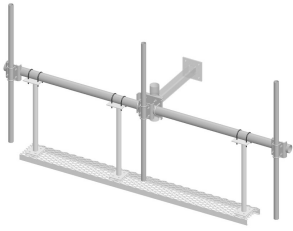


MT-216-14NS



Cellular Pipe Frame, 14 ft face

Product Classification

Product Type Pipe mount

General Specifications

Mounting Pipe, 114.3 mm (4-1/2 in) OD

Dimensions

Height 254 mm | 10 in

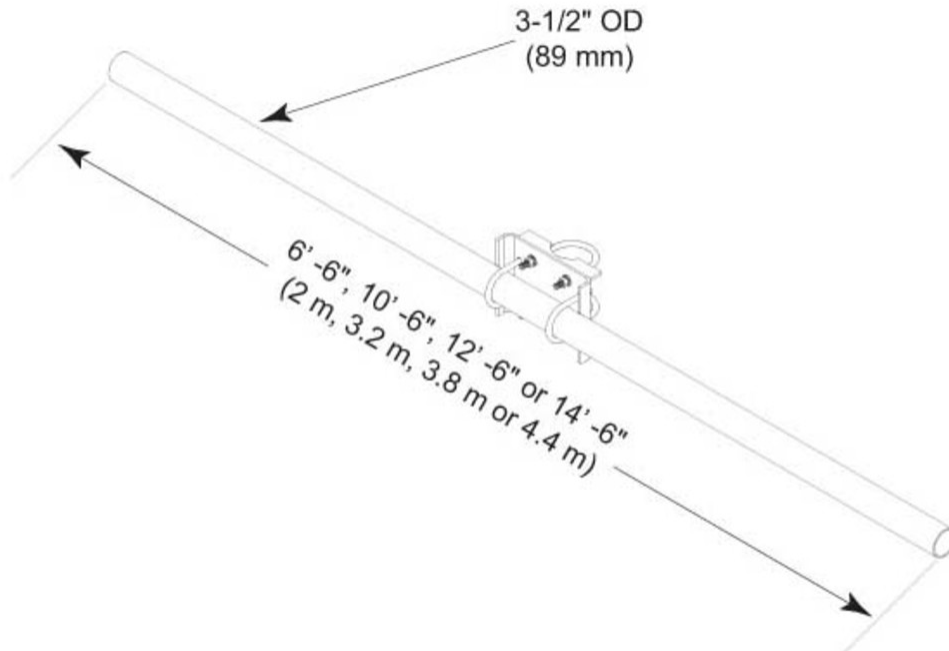
Face Width 4.42 m | 14.5 ft

Width 4,419.6 mm | 174 in

Length 88.9 mm | 3.5 in

MT-216-14NS

Outline Drawing



Material Specifications

Material Type Hot dip galvanized steel

Mechanical Specifications

Wind Rating 120 mph (BWS) at 150 ft AGL | 140 mph (3-second gust) at 150 ft AGL using Exposure D per FBC

Wind Rating Criteria Four 72 in x 8 in panel antennas per sector

Wind Rating Test Method TIA/EIA-222

Packaging and Weights

Included Cellular pipe frames

Packaging quantity 1

Weight, net 55.4 kg | 122.136 lb

Regulatory Compliance/Certifications

MT-216-14NS

Agency

ISO 9001:2015

Classification

Designed, manufactured and/or distributed under this quality management system

* Footnotes

Wind Rating

BWS—Base Wind Speed; FBC—Florida Building Code