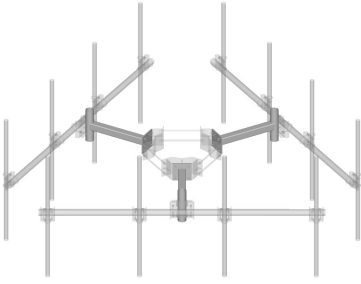


MT-197



Single Support Arm, 36 in, includes pipe

Product Classification

Product Type Universal ring mount

General Specifications

Mounting Ring mount

Pipe, quantity 1

Dimensions

Height 457.2 mm | 18 in

Width 254 mm | 10 in

Length 914.4 mm | 36 in

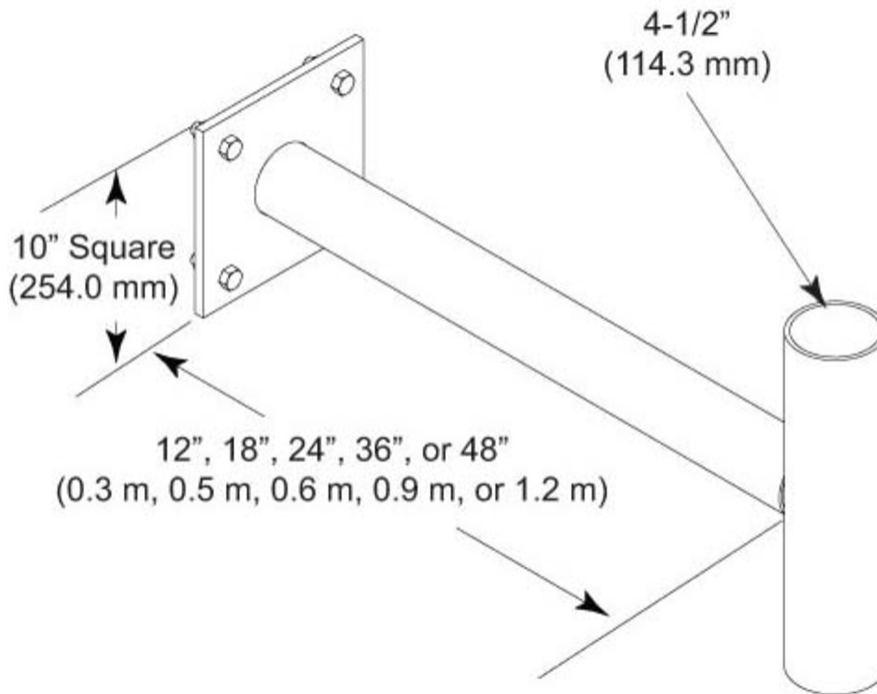
Pipe Length 457.2 mm | 18 in

Pipe Outer Diameter 114.3 mm | 4.5 in

Stand-off Distance 914.4 mm | 36 in

MT-197

Outline Drawing



Material Specifications

Material Type Hot dip galvanized steel

Mechanical Specifications

Wind Rating 120 mph (BWS) at 150 ft AGL | 140 mph (3-second gust) at 150 ft AGL using Exposure D per FBC

Wind Rating Criteria Four 72 in x 8 in panel antennas per sector

Wind Rating Test Method TIA/EIA-222

Packaging and Weights

Included Hardware | Stand-off arms

Packaging quantity 1

Weight, net 30.9 kg | 68.123 lb

MT-197

Regulatory Compliance/Certifications

Agency

ISO 9001:2015

**Classification**

Designed, manufactured and/or distributed under this quality management system

* Footnotes

Wind Rating

BWS—Base Wind Speed; FBC—Florida Building Code