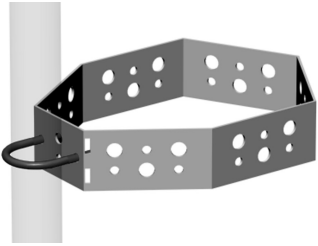


CS-BL-A



Cluster Support Bracket, large version, 6 in to 8 in OD round member attachment

Product Classification

Product Type Support bracket

General Specifications

Cable Runs, quantity 18

Hole, quantity 18

Mounting Cluster support

Dimensions

Height 127 mm | 5 in

Width 381 mm | 15 in

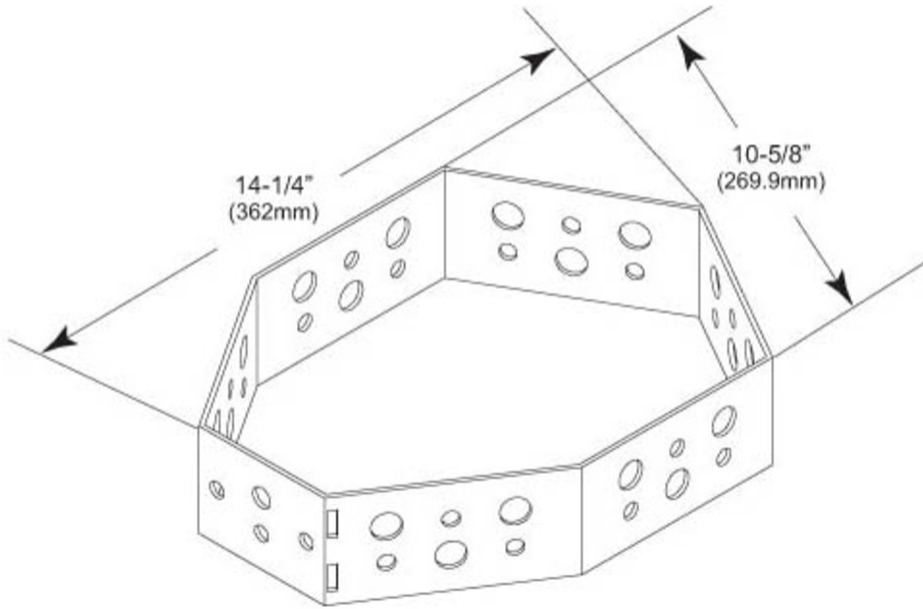
Length 279.4 mm | 11 in

Pipe Outer Diameter 60.96 mm | 2.4 in

Hole Size 3/4 in | 7/16 in

CS-BL-A

Outline Drawing



Material Specifications

Material Type Hot dip galvanized steel

Packaging and Weights

Included Brackets
Packaging quantity 1
Weight, net 2.3 kg | 5.071 lb

Regulatory Compliance/Certifications

Agency	Classification
CHINA-ROHS	Below maximum concentration value
ISO 9001:2015	Designed, manufactured and/or distributed under this quality management system
REACH-SVHC	Compliant as per SVHC revision on www.commscope.com/ProductCompliance
ROHS	Compliant

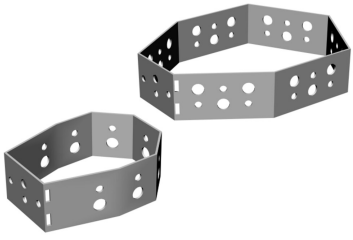


CS-BL-A

Included Products

- CS-BL – Cluster Support Bracket, large version, angle member attachment

CS-BL



Cluster Support Bracket, large version, angle member attachment

Product Classification

Product Type Support bracket

General Specifications

Cable Runs, quantity 18

Hole, quantity 18

Mounting Cluster support

Dimensions

Height 127 mm | 5 in

Width 381 mm | 15 in

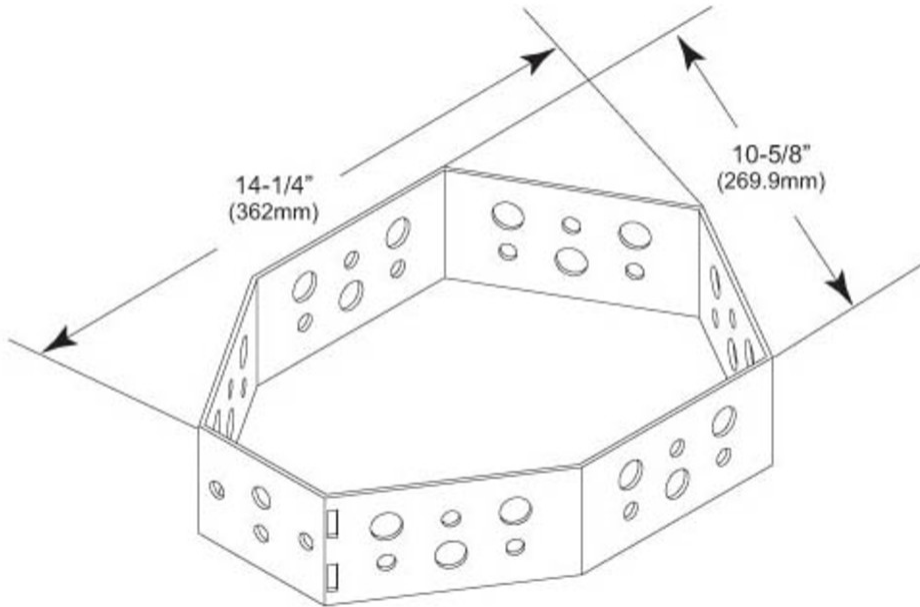
Length 279.4 mm | 11 in

Pipe Outer Diameter 60.96 mm | 2.4 in

Hole Size 3/4 in | 7/16 in

CS-BL

Outline Drawing



Material Specifications

Material Type Hot dip galvanized steel

Packaging and Weights

Included Brackets
Packaging quantity 1
Weight, net 1.8 kg | 3.968 lb

Regulatory Compliance/Certifications

Agency	Classification
CHINA-ROHS	Below maximum concentration value
ISO 9001:2015	Designed, manufactured and/or distributed under this quality management system
REACH-SVHC	Compliant as per SVHC revision on www.commscope.com/ProductCompliance
ROHS	Compliant



