

CS-B-R2



Cluster Support Bracket, large version

Product Classification

Product Type Support bracket

General Specifications

Cable Runs, quantity 7

Hole, quantity 7

Mounting Cluster support

Dimensions

Height 127 mm | 5 in

Width 228.6 mm | 9 in

Length 203.2 mm | 8 in

Mounting Diameter, maximum 127 mm | 5 in

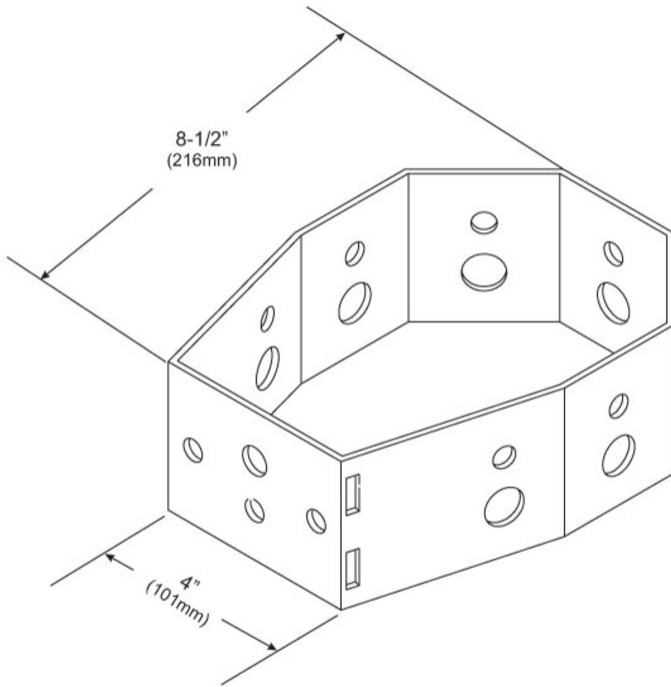
Mounting Diameter, minimum 50.8 mm | 2 in

Pipe Outer Diameter 60.96 mm | 2.4 in

Hole Size 3/4 in | 7/16 in

CS-B-R2

Outline Drawing



Material Specifications

Material Type Hot dip galvanized steel

Packaging and Weights

Included Brackets
Packaging quantity 1
Weight, net 3.2 kg | 7.055 lb

Regulatory Compliance/Certifications

Agency	Classification
--------	----------------

CS-B-R2

ISO 9001:2015

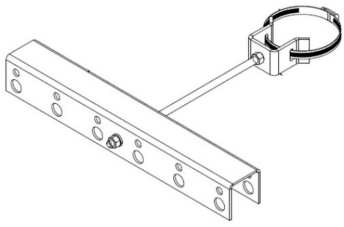
Designed, manufactured and/or distributed under this quality management system



Included Products

- ACS-12 – Antenna and RRU Cable Support Bracket for up to 12 Cables
- CS-B – Cluster Support Bracket
- PG-CS08 – PIM-Guard Antenna and RRU Cable Support Bracket with 8 ports for stackable hangers (up to 3 per port). Install with torque wrench set at 10 to 15 ft-lb to meet carrier PIM requirements. For patents, see www.cs-pat.com
- PG-CS23 – PIM-Guard Antenna and RRU Cable Support Bracket with 23 ports for stackable hangers (up to 3 per port). Install with torque wrench set at 10 to 15 ft-lb to meet carrier PIM requirements. For patents, see www.cs-pat.com
- PG-CSEB17 – PIM-Guard Expansion Bracket - expands PG-CS08 Cable Support Bracket to 23 Ports. For patents, see www.cs-pat.com
- PG-RM06 – PIM-Guard Round Member Cable Support Bracket 6 ports for stackable hangers (up to 3 per port). Install with torque wrench set at 5 to 7 ft-lb to meet carrier PIM requirements. For patents, see www.cs-pat.com
- PG-RMBH12 – PIM-Guard Round Member Cable Support Bracket for Block Hangers - Two 3/8" stainless steel threaded rods for up to 12 hangers. Install with torque wrench set at 10 to 15 ft-lb to meet carrier PIM requirements.
- PG-RMBH12-BP – PIM-Guard Round Member Cable Support Bracket for Block Hangers (pkg of 10)- Two 3/8" stainless steel threaded rods for up to 12 hangers. Install with torque wrench set at 10 to 15 ft-lb to meet carrier PIM requirements.

ACS-12



Antenna and RRU Cable Support Bracket for up to 12 Cables

Product Classification

Product Type	Support bracket
Customer Material Number	ANT.16500

General Specifications

Cable Runs, quantity	12
Hole, quantity	12

Dimensions

Width	419.1 mm 16.5 in
Length	294.64 mm 11.6 in
Mounting Diameter, maximum	50.8 mm 2 in
Mounting Diameter, minimum	254 mm 10 in
Hole Size	3/4 in 7/16 in

Material Specifications

Material Type	Hot dip galvanized steel
----------------------	--------------------------

Packaging and Weights

Packaging quantity	1
Weight, net	2 kg 4.409 lb

Regulatory Compliance/Certifications

Agency	Classification
CHINA-ROHS	Below maximum concentration value
ISO 9001:2015	Designed, manufactured and/or distributed under this quality management system
REACH-SVHC	Compliant as per SVHC revision on www.commscope.com/ProductCompliance
ROHS	Compliant





Cluster Support Bracket

Product Classification

Product Type Support bracket

General Specifications

Cable Runs, quantity 7

Hole, quantity 7

Mounting Cluster support

Dimensions

Height 127 mm | 5 in

Width 228.6 mm | 9 in

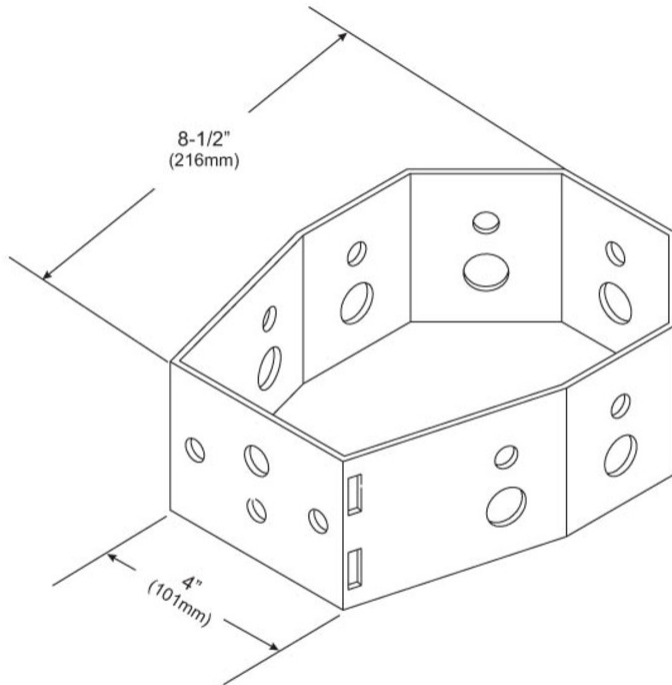
Length 152.4 mm | 6 in

Pipe Outer Diameter 60.96 mm | 2.4 in

Hole Size 3/4 in | 7/16 in

CS-B

Outline Drawing



Material Specifications

Material Type Hot dip galvanized steel

Packaging and Weights

Included Brackets
Packaging quantity 1
Weight, net 1.4 kg | 3.086 lb

Regulatory Compliance/Certifications

Agency **Classification**

CS-B

ISO 9001:2015

Designed, manufactured and/or distributed under this quality management system

REACH-SVHC

Compliant as per SVHC revision on www.commscope.com/ProductCompliance

ROHS

Compliant



PG-CS08



PIM-Guard Antenna and RRU Cable Support Bracket with 8 ports for stackable hangers (up to 3 per port). Install with torque wrench set at 10 to 15 ft-lb to meet carrier PIM requirements. For patents, see www.cs-pat.com

Product Classification

Product Type	Support bracket
Product Brand	PIM-Guard

General Specifications

Cable Runs, quantity	8
Hole, quantity	8
Mounting	Pipe, 60.3–114.3 mm (2-3/8 in to 4-1/2 in) OD

Dimensions

Height	55.88 mm 2.2 in
Width	248.92 mm 9.8 in
Length	317.5 mm 12.5 in
Mounting Diameter, maximum	60.96 mm 2.4 in
Mounting Diameter, minimum	114.3 mm 4.5 in
Hole Size	3/4 in 7/16 in

Material Specifications

Material Type	Hot dip galvanized steel
----------------------	--------------------------

Packaging and Weights

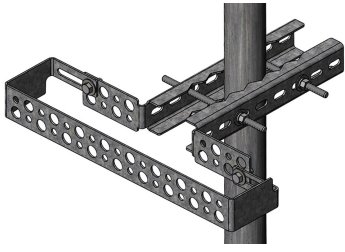
Packaging quantity	1
Weight, net	4.1 kg 9.039 lb

Regulatory Compliance/Certifications

Agency	Classification
ISO 9001:2015	Designed, manufactured and/or distributed under this quality management system



PG-CS23



PIM-Guard Antenna and RRU Cable Support Bracket with 23 ports for stackable hangers (up to 3 per port). Install with torque wrench set at 10 to 15 ft-lb to meet carrier PIM requirements. For patents, see www.cs-pat.com

Product Classification

Product Type	Support bracket
Product Brand	PIM-Guard

General Specifications

Cable Runs, quantity	23
Hole, quantity	23
Mounting	Pipe, 60.3–114.3 mm (2-3/8 in to 4-1/2 in) OD

Dimensions

Height	55.88 mm 2.2 in
Width	457.2 mm 18 in
Length	419.1 mm 16.5 in
Mounting Diameter, maximum	60.96 mm 2.4 in
Mounting Diameter, minimum	114.3 mm 4.5 in
Hole Size	3/4 in 7/16 in

Material Specifications

Material Type	Hot dip galvanized steel
----------------------	--------------------------

Packaging and Weights

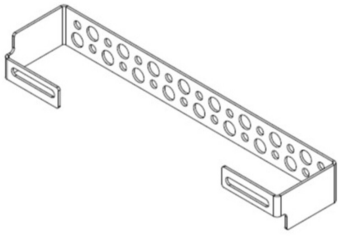
Packaging quantity	1
Weight, net	5.1 kg 11.244 lb

Regulatory Compliance/Certifications

Agency	Classification
ISO 9001:2015	Designed, manufactured and/or distributed under this quality management system



PG-CSEB17



PIM-Guard Expansion Bracket - expands PG-CS08 Cable Support Bracket to 23 Ports. For patents, see www.cs-pat.com

Product Classification

Product Type	Support bracket
Product Brand	PIM-Guard

General Specifications

Cable Runs, quantity	17
Hole, quantity	17

Dimensions

Height	55.88 mm 2.2 in
Width	457.2 mm 18 in
Length	101.6 mm 4 in
Hole Size	3/4 in 7/16 in

Material Specifications

Material Type	Hot dip galvanized steel
----------------------	--------------------------

Packaging and Weights

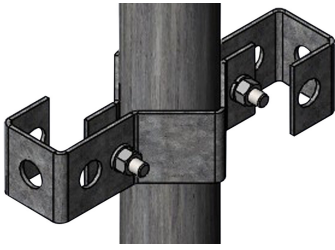
Packaging quantity	1
Weight, net	0.8 kg 1.764 lb

Regulatory Compliance/Certifications

Agency	Classification
ISO 9001:2015	Designed, manufactured and/or distributed under this quality management system



PG-RM06



PIM-Guard Round Member Cable Support Bracket 6 ports for stackable hangers (up to 3 per port). Install with torque wrench set at 5 to 7 ft-lb to meet carrier PIM requirements. For patents, see www.cs-pat.com

Product Classification

Product Type	Support bracket
Product Brand	PIM-Guard

General Specifications

Cable Runs, quantity	6
Hole, quantity	6
Mounting	Pipe, 60.3–88.9 mm (2-3/8 in to 3-1/2 in) OD

Dimensions

Height	50.8 mm 2 in
Width	50.8 mm 2 in
Length	198.12 mm 7.8 in
Mounting Diameter, maximum	60.96 mm 2.4 in
Mounting Diameter, minimum	88.9 mm 3.5 in
Hole Size	3/4 in

Material Specifications

Material Type	Hot dip galvanized steel
----------------------	--------------------------

Packaging and Weights

Packaging quantity	1
Weight, net	2.3 kg 5.071 lb

Regulatory Compliance/Certifications

Agency	Classification
CHINA-ROHS	Below maximum concentration value
ISO 9001:2015	Designed, manufactured and/or distributed under this quality management system

PG-RM06

REACH-SVHC

Compliant as per SVHC revision on www.commscope.com/ProductCompliance

ROHS

Compliant



PG-RMBH12



PIM-Guard Round Member Cable Support Bracket for Block Hangers - Two 3/8" stainless steel threaded rods for up to 12 hangers. Install with torque wrench set at 10 to 15 ft-lb to meet carrier PIM requirements.

Product Classification

Product Type	Support bracket
Product Brand	PIM-Guard

General Specifications

Cable Runs, quantity	12
Mounting	Pipe, 60.3–88.9 mm (2-3/8 in to 3-1/2 in) OD

Dimensions

Height	38.1 mm 1.5 in
Width	139.7 mm 5.5 in
Length	304.8 mm 12 in
Mounting Diameter, maximum	60.96 mm 2.4 in
Mounting Diameter, minimum	88.9 mm 3.5 in

Material Specifications

Material Type	Hot dip galvanized steel Stainless steel
----------------------	--

Packaging and Weights

Included	Attachment hardware Clamps Threaded rod
Packaging quantity	1
Weight, net	2.6 kg 5.732 lb

Regulatory Compliance/Certifications

Agency	Classification
ISO 9001:2015	Designed, manufactured and/or distributed under this quality management system



PG-RMBH12-BP



PIM-Guard Round Member Cable Support Bracket for Block Hangers (pkg of 10)- Two 3/8" stainless steel threaded rods for up to 12 hangers. Install with torque wrench set at 10 to 15 ft-lb to meet carrier PIM requirements.

Product Classification

Product Type	Support bracket
Product Brand	PIM-Guard

General Specifications

Cable Runs, quantity	12
Mounting	Pipe, 60.3–88.9 mm (2-3/8 in to 3-1/2 in) OD

Dimensions

Height	38.1 mm 1.5 in
Width	139.7 mm 5.5 in
Length	304.8 mm 12 in
Mounting Diameter, maximum	60.96 mm 2.4 in
Mounting Diameter, minimum	88.9 mm 3.5 in

Material Specifications

Material Type	Hot dip galvanized steel Stainless steel
----------------------	--

Packaging and Weights

Included	Attachment hardware Clamps Threaded rod
Packaging quantity	10
Weight, net	2.6 kg 5.732 lb

Regulatory Compliance/Certifications

Agency	Classification
ISO 9001:2015	Designed, manufactured and/or distributed under this quality management system

