

# TA-DFDF

---



## 7-16 DIN Female to 7-16 DIN Female Low-PIM Adapter

### Product Classification

**Product Type** Adapter

### General Specifications

**Body Style** Straight

**Inner Contact Plating** Silver

**Interface** 7-16 DIN Female

**Interface 2** 7-16 DIN Female

**Mounting Angle** Straight

**Outer Contact Plating** Trimetal

**Pressurizable** No

### Dimensions

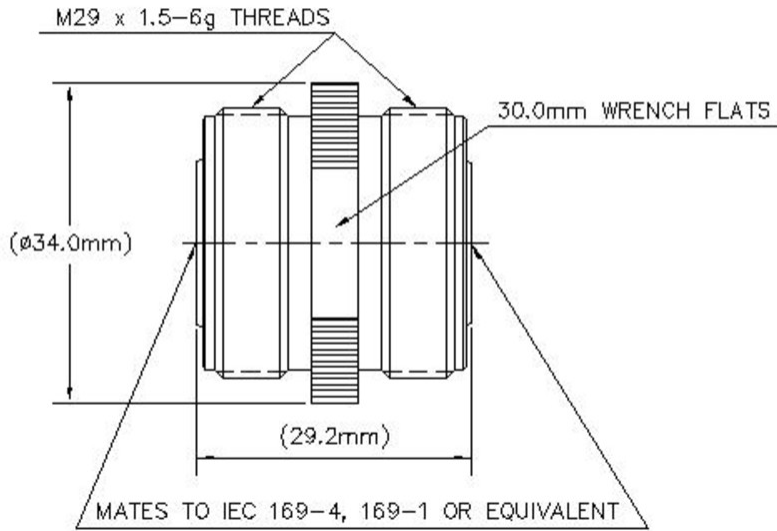
**Width** 30 mm | 1.181 in

**Length** 29.2 mm | 1.15 in

**Diameter** 34 mm | 1.339 in

### Outline Drawing

# TA-DFDF



## Electrical Specifications

|                                             |                      |
|---------------------------------------------|----------------------|
| <b>3rd Order IMD at Frequency</b>           | -163 dBc @ 1800 MHz  |
| <b>3rd Order IMD Test Method</b>            | Two +43 dBm carriers |
| <b>Average Power at Frequency</b>           | 1,300.0 W @ 900 MHz  |
| <b>Connector Impedance</b>                  | 50 ohm               |
| <b>dc Test Voltage</b>                      | 4000 V               |
| <b>Inner Contact Resistance, maximum</b>    | 0.4 mOhm             |
| <b>Insulation Resistance, minimum</b>       | 10000 MOhm           |
| <b>Operating Frequency Band</b>             | 0 – 7500 MHz         |
| <b>Outer Contact Resistance, maximum</b>    | 1.5 mOhm             |
| <b>Peak Power, maximum</b>                  | 28.8 kW              |
| <b>RF Operating Voltage, maximum (vrms)</b> | 1200 V               |

## VSWR/Return Loss

| Frequency Band | VSWR  | Return Loss (dB) |
|----------------|-------|------------------|
| 0-3000 MHz     | 1.032 | 36.06            |
| 3000-6000 MHz  | 1.083 | 27.99            |

## Mechanical Specifications

|                        |                    |
|------------------------|--------------------|
| <b>Insertion Force</b> | 200 N   44.962 lbf |
|------------------------|--------------------|

# TA-DFDF

---

|                                     |                    |
|-------------------------------------|--------------------|
| <b>Insertion Force Method</b>       | IEC 61169-4:15.2.4 |
| <b>Interface Durability</b>         | 500 cycles         |
| <b>Interface Durability Method</b>  | IEC 61169-4:9.5    |
| <b>Mechanical Shock Test Method</b> | IEC 60068-2-27     |

## Environmental Specifications

|                                                   |                                       |
|---------------------------------------------------|---------------------------------------|
| <b>Operating Temperature</b>                      | -55 °C to +85 °C (-67 °F to +185 °F)  |
| <b>Storage Temperature</b>                        | -65 °C to +125 °C (-85 °F to +257 °F) |
| <b>Attenuation, Ambient Temperature</b>           | 20 °C   68 °F                         |
| <b>Average Power, Ambient Temperature</b>         | 40 °C   104 °F                        |
| <b>Average Power, Inner Conductor Temperature</b> | 100 °C   212 °F                       |
| <b>Climatic Sequence Test Method</b>              | IEC 60068-1                           |
| <b>Corrosion Test Method</b>                      | IEC 60068-2-11                        |
| <b>Damp Heat Steady State Test Method</b>         | IEC 60068-2-3                         |
| <b>Immersion Depth</b>                            | 1 m                                   |
| <b>Immersion Test Mating</b>                      | Mated                                 |
| <b>Immersion Test Method</b>                      | IEC 60529:2001, IP68                  |
| <b>Thermal Shock Test Method</b>                  | IEC 60068-2-14                        |
| <b>Vibration Test Method</b>                      | IEC 60068-2-6                         |

## Packaging and Weights

|                    |                    |
|--------------------|--------------------|
| <b>Weight, net</b> | 88.65 g   0.195 lb |
|--------------------|--------------------|

## Regulatory Compliance/Certifications

| <b>Agency</b> | <b>Classification</b>                                                                                                    |
|---------------|--------------------------------------------------------------------------------------------------------------------------|
| CHINA-ROHS    | Below maximum concentration value                                                                                        |
| ISO 9001:2015 | Designed, manufactured and/or distributed under this quality management system                                           |
| REACH-SVHC    | Compliant as per SVHC revision on <a href="http://www.andrew.com/ProductCompliance">www.andrew.com/ProductCompliance</a> |
| ROHS          | Compliant                                                                                                                |
| UK-ROHS       | Compliant                                                                                                                |



## \* Footnotes

# TA-DFDF

---

**Immersion Depth**

Immersion at specified depth for 24 hours