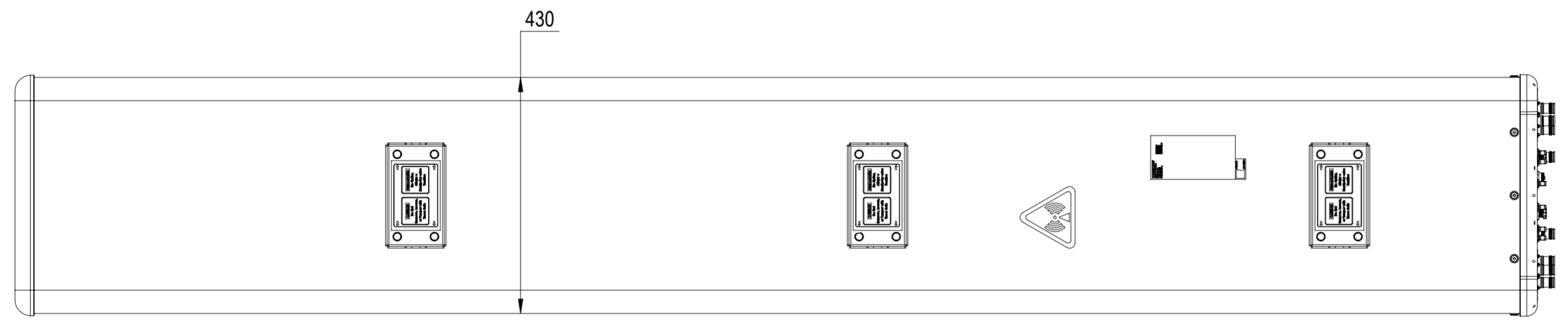
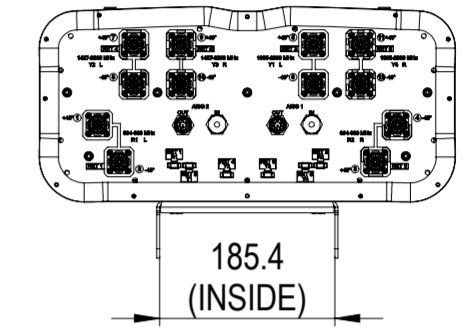
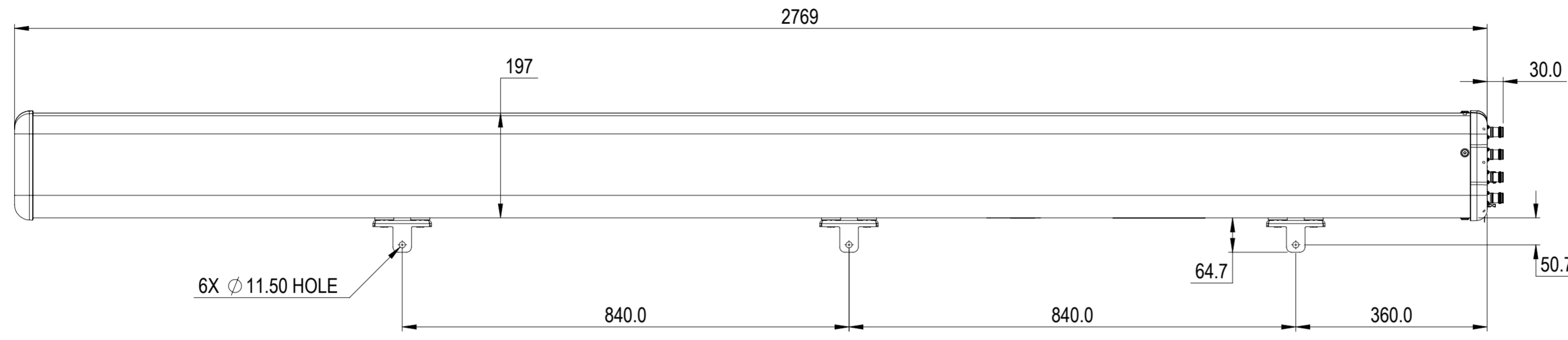


REVISIONS			
REV.	DESCRIPTION	DATE	APPROVED
A	ECR 8000041187: RELEASE TO PRODUCTION PER EAO 608244.	18DEC20 ZY	AB/YL



RRZZVV-65D-R6N43

**COMMSCOPE, INC. OF NORTH CAROLINA**

TOLERANCES		SAP MATERIAL MASTER	
0 PLACE X ±	2 PLACE .XX ±		
1 PLACE .X ±	ANGLES ±		
FINISH		MATERIAL	
<small>UNLESS OTHERWISE SPECIFIED DIMENSIONS ARE IN MILLIMETERS INTERPRET PER ISO STANDARDS HANDBOOK TECHNICAL DRAWINGS, VOLUMES 1 &amp; 2, THIRD EDITION (2002)</small>		NAME	DATE
		CE YZHA1	18DEC20
		RW YZHA1	23DEC20
		RV BA1025	23DEC20
		AD LY1021	23DEC20
RE XK1001	23DEC20	<b>SCALE</b> 1:8 <b>DOCUMENT NO.</b> <b>RRZZVV-65D-R6N43-L</b>	
ECN 8000041187-O			
SIZE		WORK AREA	23
HEIGHT		MODEL	
LENGTH		VERSION	STATUS
WIDTH		RE	RE
		DRAWING	
		VERSION	STATUS
		REVISION	REVISION
		A	00
		RE	A
		SHEET	
		1 OF 1	

DENSITY	g/mm <sup>3</sup>
MASS	grams
VOLUME	mm <sup>3</sup>
SURFACE AREA	mm <sup>2</sup>

© 2020 CommScope, Inc.