

# Street Cabinets

## Copper portfolio

The Cross Connection Cabinet product family, also known as street cabinets, are used in fixed-wire telecommunication networks as a distribution cabinet for copper or combined with glass-fiber cables. The weather-proof cabinets are made of robust, glass-fiber reinforced polycarbonate. In addition to several other advantages which will be discussed below, the cabinets are good heat-insulators which prevents the formation of condensation during quick temperature drops. The different variants of cabinets are available with various locking mechanisms. The current grouping is into 5 sub-categories:

- Small size - Cabinet 92 (H846 x D300 x W425)
- Medium size - Cabinet 82 (H998 x D310 x W754)
- Large size - Cabinet 83 (H1005 x D326 x W1128)
- Cable heads options for CCC cabinets
- FlexCab for customized solutions.

## Cross Connection Cabinet 92

Small size cabinet – up to 600 pairs

The Cross Connection Cabinet 92 is a weather-proof cabinet made of glass-fiber reinforced polycarbonate used in fixed-line telecommunication networks. The cabinet is designed for the accommodation of cable heads. The insert frame can hold 4 x 100 pairs (cable head S2) or 6 x 100 pairs (cable head HD180). For universal applications a mounting plate is available.



### Features & benefits

- A mounting frame of stainless steel
- The door is designed as a slot-in unit
- Cabinet without ventilation
- Easy to install, i.e. with the mounted plinth already attached
- Pre-stressed break off joints reduce repair costs and downtime after an accident because the underground base usually remains intact.

### Design and configurations

Product description	Cabinet configuration	Mounting system	Locking mechanism	Weight (kg)
Cabinet 92R	Jumper frame for 400 pairs (Series 2 cable head) or 600 pairs (HD180 Cable head)	Cable Heads	Swivel handle*	25.2
Cabinet 92M	Empty with universal Plastic mounting plate 600 x 370 x 8 mm	Empty with universal mounting plate	Swivel handle*	20.4

\*Compatible with PROFIL half cylinder DIN 18252 40mm (SI/STW/15/19) locks

## General attributes & mechanical characteristics

- Installation:
  - The plinth is included.
- Product specifications:
  - Dimensions(mm): H846 x D300 x W425
  - Application range: Air temperature: -30°C to +60°C  
rel. humidity 5% - 95%
  - Protection: IP 54 acc. To DIN EN 60529
  - Cabinet material: Fiber-reinforced polycarbonate, painted
  - Flammability class: UL 94V-0
  - Color: Grey (similar to RAL 7038)
  - Metal parts: Mounting rack: stainless steel
  - other parts: Sheet-steel, galvanized and chromated
  - Recycling: Polyester can be fully recycled

## Product offering - Cross Connection Cabinet 92

Order Number	Description
69921501-40	Cabinet 92R with jumper frame for Cable Heads
69921504-40	Cabinet 92M empty with mounting plate.

## Product offering - Cross Connection Cabinet 92 – locks

Order Number	Description
70562360-00	Half profile cylinder with KRONE lock system 19 with one key
69822039-01	KRONE lock insert 19
52673383-52	Key for locking system 19

## Cross Connection Cabinet 82

Medium size cabinet – up to 1600 pairs

The Cross Connection Cabinet 82 is a weather-proof cabinet made of fiber-reinforced polycarbonate which is used in fixed-wire telecommunication networks. Moreover, the CCC 82 is used in the access network area as cross-connection cabinet to accommodate termination and distribution components for broadband communication. The cabinet is produced in a thermoplastic foam-casting process and is a good heat-insulator which prevents the formation of condensation due to quick drops in temperature. The Cross Connection Cabinet 82 is suitable for up to 1200 pairs (cable head S2) or 1600 pairs (cable head HD180)



### Features & benefits

- Made of robust, glass-fiber reinforced polycarbonate
- Manufactured in a special structural foam process
- No additional insulation against condensation needed
- Easy set-up of a bank of cabinets
- The door comes with a double locking system
- simple to change closing of door at right or left
- Without ventilation
- Split base plate with rubber bushings
- Back mount frame (optional) with additional slot to accommodate:
  - 1x LSA-PLUS® S2 module, Earth-wire module 2/38 or label holder
  - BMF is designed to separate 100 pair blocks with 30mm space in between

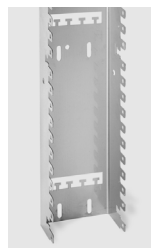
## Design and configurations

Product description	Cabinet configuration	Mounting system	Cabinet access	Locking mechanism	Weight (kg)
Cross connection cabinet 82A	Jumper frame for 1200 pairs (Series 2 cable head) or 1600 pairs (HD180 Cable head)	Cable head	1-side access	Swivel handle*	~37
Cross connection cabinet 82 M	1200 LSA-PLUS® S2 modules	Back mount frame	1-side access	Grip handle	~37
Cross connection cabinet 82 M – 2 sided	2400 LSA-PLUS® S2 modules	Back mount frame	2-sided access	Grip handle	~37
Cross connection cabinet 82 AK	1200 LSA-PLUS® S2 modules	PROFIL rods	1-side access	Grip handle	~37
Cross connection cabinet 82 AK – 2 sided	2400 LSA-PLUS® S2 modules	PROFIL rods	2-sided access	Grip handle	~37

\* Compatible with double locking system, prepared for the installation of profile-cylinders (acc. to DIN 18252)



Half profile cylinder lock, design 19



Back mount frame – for CCC82 cabinet orderable separately

## General attributes & mechanical characteristics

- Installation:
  - The plinth must be ordered separately.
- Product specifications:
  - Dimensions(mm): H998 x D310 x W754 (without plinth)
  - Application range: Air temperature: -30°C to +60°C  
Rel. humidity: 5% - 95%
  - Protection class: Cabinet 82A / 82AB: IP 54 acc. to DIN EN 60529
  - Cabinet materials: Fiber-reinforced polycarbonate, painted
  - Flammability class: UL 94V-0
  - Color: Grey (similar to RAL 7038)
  - Metal parts: Mounting rack: stainless steel
  - Other parts: Sheet-steel, galvanized, chromated
  - Recycling: Polyester can be fully recycled

## Product offering - Cross Connection Cabinet 82

Order Number	Description
OEC-69821101-43	Cross connection cabinet 82A – for cable Head – 1 side access
OEC-69821201-01	Cross connection cabinet 82M – Back mount frame – 1 side access*
OEC-69821202-01	Cross connection cabinet 82M2 – Back mount frame – 2 side access*
OEC-69821202-12	Cross connection cabinet 82M2 – Back mount frame – 2 side access – Green color cabinet*
OEC-69821212-10	Cross connection cabinet 82AK2 – PROFIL rod – 2 side access
OEC-69821854-10	Cross connection cabinet 82AK – PROFIL rod - 1 sided access

\*Back mount frame must be ordered separately

## Product offering - Cross Connection Cabinet 82 – Accessories

Order Number	Description
70252003-00	Predetermined breaking element for plinth 1060 (replacement accessories)
52673585-02	Back mount frame 2/10, 3 x 10 + 1 modules 2/10 (300 pairs)

## Product offering - Cross Connection Cabinet 82 – locks

Order Number	Description
70562360-00	Half profile cylinder with KRONE lock system 19 with one key
69822039-01	KRONE lock insert 19
52673383-52	Key for locking system 19

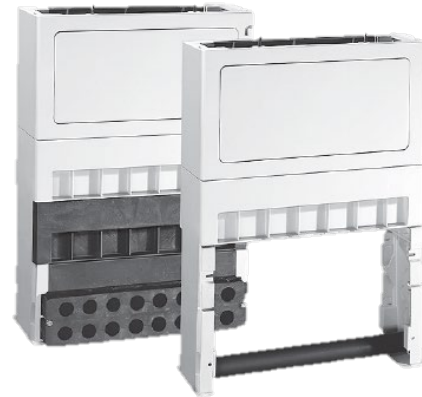
## Product offering - Cross Connection Cabinet 82 – Replacement parts

Order Number	Description
69822006-10	Revolving handle 82 for ESA-BF1, without lock case
69823010-00	Lock case 82 for ESA

NOTE: Additional spare parts available upon request

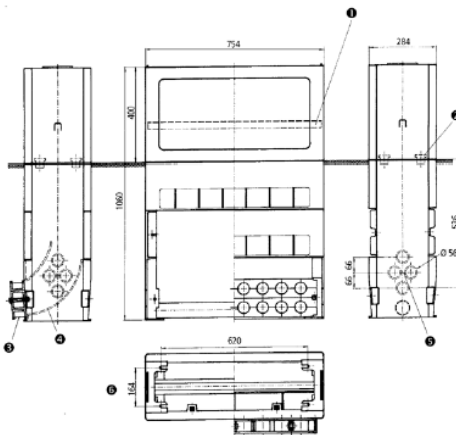
## Plinth 1060 for Cross Connection Cabinet 82

The Plinth 1060 is made of weatherproof, solid colored polycarbonate and is used to fix cabinet 82. The main functions of plinth 1060 are routing the main and branch cables from the ground into the cabinet and anchoring the cabinet to the ground. The plinth 1060 has several advantages: it is easy to install where it is delivered as a fully assembled unit, the base front flap cannot be removed from the outside and inexpensive repair is possible thanks to the fact that all parts of the housing can be removed and individual parts can be easily replaced without necessary to remove the cable installation. The base-plate of the cabinet is fixed to the top of the plinth by four bolts, which are part of the delivery of the plinth.

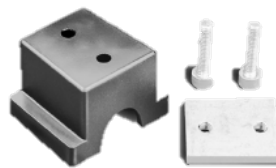


### Product specification

- Application range: Air temperature: -30°C to +60°C
- Entry depth: 660 mm
- Cabinet materials: Fiber-reinforced polycarbonate
- Flammability class: UL 94V-0
- Color: Grey (similar to RAL 7035)
- Metal parts: Sheet steel, galvanic galvanized, chromated or stainless steel
- Connection plate: Polypropylene black, color deviations are possible
- Recyclable: The product is completely recyclable



Drawings plinth 1060



Predetermined breaking element for plinth 1060



Plinth 1060 with front plate

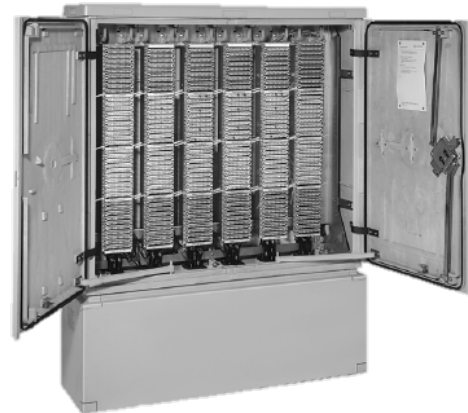
## Product offering – Plinth 1060 for Cross Connection Cabinet 82

Order Number	Description
70252002-00	Plinth 1060, standard for underground cable entry; fully assembled
70252010-00	Plinth 1060, comfort for underground cable entry; fully assembled
70252003-00	Predetermined breaking element for plinth 1060
Upon customer request	Connection plate 4 DN 100 With fixing material, for installation of up to 4 cable conduit pipes with an outer diameter of 110 mm
Upon customer request	Connection plate 16 DN 50 With fixing material, for installation of up to 16 cable conduit pipes with an outer diameter of 50 mm

## Cross Connection Cabinet 83

Large size cabinet – up to 2400 pairs

The Cross Connection Cabinet 83 is a weather-proof cabinet made of glass-fiber reinforced polycarbonate which is used in fixed-wire telecommunication networks. It can be installed, for example, in the access network area as a cross-connection cabinet to accommodate termination and distribution components and units for broadband communication – for example, for cable television. The cabinet is available without ventilation. The inside of the cabinet is easily accessible thanks to a double door which comes with a three-point lock and a double locking system, designed for use with half-profile cylinders. Multiple variants are available depending on the type of application and the required internal climate in the cabinet.



## Features & benefits

- Mounting racks of stainless steel
- Suitable foundation: plastic plinth 83
- Without ventilation
- Split base plate with rubber bushings for incoming cables
- A good heat-insulator which hinders the formation of condensation during quick drops in temperature



## Design and configurations

Product description	Cabinet configuration	Mounting system	Cabinet access	Locking mechanism	Weight (kg)
CCC 83 2T PROFIL	1800 pairs Series 2 profile 2400 pairs HD180 profile	PROFIL rods	1-side access (two doors)	Swivel handle*	~55
CCC 83 A	Jumper frame for 1800 pairs (Series 2 cable head) or 2400 pairs (HD180 cable head)	Cable head	1-side access (two doors)	Swivel handle*	~55

\* Compatible with double locking system, prepared for the installation of profile-cylinders (acc. to DIN 18252)

## General attributes & mechanical characteristics

- Installation:
  - The plinth must be ordered separately.
- Product specifications:
  - Dimensions(mm)                    H1005 x D326 x W1128
  - Application range:                Air temperature: -30°C to +60°C  
Rel. humidity: 5% - 95%
  - Cabinet materials:                Fiber-reinforced polycarbonate, painted
  - Flammability class:                UL 94V-0
  - Color:                                Grey (similar to RAL 7038)
  - Handle type:                        Swivel handle
  - Metal parts:                        Mounting rack: stainless steel
  - Other parts:                        Sheet-steel, galvanized, chromated
  - Protection class:                 IP 54 according to DIN EN 60529
  - Recycling:                         Polyester can be fully recycled

## Product offering - Cross Connection Cabinet 83

Order Number	Description
OEC-69831001-44	CCC 83 2T PROFIL (profile rods pre-installed, 2 doors)
OEC-69831001-45	CCC 83 A F. EVS (For cable heads, 2 doors)

## Product offering - Cross Connection Cabinet 82 – Locks

Order Number	Description
70562360-00	Half profile cylinder with KRONE lock system 19 with one key
69822039-01	KRONE lock insert 19
52673383-52	Key for locking system 19

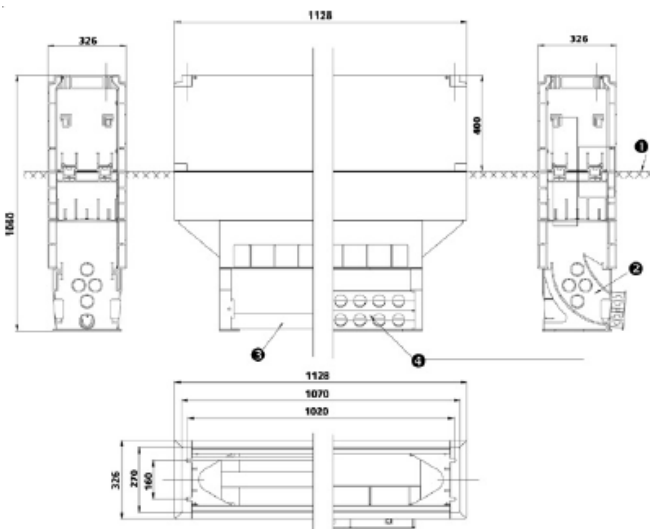
## Plinth 83 for Cross Connection Cabinet 83

The Plinth 83 is made of glass-fiber reinforced polycarbonate and fixes cabinet 83. Its main functions are routing the main and branch cables in the housing and anchoring the cabinet to the ground. Plinth 83 consists of 2 main parts: an above ground part which is 400 mm above the ground with removable front flaps. And an underground part which facilitates cable entry and redirection. The underground part contains four cable openings per side ( $\varnothing$  56 mm) which allows the insertion. The foot of the housing frame is fixed to the above ground part of the plinth by 4 bolts (which are included). The plinth has also replaceable predetermined break-point elements at the height of the earth connecting the upper and lower parts of the plinth which makes it easy to replace main elements without the need to remove the cable installations. Please note that the connection plates for cable conduit pipes must be ordered separately.



### Product specification

- Entry depth: 660 mm
- Color: Grey (similar to RAL 7035)
- Metal parts: Sheet steel, galvanic galvanized, chromated or stainless steel
- Connection plate: Polypropylene black, color deviations are possible



Dimension drawings of plinth 83



Connection plate 4 DN 100



## Product offering – Plinth 83 for Cross Connection Cabinet 83

Order Number	Description
69852001-00	Plastic Plinth 83
Upon customer request	Connection plate 4 DN 100 With fixing material, for installation of up to 4 cable conduit pipes with an outer diameter of 110 mm
Upon customer request	Connection plate 16 DN 50 With fixing material, for installation of up to 16 cable conduit pipes with an outer diameter of 50 mm

## Cable heads for Cross Connection Cabinets

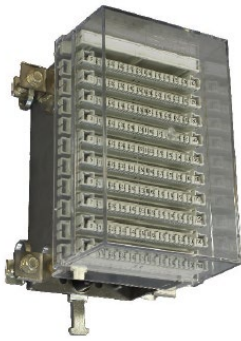
Suitable for CCC 92, CCC82 and CCC83

The cable head is used to fit in the cross-connection cabinet. These blocks of 100 pair pre-assembled modules enables quick and easy installation in the field. Standard type is using LSA-PLUS® Series 2 modules. In case of space restricted environment our high-density type is available using LSA-PLUS® HD180 modules. The cable head is designed to have a high packing density while still maintaining a high reliability. The cable head is applicable in all communication networks (ISDN, POTS, DSL and IP networks). It is also compatible with VDSL2

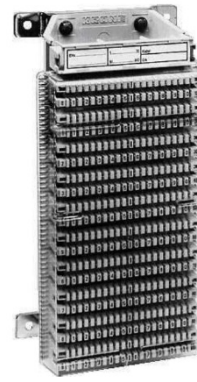


## Features & benefits

- 100 pair as a ready kit for easy installation
- Use of the standard LSA-PLUS® termination tool
- IDC (Insulation-displacement connector) contacts at the front and rear (for HD180)
- Highest contact reliability thanks to silver coated LSA-PLUS® contacts
- Overvoltage protection as optional accessories



LSA-PLUS® HD180 cable head - 100 pair



LSA-PLUS® Series 2 cable head - 100 pair

## General attributes & mechanical characteristics

- Product specifications:
  - Height:
    - 277 mm LSA-PLUS® Series 2
    - 175 mm LSA-PLUS® HD180
  - Delivery includes:
    - 1 receptacle
    - 10 LSA-PLUS® connection or disconnection modules of 10 pair each
    - 1 label set consisting of 1 label frame, 1 label, 1 transparent cover and set of numbers
    - 1 dust cap
    - Fastening material
    - Installation instructions

## Product offering - Cable heads for Cross Connection Cabinets

Order Number	Description
LSA-PLUS® Series 2	
60921001-00	LSA-PLUS® Series 2 cable head 100 pair – connection modules
60921102-07	LSA-PLUS® Series 2 cable head 100 pair – disconnection modules
LSA-PLUS® HD180	
LSA-70141206-00	LSA-PLUS® HD180 cable head 100 pair – connection modules
Upon customer request	LSA-PLUS® HD180 cable head 100 pair – disconnection modules

## FlexCab metal street cabinet

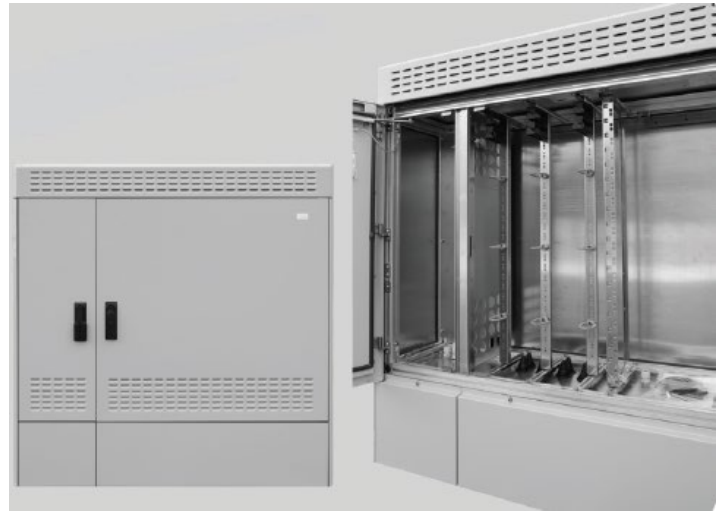
### Customized configuration

The FlexCab metal street cabinet, designed for FTTC applications, accommodates passive fiber and copper connectivity as well as electronic equipment.

The cabinet's basic design consists of:

- A small door with double locking option (to be equipped with profile cylinder locks)
- One small compartment to accommodate electronic equipment on a pre-installed mounting plate
- A large compartment suitable for a 19-inch or ETSI rack for installation of typical telecommunication panel equipment; space for copper connectivity racks
- Battery panel below the base plate
- Access to battery compartment only through door

The interior racks as well as entry points for copper and fiber cables can be designed according to customer specifications. FlexCab cabinets meet all the requirements for outdoor environments, such as weather-protection (heat, cold, moisture, water), protection against burglary, etc.



## Features & benefits

- Reversible frame, i.e. space for connection copper or fiber optic connection technology
- Battery holder below the base plate (in the lowering housing part)
- Roof with integrated fans (25 W/K at 45 dBA)
- Smaller door with a double lock is included to retrofit with half cylinder locks
- Profile construction for improved cooling performance
- 19-inch/ ETSI stainless steel frame for equipment mounting
- Burglar resistance (according to WK2 security standards)
- Removable cabinet body without interruption of service
- Level 1 - Passive climatization
  - Strong enhanced air channel between roof and wall
  - Enhanced air in- and outlet
- Level 2 - Active climatization roof fan
  - Roof fans increase air speed in space between outer and inner wall
  - Increased heat removal

- No ingress of dust or humidity into IP55 protected compartment
- Level 3 - Air-to-air heat exchanger
  - Absorbs heat of internal and external circulated air
  - Basic components include internal fan, outer fan, control board, connectors, temperature sensor
- Earth plinth
  - Made of stainless steel
  - Adjustable in height
  - Optimized for underground work
  - Size and screw holes adapted for design of other commercially available cabinets



Figure 2: FlexCab metal street cabinet

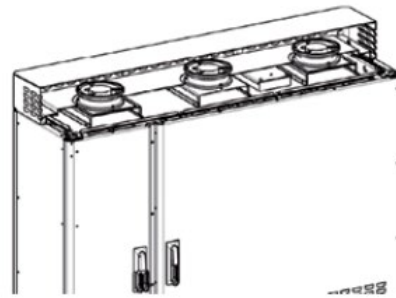


Figure 1: Illustration of the roof fans

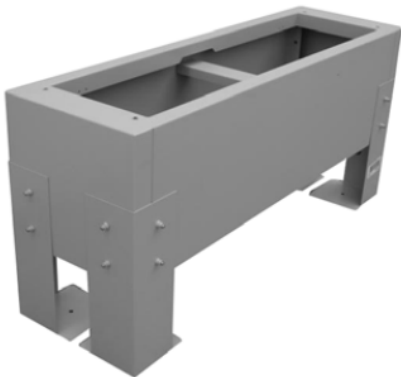


Figure 4: Earth Plinth

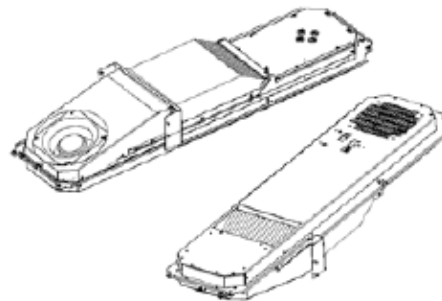


Figure 3: Air-to-air heat exchanger

## General attributes & mechanical characteristics

- Product specifications:
  - Dimensions (mm): H1400 x D420 x W1400
  - Material: Housing: Double-walled aluminum  
Inner frame: Powder-coated aluminum
  - Color: RAL 7038, anti-graffiti paint
  - Rack: 19"/ETSI rack
  - Openings angle door: 140°
  - Protection class: IP55

## Product offering – FlexCab metal street cabinet

Order Number	Description
Upon customer request	FlexCab metal street cabinet with customer specific configurations*

\* **Customization including cab size, accessories, climatization, etc.**



commscope.com

Visit our website or contact your local Commscope representative for more information.

© 2020 Commscope, Inc. All rights reserved.

Unless otherwise noted, all trademarks identified by ® or ™ are registered trademarks, respectively, of Commscope, Inc. This document is for planning purposes only and is not intended to modify or supplement any specifications or warranties relating to Commscope products or services. Commscope is committed to the highest standards of business integrity and environmental sustainability with a number of Commscope's facilities across the globe certified in accordance with international standards, including ISO 9001, TL 9000, and ISO 14001. Further information regarding Commscope's commitment can be found at [www.commscope.com/About-Us/Corporate-Responsibility-and-Sustainability](http://www.commscope.com/About-Us/Corporate-Responsibility-and-Sustainability).

PA-115304-EN (12/20)