

CA-TNFTM



Type N Female to TNC Male Adapter

Product Classification

Product Type Adapter

General Specifications

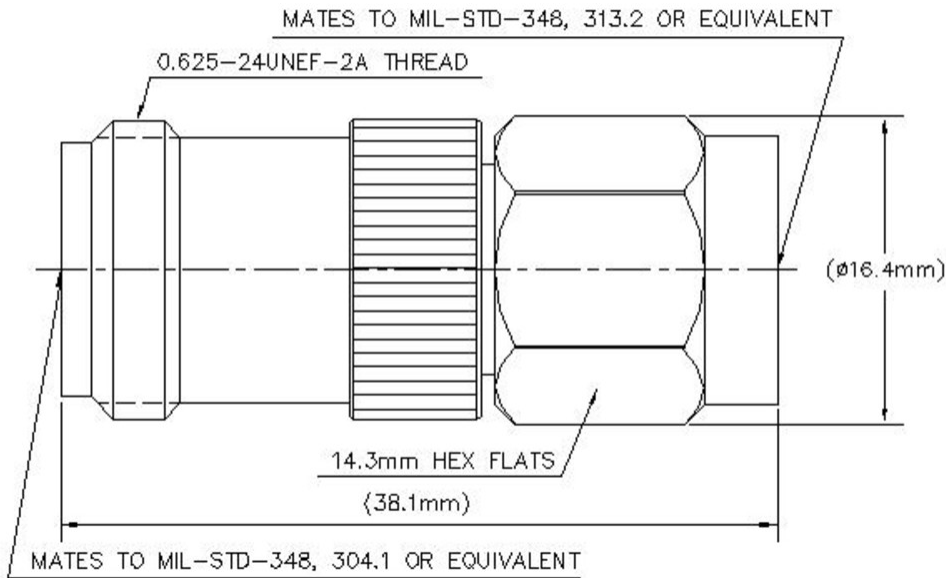
Body Style Straight
Inner Contact Plating Gold
Interface N Female
Interface 2 TNC Male
Mounting Angle Straight
Outer Contact Plating Trimetal
Pressurizable No

Dimensions

Width 16.4 mm | 0.646 in
Length 38.08 mm | 1.499 in
Diameter 16.4 mm | 0.646 in

Outline Drawing

CA-TNFTM



Electrical Specifications

Average Power at Frequency	300.0 W @ 900 MHz
Connector Impedance	50 ohm
dc Test Voltage	1500 V
Inner Contact Resistance, maximum	1.5 mOhm
Insulation Resistance, minimum	5000 MOhm
Operating Frequency Band	0 – 6000 MHz
Outer Contact Resistance, maximum	0.4 mOhm
Peak Power, maximum	5 kW
RF Operating Voltage, maximum (vrms)	500 V

VSWR/Return Loss

Frequency Band	VSWR	Return Loss (dB)
0-3000 MHz	1.046	32.97
3000-6000 MHz	1.146	23.35

Mechanical Specifications

Coupling Nut Proof Torque	1.7 N-m 15.046 in lb
Coupling Nut Proof Torque Method	IEC 61169-17:9.3.6
Coupling Nut Retention Force	445 N 100.04 lbf

CA-TNFTM

Coupling Nut Retention Force Method	IEC 61169-17:9.3.11
Insertion Force	28 N 6.295 lbf
Insertion Force Method	IEC 61169-17:9.3.5
Interface Durability	500 cycles
Interface Durability Method	IEC 61169-16:9.5 IEC 61169-17:9.5
Mechanical Shock Test Method	IEC 60068-2-27

Environmental Specifications

Operating Temperature	-55 °C to +85 °C (-67 °F to +185 °F)
Storage Temperature	-65 °C to +125 °C (-85 °F to +257 °F)
Attenuation, Ambient Temperature	20 °C 68 °F
Average Power, Ambient Temperature	40 °C 104 °F
Average Power, Inner Conductor Temperature	100 °C 212 °F
Climatic Sequence Test Method	IEC 60068-1
Corrosion Test Method	IEC 60068-2-11
Damp Heat Steady State Test Method	IEC 60068-2-3
Immersion Depth	1 m
Immersion Test Mating	Mated
Immersion Test Method	IEC 60529:2001, IP68
Thermal Shock Test Method	IEC 60068-2-14
Vibration Test Method	IEC 60068-2-6

Packaging and Weights

Weight, net	40.63 g 0.09 lb
--------------------	-------------------

Regulatory Compliance/Certifications

Agency	Classification
CHINA-ROHS	Below maximum concentration value
ISO 9001:2015	Designed, manufactured and/or distributed under this quality management system
REACH-SVHC	Compliant as per SVHC revision on www.commscope.com/ProductCompliance
ROHS	Compliant
UK-ROHS	Compliant



CA-TNFTM

* Footnotes

Immersion Depth Immersion at specified depth for 24 hours