

CA-TNFDF



Type N Female to 7-16 DIN Female Adapter

Product Classification

Product Type Adapter

General Specifications

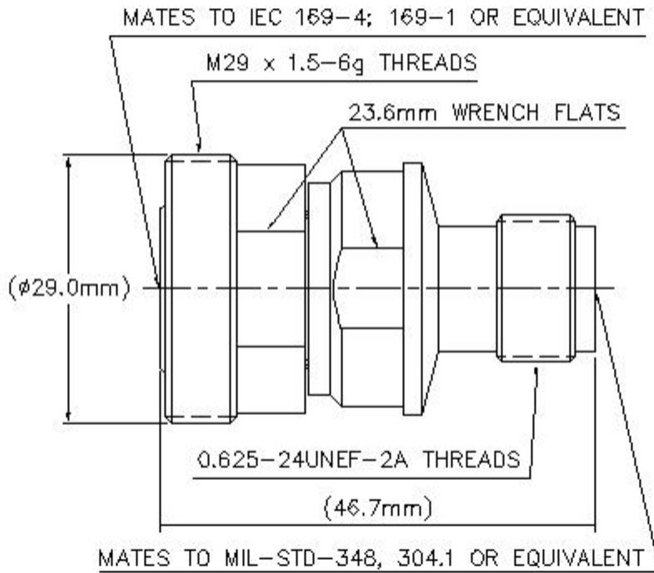
Body Style Straight
Inner Contact Plating Silver
Interface N Female
Interface 2 7-16 DIN Female
Mounting Angle Straight
Outer Contact Plating Trimetal
Pressurizable No

Dimensions

Width 23.62 mm | 0.93 in
Length 46.74 mm | 1.84 in
Diameter 23.62 mm | 0.93 in

Outline Drawing

CA-TNFDF



Electrical Specifications

Average Power at Frequency	600.0 W @ 900 MHz
Connector Impedance	50 ohm
dc Test Voltage	2500 V
Inner Contact Resistance, maximum	1.5 mOhm
Insulation Resistance, minimum	5000 MOhm
Operating Frequency Band	0 – 6000 MHz
Outer Contact Resistance, maximum	0.4 mOhm
Peak Power, maximum	10 kW
RF Operating Voltage, maximum (vrms)	707 V

VSWR/Return Loss

Frequency Band	VSWR	Return Loss (dB)
0-3000 MHz	1.032	36.06
3000-6000 MHz	1.135	23.98

Mechanical Specifications

Insertion Force	200 N 44.962 lbf
Insertion Force Method	IEC 61169-16:9.3.5
Interface Durability	500 cycles

CA-TNFDF

Interface Durability Method	IEC 61169-16:9.5 IEC 61169-4:17
Mechanical Shock Test Method	IEC 60068-2-27

Environmental Specifications

Operating Temperature	-55 °C to +85 °C (-67 °F to +185 °F)
Storage Temperature	-65 °C to +125 °C (-85 °F to +257 °F)
Attenuation, Ambient Temperature	20 °C 68 °F
Average Power, Ambient Temperature	40 °C 104 °F
Average Power, Inner Conductor Temperature	100 °C 212 °F
Climatic Sequence Test Method	IEC 60068-1
Corrosion Test Method	IEC 60068-2-11
Damp Heat Steady State Test Method	IEC 60068-2-3
Immersion Depth	1 m
Immersion Test Mating	Mated
Immersion Test Method	IEC 60529:2001, IP68
Thermal Shock Test Method	IEC 60068-2-14
Vibration Test Method	IEC 60068-2-6

Packaging and Weights

Weight, net	113 g 0.249 lb
--------------------	------------------

Regulatory Compliance/Certifications

Agency	Classification
ISO 9001:2015	Designed, manufactured and/or distributed under this quality management system

* Footnotes

Immersion Depth	Immersion at specified depth for 24 hours
------------------------	---