

CA-NMNM



Type N Male to Type N Male Adapter

Product Classification

Product Type Adapter

General Specifications

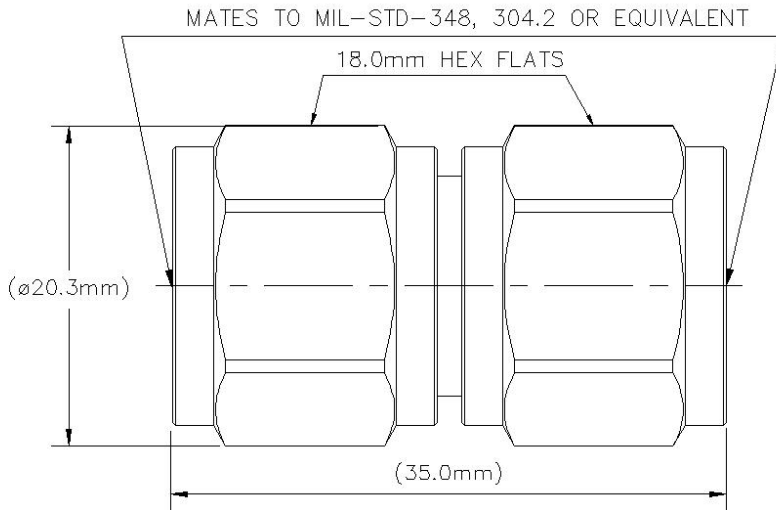
Body Style Straight
Inner Contact Plating Silver
Interface N Male
Interface 2 N Male
Mounting Angle Straight
Outer Contact Plating Trimetal

Dimensions

Width 20.25 mm | 0.797 in
Length 35 mm | 1.378 in
Diameter 20.62 mm | 0.812 in

Outline Drawing

CA-NMNM



Electrical Specifications

| | |
|---|--------------|
| Connector Impedance | 50 ohm |
| dc Test Voltage | 2500 V |
| Inner Contact Resistance, maximum | 1 mOhm |
| Insulation Resistance, minimum | 5000 MOhm |
| Operating Frequency Band | 0 – 6000 MHz |
| Outer Contact Resistance, maximum | 0.25 mOhm |
| Peak Power, maximum | 10 kW |
| RF Operating Voltage, maximum (vrms) | 707 V |

VSWR/Return Loss

| Frequency Band | VSWR | Return Loss (dB) |
|----------------|-------|------------------|
| 0–3000 MHz | 1.02 | 40.09 |
| 3000–6000 MHz | 1.036 | 35.05 |

Mechanical Specifications

| | |
|----------------------------------|------------------------|
| Coupling Nut Proof Torque | 1.7 N-m 15.046 in lb |
|----------------------------------|------------------------|

CA-NMNM

| | |
|--|---------------------|
| Coupling Nut Proof Torque Method | IEC 61169-16:9.3.6 |
| Coupling Nut Retention Force | 450 N 101.164 lbf |
| Coupling Nut Retention Force Method | IEC 61169-16:9.3.11 |
| Interface Durability | 500 cycles |
| Interface Durability Method | IEC 61169-16:9.5 |
| Mechanical Shock Test Method | IEC 60068-2-27 |

Environmental Specifications

| | |
|---|---------------------------------------|
| Operating Temperature | -55 °C to +85 °C (-67 °F to +185 °F) |
| Storage Temperature | -65 °C to +125 °C (-85 °F to +257 °F) |
| Attenuation, Ambient Temperature | 20 °C 68 °F |
| Average Power, Ambient Temperature | 40 °C 104 °F |
| Average Power, Inner Conductor Temperature | 100 °C 212 °F |
| Climatic Sequence Test Method | IEC 60068-1 |
| Corrosion Test Method | IEC 60068-2-11 |
| Damp Heat Steady State Test Method | IEC 60068-2-3 |
| Immersion Depth | 1 m |
| Immersion Test Mating | Mated |
| Immersion Test Method | IEC 60529:2001, IP68 |
| Thermal Shock Test Method | IEC 60068-2-14 |
| Vibration Test Method | IEC 60068-2-6 |

Packaging and Weights

| | |
|--------------------|--------------------|
| Weight, net | 46.79 g 0.103 lb |
|--------------------|--------------------|

Regulatory Compliance/Certifications

| Agency | Classification |
|---------------|--|
| CHINA-ROHS | Below maximum concentration value |
| ISO 9001:2015 | Designed, manufactured and/or distributed under this quality management system |
| REACH-SVHC | Compliant as per SVHC revision on www.commscope.com/ProductCompliance |
| ROHS | Compliant |
| UK-ROHS | Compliant |



CA-NMNM

* Footnotes

Immersion Depth Immersion at specified depth for 24 hours