

HFTP Customer premises fiber wall outlet, LC/APC, no pigtails, one adapter

- Compact fiber wall outlet for use at the final fiber termination point in the customer premises
- Can be wall mounted and mounted on wall boxes with fixation points of 60mm
- Direct termination with field installable connectors
- Laser safe with in-built individual shutters

## Product Classification

<b>Regional Availability</b>	EMEA
<b>Product Type</b>	Outlet
<b>Product Series</b>	HFTP
<b>Minimum Order Quantity</b>	300

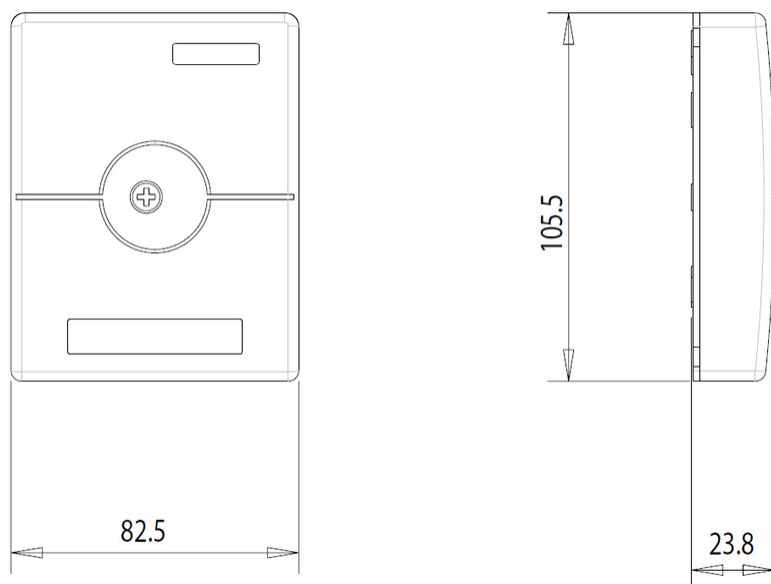
## General Specifications

<b>Color</b>	White
<b>Cover Type</b>	Screw-on
<b>Interface Type</b>	LC/APC
<b>Mounting</b>	Wall mount
<b>Total Ports, quantity</b>	2

## Dimensions

<b>Height</b>	105.41 mm   4.15 in
<b>Width</b>	82.55 mm   3.25 in
<b>Depth</b>	23.876 mm   0.94 in

## Outline Drawing



## Material Specifications

**Material Type** LSZH Thermoplastic

## Optical Specifications

**Fiber Mode** Singlemode

## Environmental Specifications

**Storage Temperature** -30 °C to +60 °C (-22 °F to +140 °F)

**Relative Humidity** Up to 93%, non-condensing

**Environmental Space** Indoor

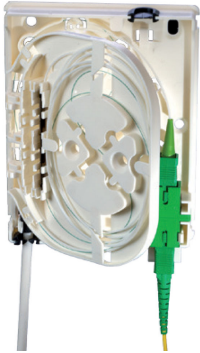
## Packaging and Weights

**Packaging quantity** 10

## Included Products

CK7246-000 – HFTP Customer premises fiber wall outlet, no adapters, no pigtails, for splicing  
HFTP-N0-NN00-E only

# CK7246-000 | HFTP-NO-NN00-E



HFTP Customer premises fiber wall outlet, no adapters, no pigtails, for splicing only

- Compact fiber wall outlet for use at the final fiber termination point in the customer premises
- Can be wall mounted and mounted on wall boxes with fixation points of 60mm
- Direct termination with field installable connectors
- Laser safe with in-built individual shutters

## Product Classification

<b>Regional Availability</b>	EMEA
<b>Product Type</b>	Outlet
<b>Product Series</b>	HFTP
<b>Minimum Order Quantity</b>	300

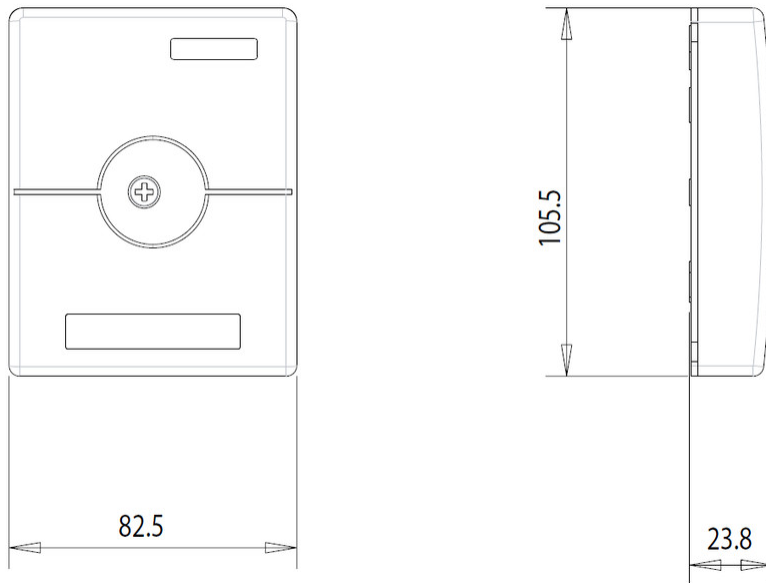
## General Specifications

<b>Color</b>	White
<b>Cover Type</b>	Screw-on
<b>Interface Type</b>	Unloaded
<b>Mounting</b>	Wall mount
<b>Port Capacity, maximum</b>	4
<b>Total Ports, quantity</b>	0

## Dimensions

<b>Height</b>	105.41 mm   4.15 in
<b>Width</b>	82.55 mm   3.25 in
<b>Depth</b>	23.876 mm   0.94 in

## Outline Drawing



## Material Specifications

**Material Type** LSZH Thermoplastic

## Optical Specifications

**Fiber Mode** Singlemode

## Environmental Specifications

**Storage Temperature** -30 °C to +60 °C (-22 °F to +140 °F)

**Relative Humidity** Up to 93%, non-condensing

**Environmental Space** Indoor

## Packaging and Weights

**Packaging quantity** 10

## Regulatory Compliance/Certifications

Agency	Classification
CHINA-ROHS	Below maximum concentration value
REACH-SVHC	Compliant as per SVHC revision on <a href="http://www.commscope.com/ProductCompliance">www.commscope.com/ProductCompliance</a>
ROHS	Compliant

