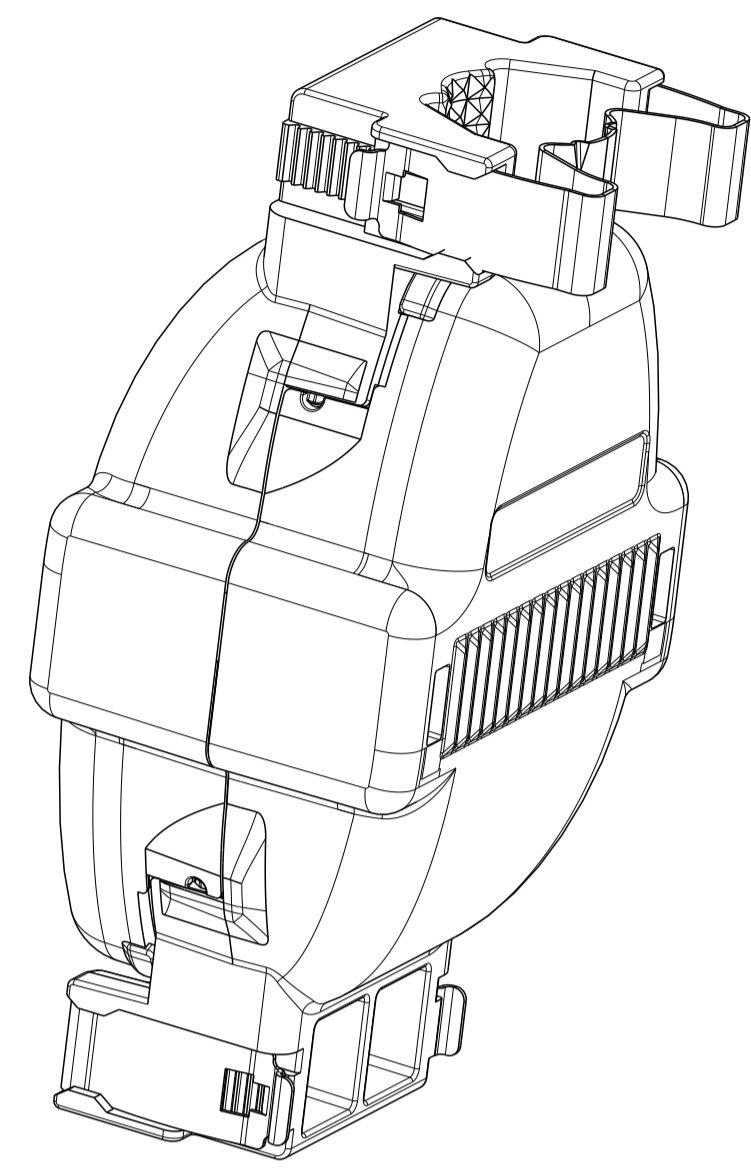


10 REVISIONS			
REV	CMO	DATE	APPROVED
A	40118461CMO	29SEP2020	TA
B	40121676CMO	18NOV2020	TA

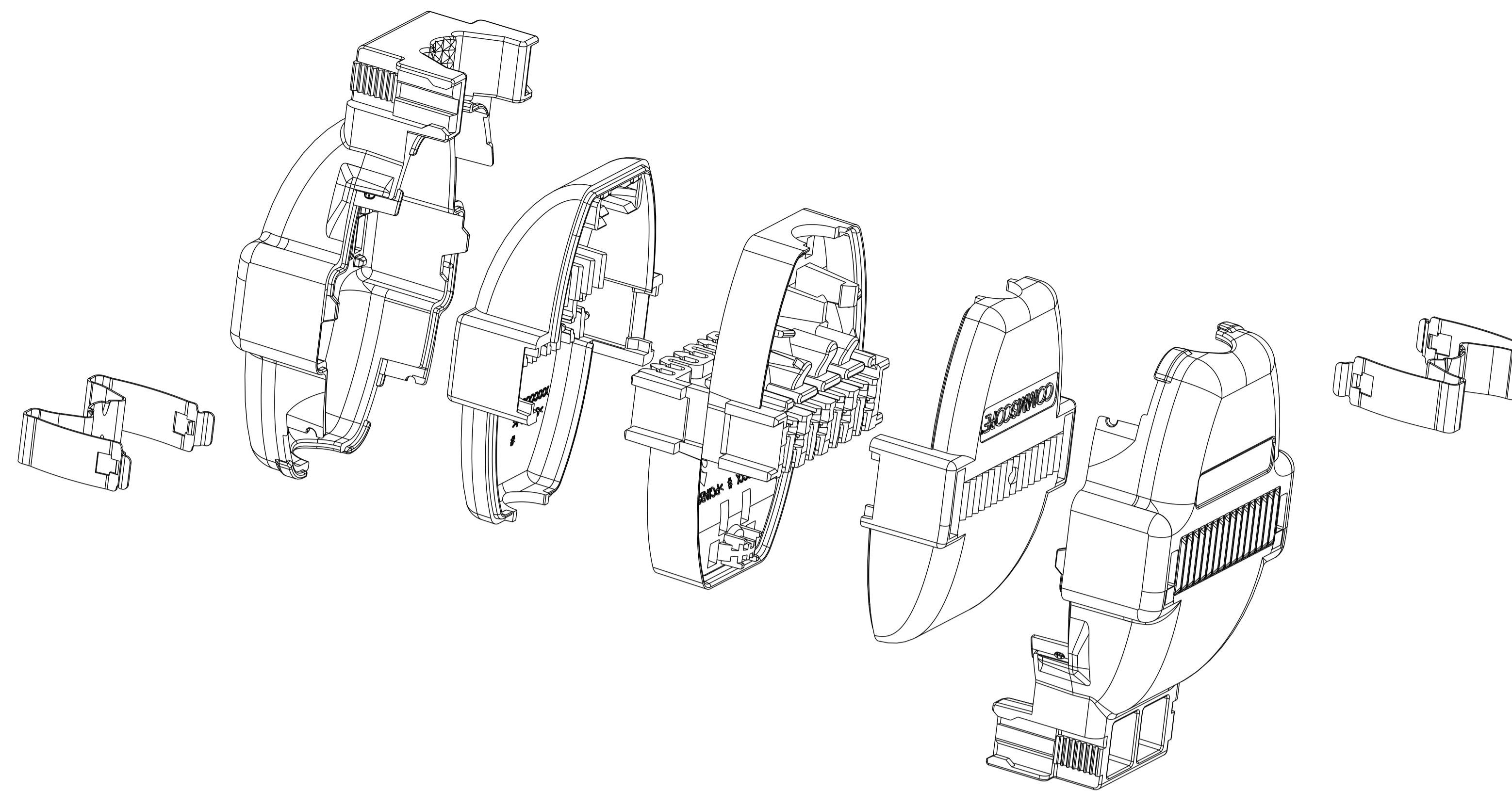
NOTES:

- SEE COMMSCOPE CATALOG FOR COMPLETE LIST OF PARTS RELATED TO THE USE OF THIS PRODUCT.
- DIMENSIONS ARE IN INCHES [MM].
- PARTS INCLUDED:
KIT CONTAINS 5 PACKAGED CONNECTORS

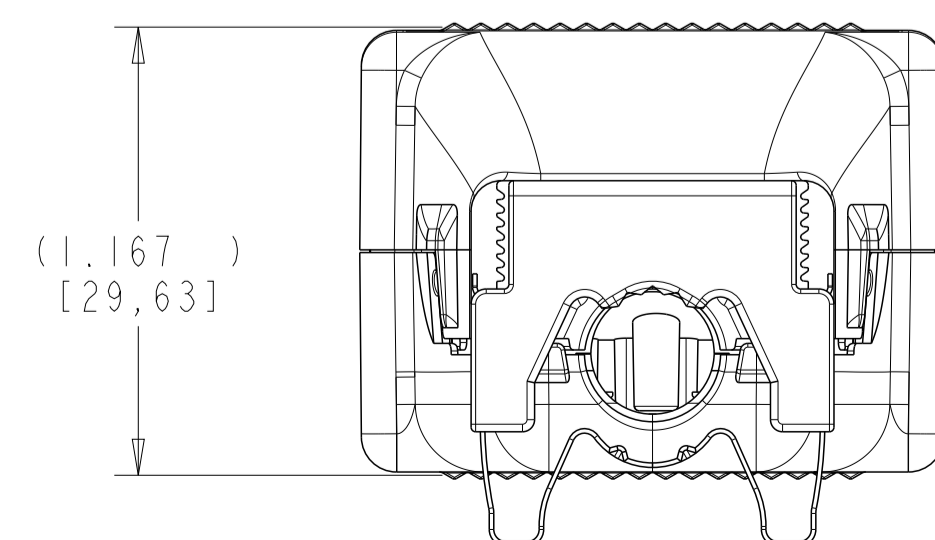
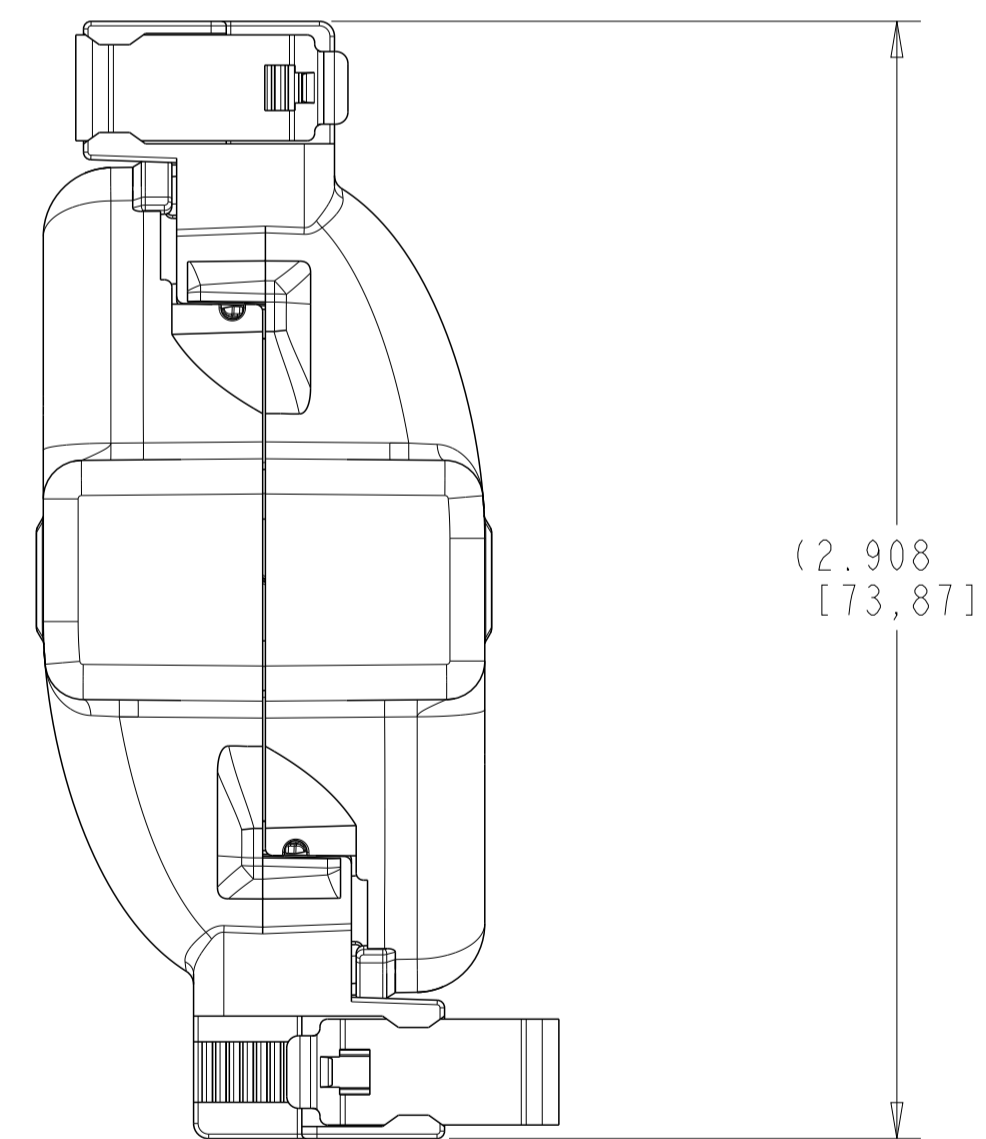
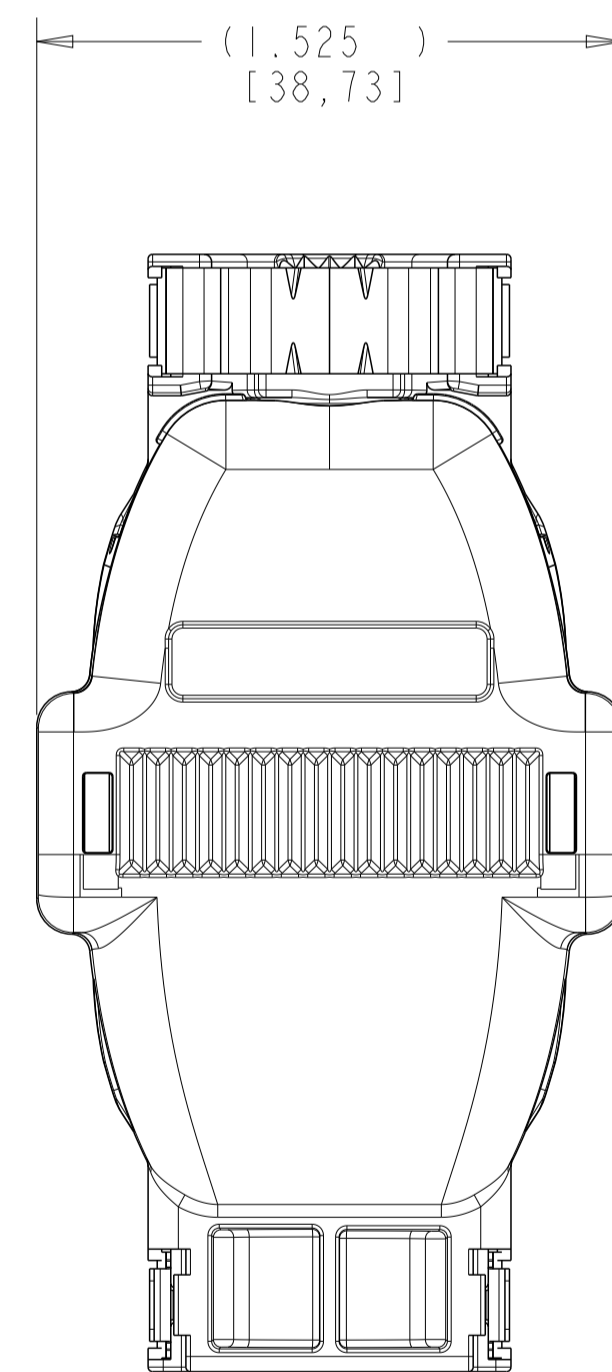
EACH CONNECTOR CONTAINS THE FOLLOWING:
(1 PC) ASSEMBLY, CEILING CONNECTOR, WHITE
(2 PC) CAP, CEILING CONNECTOR, WHITE
(2 PC) SHIELDS, DIE CAST, PLATED ZINC
(2 PC) CONTACT, SPRING, STAINLESS STEEL



ASSEMBLED VIEW



EXPLODED VIEW



COMMSCOPE, INC.			
DRAFTER G. GARRETT	TITLE SHIELDED CEILING CONNECTOR, PACK OF 5		
ENGINEER T. ANDERSON	SIZE A1	SCALE 2.000	DOCUMENT NO. 760250028
CUSTOMER DRAWING			REVISION SHEET B 1 OF 1