

SDX1926T-43 | E14F05P85



Ultra Compact Twin Diplexer PCS/AWS+WCS+BRS, DC AWS/WCS/BRS, 4.3-10

- Twin configuration
- Ideal for small cell applications
- DC/AISG pass on 1695-1780/2110-2700 MHz
- New 4.3-10 connectors for improved PIM performance and size reduction
- Industry leading PIM performance
- BTS-to-feeder and feeder-to-antenna application

Product Classification

Product Type Diplexer

General Specifications

Color Gray

Common Port Label Common

Modularity 2-Twin

RF Connector Interface 4.3-10 Female

RF Connector Interface Body Style Long neck

Dimensions

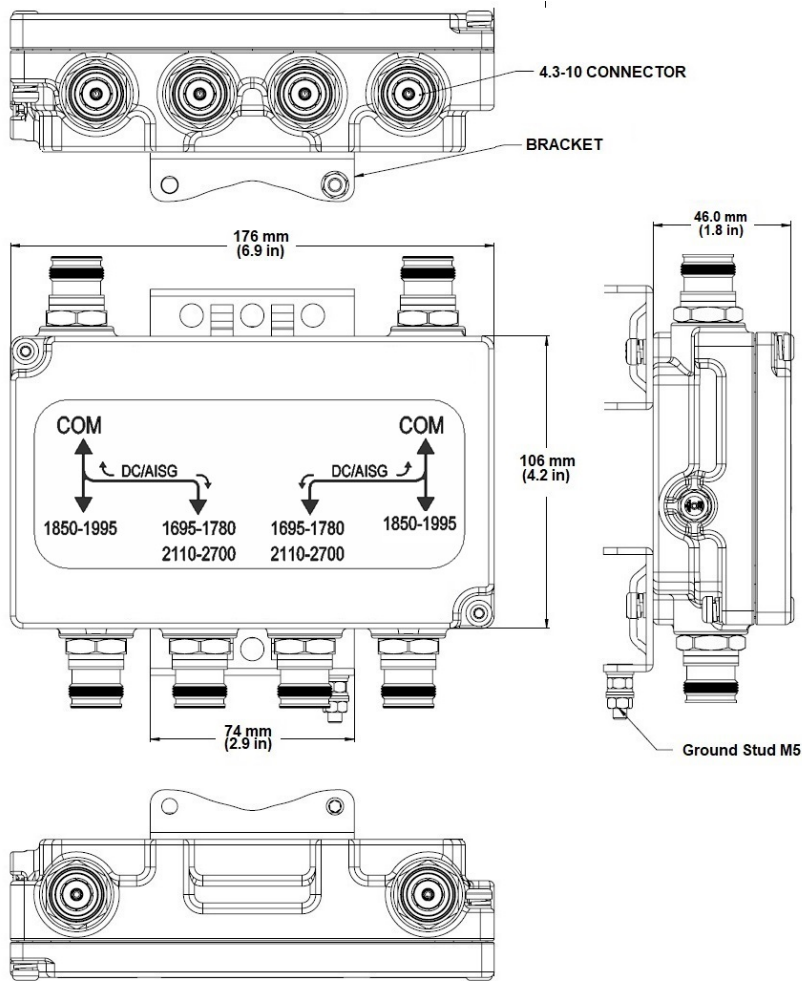
Height 106 mm | 4.173 in

Width 176 mm | 6.929 in

Depth 46 mm | 1.811 in

Outline Drawing

SDX1926T-43 | E14F05P85



Electrical Specifications

Impedance	50 ohm
License Band, Band Pass	AWS 1700 IMT 2600 PCS 1900 TDD 1900 TDD 2600 WCS 2300

Electrical Specifications, dc Power/Alarm

dc/AISG Pass-through Method	Factory set
dc/AISG Pass-through Path	Branch 2
dc/AISG Pass-through, combiner	Branch 2
dc/AISG Pass-through, demultiplexer	Branch 2
Lightning Surge Current	5 kA
Lightning Surge Current Waveform	8/20 waveform
Voltage	7–30 Vdc

SDX1926T-43 | E14F05P85

Electrical Specifications, AISG

AISG Carrier 2176 KHz ± 100 ppm

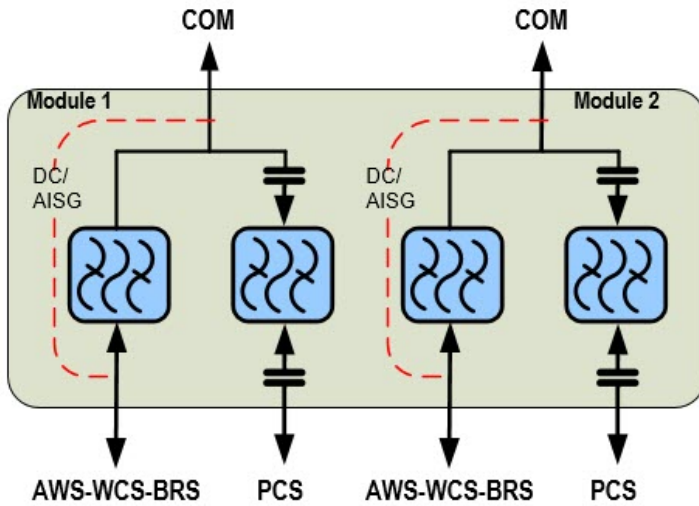
Electrical Specifications

Sub-module	1 2	1 2
Branch	1	2
Port Designation	PCS	AWS-WCS-BRS
License Band	PCS 1900, Band Pass	WCS 2300, Band Pass AWS 1700, Band Pass TDD 2600, Band Pass IMT 2600, Band Pass

Electrical Specifications, Band Pass

Frequency Range, MHz	1850-1995	1695-1780 2110-2700
Insertion Loss, typical, dB	0.2	0.15
Total Group Delay, maximum, ns	15	15
Return Loss, typical, dB	22	22
Isolation, typical, dB	42	42
Input Power, RMS, maximum, W	100	100
Input Power, PEP, maximum, W	1500	1500
3rd Order PIM, minimum, dBc	-161	-161
3rd Order PIM Test Method	2 x 20 W CW tones	2 x 20 W CW tones

Block Diagram



Mechanical Specifications

Wind Loading @ Velocity, frontal	24.0 N @ 150 km/h (5.4 lbf @ 150 km/h)
Wind Loading @ Velocity, lateral	4.0 N @ 150 km/h (0.9 lbf @ 150 km/h)

Environmental Specifications

Operating Temperature	-40 °C to +65 °C (-40 °F to +149 °F)
Relative Humidity	Up to 100%
Corrosion Test Method	IEC 60068-2-11, 30 days
Ingress Protection Test Method	IEC 60529:2001, IP67

Packaging and Weights

Mounting Hardware Weight	0.2 kg 0.441 lb
Volume	0.9 L
Weight, without mounting hardware	1.7 kg 3.748 lb

Regulatory Compliance/Certifications

Agency	Classification
CHINA-ROHS	Above maximum concentration value
ROHS	Compliant/Exempted
UK-ROHS	Compliant



