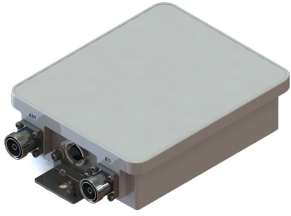


IMF-7BC8A-RJ7A8B | E15V86P29



Interference Mitigation Filter for 700MHz B&C blocks and 850MHz A block, DC Blocking

- dc/AISG blocking on all ports (DC grounded)

Product Classification

Product Type Interference mitigation filter

General Specifications

Color Gray

Modularity 1-Single

Mounting Pipe Hardware Band clamps (2)

RF Connector Interface 7-16 DIN Female

Dimensions

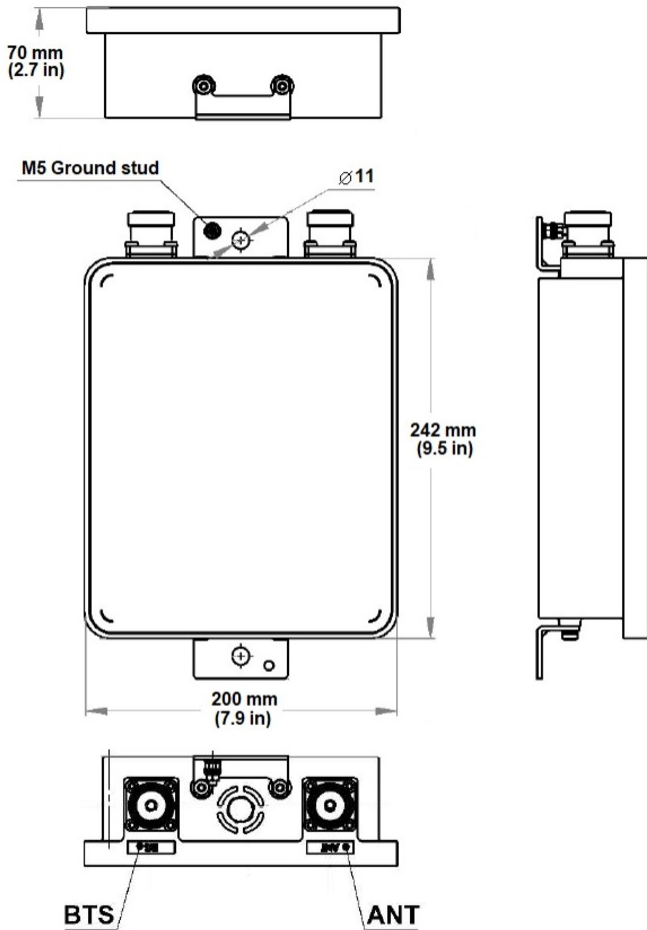
Height 242 mm | 9.528 in

Width 200 mm | 7.874 in

Depth 70 mm | 2.756 in

Outline Drawing

IMF-7BC8A-RJ7A8B | E15V86P29



Electrical Specifications, dc Power/Alarm

Lightning Surge Current	8 kA
Lightning Surge Current Waveform	8/20 waveform

Electrical Specifications

Sub-module	1	1	1	1
Port Designation	RX 700	TX 700	RX 850	TX 850
License Band	USA 700, Band Pass	USA 700, Band Pass	CEL 850, Band Pass	CEL 850, Band Pass

Electrical Specifications, Band Pass

Frequency Range, MHz	704.5–713.5	734.55–743.5	824.25–833.92	869.25–878.92
Insertion Loss, maximum, dB	2	0.3	1.8	0.3

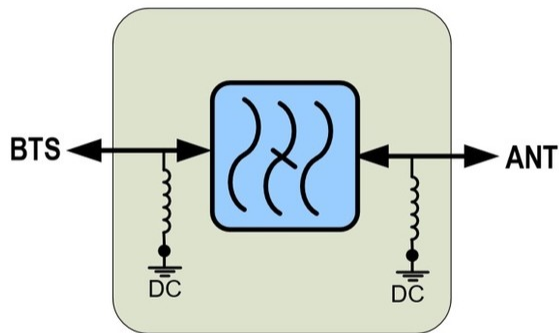
IMF-7BC8A-RJ7A8B | E15V86P29

Insertion Loss, typical, dB	0.4	0.2	0.6	0.2
Total Group Delay, maximum, ns	550	15	185	15
Return Loss, minimum, dB	18	18	18	18
Input Power, RMS, maximum, W		40		40
Input Power, PEP, maximum, W		500		500
3rd Order PIM, minimum, dBc		-155		-155
3rd Order PIM Test Method		2 x 20 W CW tones		2 x 20 W CW tones

Electrical Specifications, Band Reject

Frequency Range, MHz	835.905–848.715	699.25–703.75
Attenuation, minimum, dB	30	30

Block Diagram



DC/AISG blocking (DC Grounded)

Environmental Specifications

Operating Temperature	-40 °C to +65 °C (-40 °F to +149 °F)
Relative Humidity	Up to 100%
Ingress Protection Test Method	IEC 60529:2001, IP67

Packaging and Weights

Included	Mounting hardware
Mounting Hardware Weight	0.2 kg 0.441 lb

IMF-7BC8A-RJ7A8B | E15V86P29

Weight, without mounting hardware

4.3 kg | 9.48 lb

