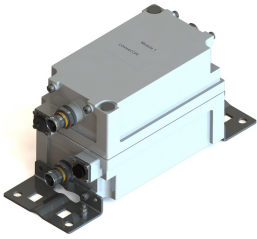


E14R00P46



Tower Mounted Amplifier, Dual 700 MHz with AISG 2.0, with 4.3-10 connectors

- TMA is operating in AISG & CWA mode, Alarm Current consumption CWA mode 190 mA
- Designed to boost UP-Link Coverage and KPIs
- RET interface to control antenna RET actuators with AISG standard
- Single AISG with 1 RET connector
- Automatic LNA by-pass function
- Built in lightning protection
- Connectors "in line"
- 2 input ports and 2 output ports

Product Classification

Product Type 1-BTS:1-ANT (Uniplex) | Tower mounted amplifier

General Specifications

Color Gray

Modularity 2-Twin

Mounting Pole | Wall

Mounting Pipe Hardware Band clamps (2)

RF Connector Interface 4.3-10 Female

Dimensions

Height 119 mm | 4.685 in

Width 200 mm | 7.874 in

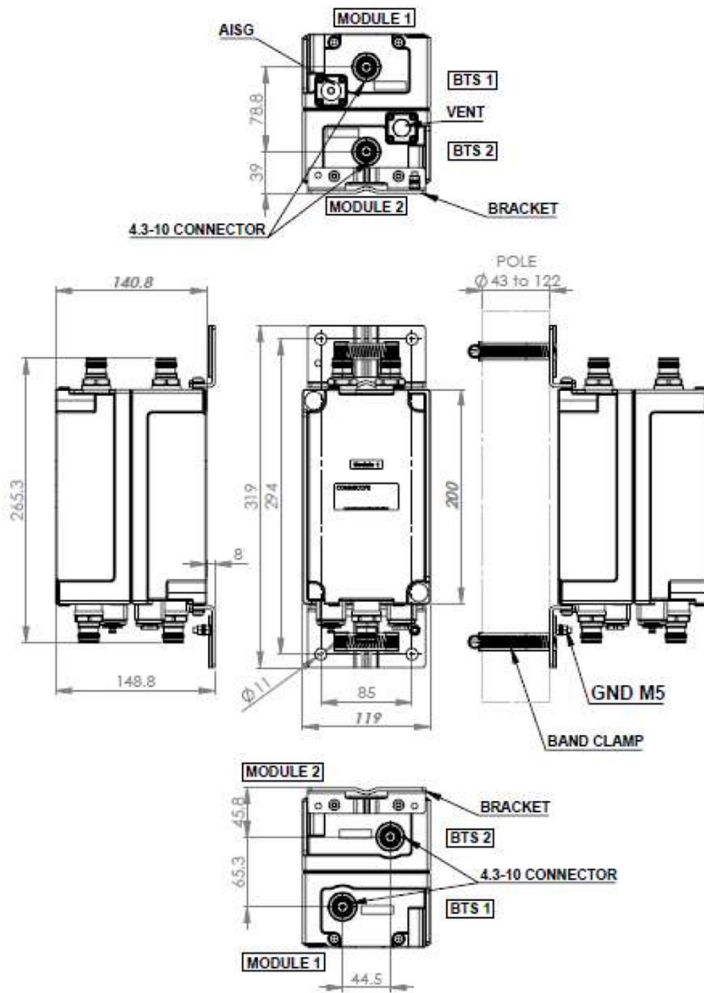
Depth 141 mm | 5.551 in

Ground Screw Diameter 8 mm | 0.315 in

Mounting Pipe Diameter Range 40–160 mm

Outline Drawing

E14R00P46



Electrical Specifications

License Band, LNA APT 700 | DCS 1800

Electrical Specifications, dc Power/Alarm

Lightning Surge Current 10 kA
Lightning Surge Current Waveform 8/20 waveform
Operating Current at Voltage 240 mA @ 12 V

Electrical Specifications, AISG

AISG Connector 8-pin DIN Female
AISG Connector Standard IEC 60130-9
Protocol AISG 2.0

E14R00P46

Voltage, AISG Mode

10–30 Vdc

Electrical Specifications

Sub-module	1 2
Branch	1
Port Designation	ANT
License Band	APT 700, LNA
Return Loss, typical, dB	20
Return Loss - Bypass Mode, typical, dB	14

Electrical Specifications Rx (Uplink)

Frequency Range, MHz	703–733
Bandwidth, MHz	30
Gain, nominal, dB	12
Gain Tolerance, dB	±1
Noise Figure, maximum, dB	2
Noise Figure, typical, dB	1.8
Group Delay Variation, maximum, ns	50
Group Delay Variation Bandwidth, MHz	5
Total Group Delay, maximum, ns	130
Return Loss, minimum, dB	18
Insertion Loss - Bypass Mode, typical, dB	2.5

Electrical Specifications Tx (Downlink)

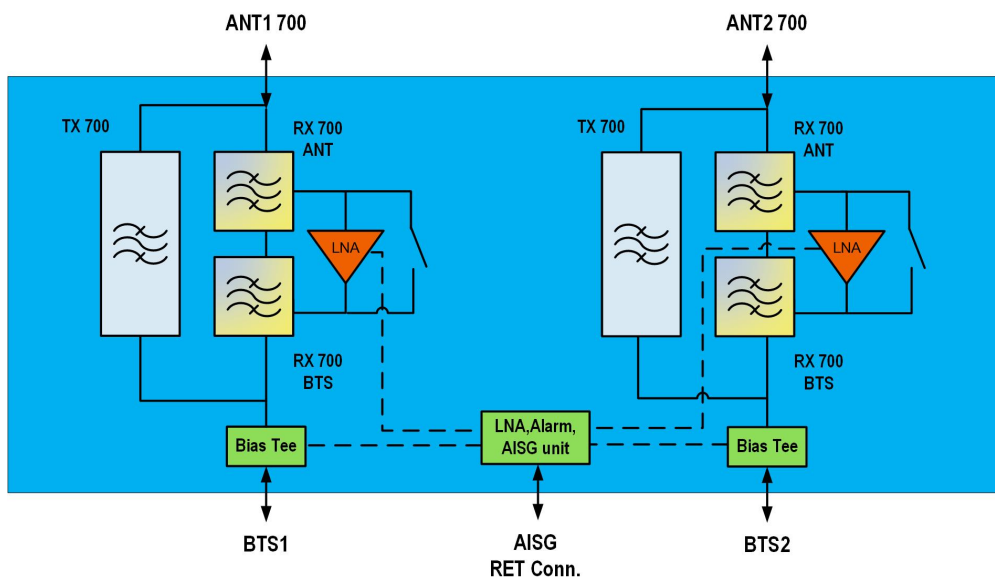
Frequency Range, MHz	758–788
Bandwidth, MHz	30
Insertion Loss, maximum, dB	0.7
Insertion Loss, typical, dB	0.5
Group Delay Variation, maximum, ns	10
Group Delay Variation Bandwidth, MHz	5
Total Group Delay, maximum,	50

E14R00P46

ns

Return Loss, minimum, dB	18
Return Loss, typical, dB	21
Input Power, RMS, maximum, W	200
Input Power, PEP, maximum, W	2000
3rd Order PIM, typical, dBc	-161
3rd Order PIM Test Method	Two +43 dBm carriers

Block Diagram



Material Specifications

Finish Painted

Environmental Specifications

Operating Temperature -40 °C to +65 °C (-40 °F to +149 °F)

Relative Humidity Up to 100%

Corrosion Test Method IEC 60068-2-11, 30 days

Ingress Protection Test Method IEC 60529:2001, IP67

Packaging and Weights

Included Mounting hardware

E14R00P46

Volume	3.4 L
Weight, net	5.1 kg 11.244 lb
Weight, without mounting hardware	4.8 kg 10.582 lb

Regulatory Compliance/Certifications

Agency	Classification
ISO 9001:2015	Designed, manufactured and/or distributed under this quality management system



* Footnotes

License Band, LNA	License Bands that have RxUplink amplification
--------------------------	--