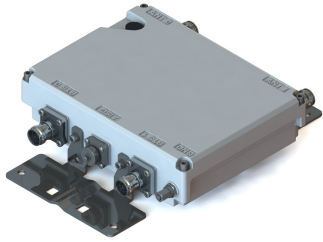


E14R00P06



Tower Mounted Amplifier, Dual 2600 MHz with AISG, with 4.3-10 connectors

- Industry leading PIM performance
- New 4.3-10 connectors for improved PIM performance and size reduction
- TMA is operating in AISG & CWA mode, Alarm Current consumption CWA mode 190 mA
- Designed to boost UP-Link Coverage and KPIs
- RET interface to control antenna RET actuators with AISG standard
- Single AISG with 1 RET connector
- Automatic LNA by-pass function
- Built in lightning protection
- 1 device with 2 sub-units
- Connectors "in line"
- 2 input ports and 2 output ports

Product Classification

Product Type 1-BTS:1-ANT (Uniplex) | Tower mounted amplifier

General Specifications

Color Gray

Modularity 2-Twin

Mounting Pole | Wall

Mounting Pipe Hardware Band clamps (2)

RF Connector Interface 4.3-10 Female

RF Connector Interface Body Style Long neck

Dimensions

Height 175 mm | 6.89 in

Width 231 mm | 9.094 in

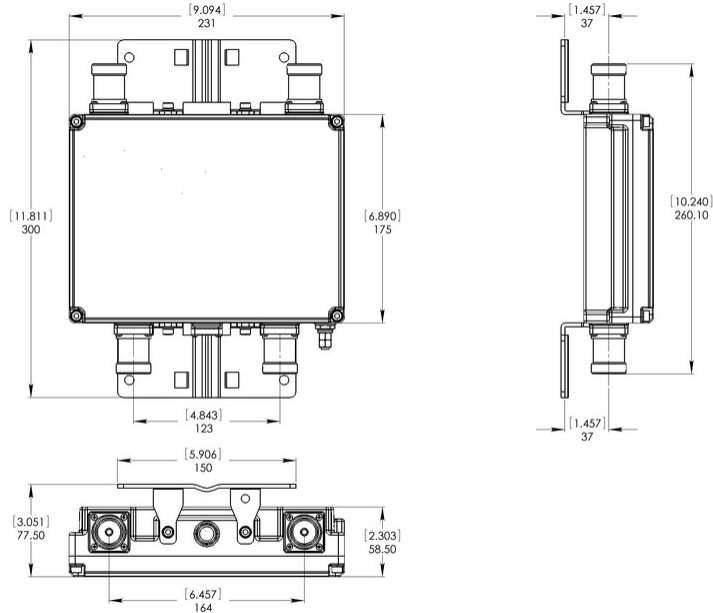
Depth 58.5 mm | 2.303 in

Ground Screw Diameter 8 mm | 0.315 in

Mounting Pipe Diameter Range 40–160 mm

Outline Drawing

E14R00P06



Electrical Specifications

License Band, LNA IMT 2600

Electrical Specifications, dc Power/Alarm

dc Switching/Redundancy Yes

Lightning Surge Current 10 kA

Lightning Surge Current Waveform 8/20 waveform

Operating Current at Voltage 100 mA @ 12 V

Operating Current Tolerance ± 15 mA

Voltage 7–30 Vdc

Alarm Current, CWA Mode 185 mA ± 10 mA

Electrical Specifications, AISG

AISG Connector 8-pin DIN Female

AISG Connector Standard IEC 60130-9

Protocol AISG 2.0

Voltage, AISG Mode 10–30 Vdc

E14R00P06

Electrical Specifications

Sub-module	1 2
Branch	1
Port Designation	ANT
License Band	IMT 2600, LNA
Return Loss - Bypass Mode, typical, dB	16
TX Band Rejection, minimum, dB	45

Electrical Specifications Rx (Uplink)

Frequency Range, MHz	2500–2570
Bandwidth, MHz	70
Gain, nominal, dB	12
Gain Tolerance, dB	±1
Noise Figure, maximum, dB	1.6
Noise Figure, typical, dB	1.5
Group Delay Variation, maximum, ns	20
Group Delay Variation Bandwidth, MHz	5
Output IP3, minimum, dBm	25
Return Loss, minimum, dB	18
Insertion Loss - Bypass Mode, typical, dB	2.5

Electrical Specifications Tx (Downlink)

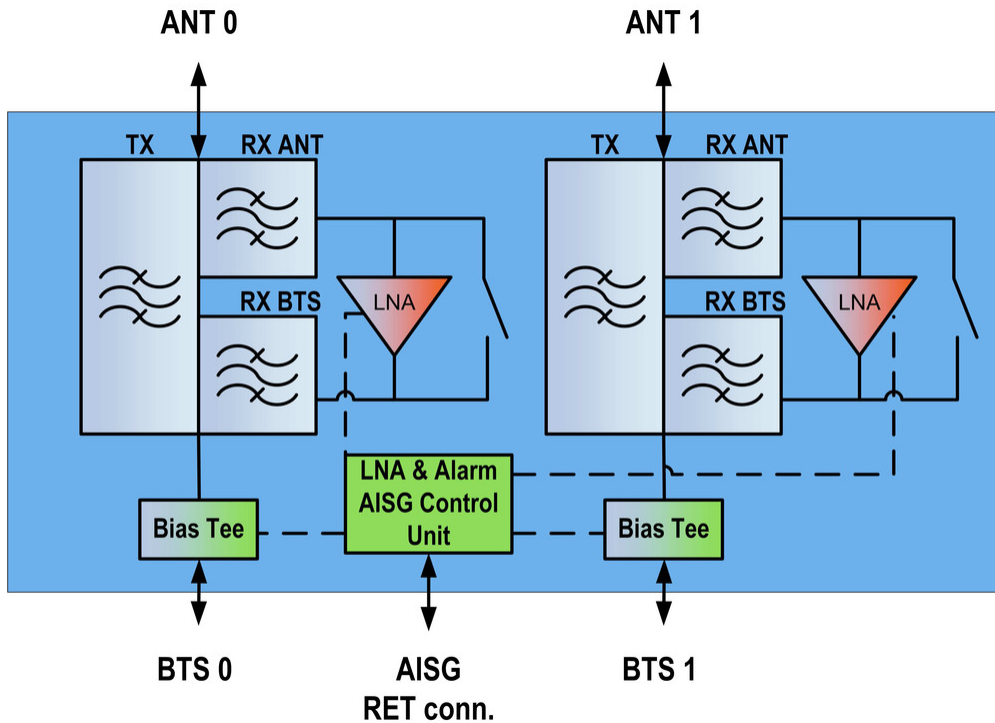
Frequency Range, MHz	2620–2690
Bandwidth, MHz	70
Insertion Loss, maximum, dB	0.5
Insertion Loss, typical, dB	0.3
Insertion Loss Ripple, maximum, dB	0.1
Group Delay Variation, maximum, ns	10
Group Delay Variation Bandwidth, MHz	5
Return Loss, minimum, dB	18

E14R00P06

Input Power, RMS, maximum, W	160
Input Power, PEP, maximum, W	2500
3rd Order PIM, typical, dBc	-160
3rd Order PIM Test Method	Two +43 dBm carriers

E14R00P06

Block Diagram



Material Specifications

Finish Painted

Mechanical Specifications

Wind Speed, maximum 198 km/h (123 mph)

Environmental Specifications

Operating Temperature -40 °C to +65 °C (-40 °F to +149 °F)

Relative Humidity Up to 100%

Corrosion Test Method IEC 60068-2-11, 30 days

Ingress Protection Test Method IEC 60529:2001, IP67

Packaging and Weights

Included Mounting hardware

Volume 2.3 L

Weight, net 4 kg | 8.818 lb

E14R00P06

* Footnotes

License Band, LNA License Bands that have RxUplink amplification