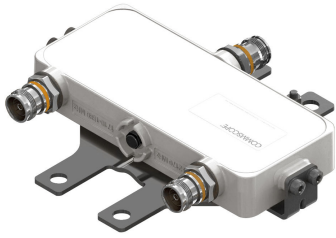


E14F06P03



Ultra Compact Single Diplexer 1800/2100, 4.3-10 connectors

- Ideal for small cell applications
- Compact form factor with reduced size and weight
- Suitable for space limited applications like Metro Cell, Lamp Pole, Concealment Solution and Macro Site
- New 4.3-10 connectors for improved PIM performance and size reduction
- Single configuration

OBSOLETE

This product was discontinued on: December 31, 2023

Replaced By:

E14F06P32

Ultra Compact Single Diplexer 1350-1880/1920-2690, 4.3-10 connectors

Product Classification

Product Type Diplexer

General Specifications

Product Family CBC1821

Color Gray

Common Port Label PORT 3 COMMON

Modularity 2-Twin

Mounting Pole | Wall

Mounting Pipe Hardware Band clamps (2)

RF Connector Interface 4.3-10 Female

RF Connector Interface Body Style Long neck

Dimensions

Height 40 mm | 1.575 in

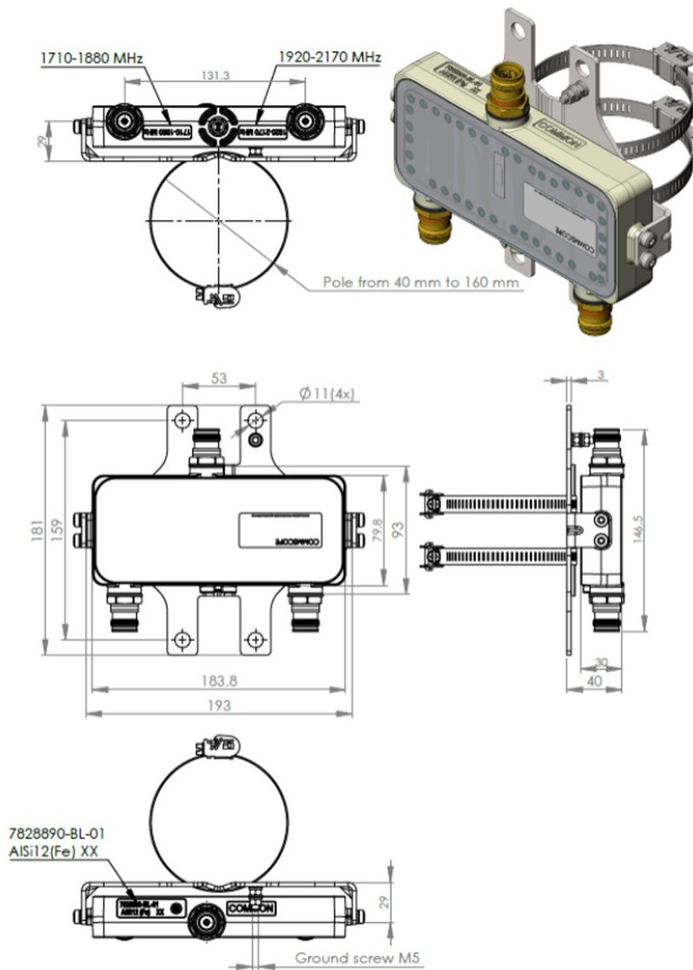
Width 183 mm | 7.205 in

Depth 65 mm | 2.559 in

Mounting Pipe Diameter Range 40–160 mm

Outline Drawing

E14F06P03



Electrical Specifications

Impedance	50 ohm
License Band, Band Pass	APT 700 CEL 900 DCS 1800 EDD 800 IMT 2100

Electrical Specifications, dc Power/Alarm

dc/AISG Pass-through Method	No dc/AISG pass-through
dc/AISG Pass-through, combiner	dc/AISG blocking on all ports
dc/AISG Pass-through, demultiplexer	dc/AISG blocking on all ports
Lightning Surge Current	5 kA
Lightning Surge Current Waveform	8/20 waveform

Electrical Specifications

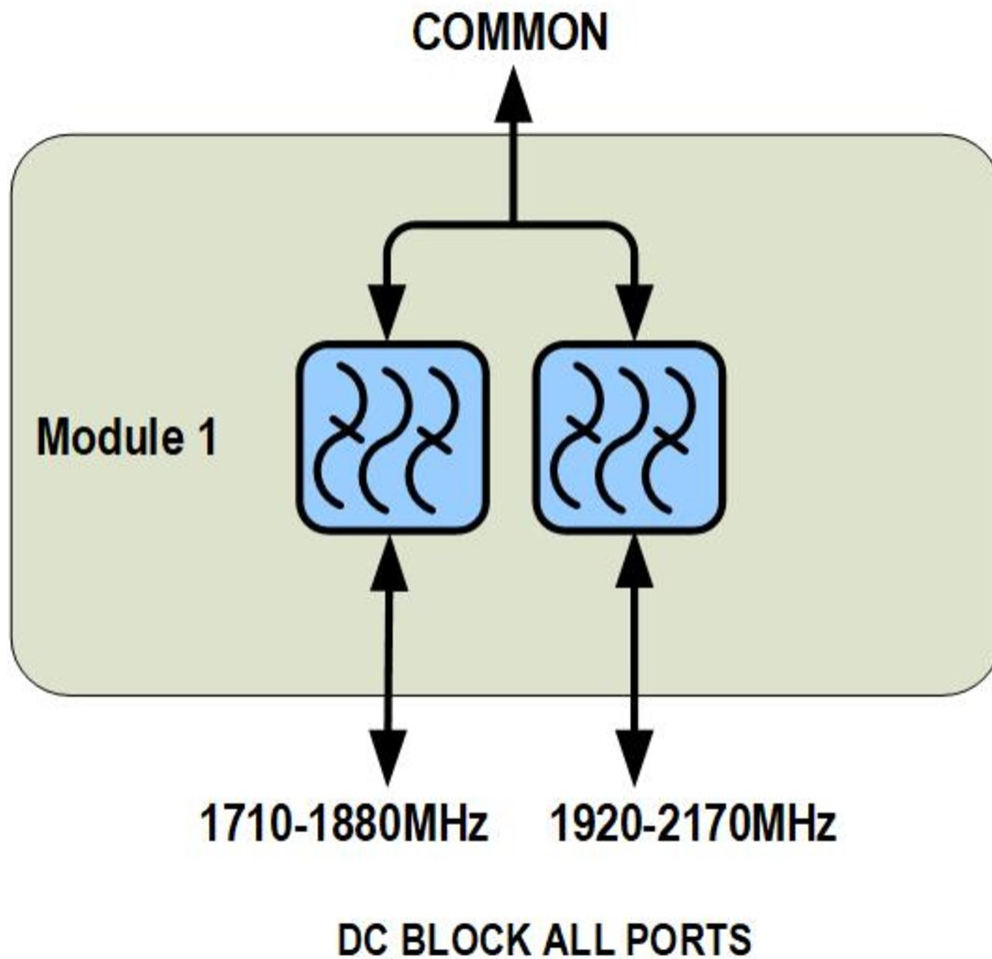
E14F06P03

Sub-module	1 2	1 2
Branch	1	2
Port Designation	PORT 1 1710-1880	PORT 2 1920-2170
License Band	DCS 1800, Band Pass	IMT 2100, Band Pass

Electrical Specifications, Band Pass

Frequency Range, MHz	1710–1880	1920–2170
Insertion Loss, typical, dB	0.3	0.3
Return Loss, typical, dB	20	20
Isolation, typical, dB	40	40
Input Power, RMS, maximum, W	125	125
Input Power, PEP, maximum, W	1200	1200
3rd Order PIM, typical, dBc	-158	-158
3rd Order PIM Test Method	Two +43 dBm carriers	Two +43 dBm carriers

Block Diagram



Environmental Specifications

Operating Temperature	-40 °C to +65 °C (-40 °F to +149 °F)
Corrosion Test Method	IEC 60068-2-11, 30 days
Ingress Protection Test Method	IEC 60529:2001, IP67

Packaging and Weights

Included	Mounting hardware
Volume	0.5 L
Weight, net	1 kg 2.205 lb
Weight, without mounting hardware	0.8 kg 1.764 lb

Regulatory Compliance/Certifications

E14F06P03

Agency

ISO 9001:2015

**Classification**

Designed, manufactured and/or distributed under this quality management system