

400BPNM-C-G



Type N Male for CNT-400 braided cable (Gold Pin)

Product Classification

| | |
|----------------------|-------------------------|
| Product Type | Braided cable connector |
| Product Brand | CNT® ConQuest® |

General Specifications

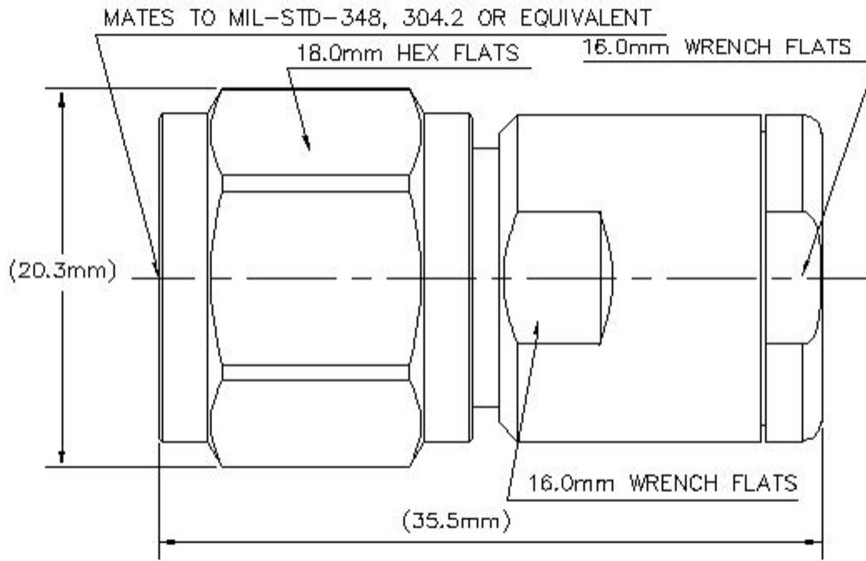
| | |
|--|------------|
| Body Style | Straight |
| Inner Contact Attachment Method | Captivated |
| Inner Contact Plating | Gold |
| Interface | N Male |
| Outer Contact Attachment Method | Clamp |
| Outer Contact Plating | Trimetal |

Dimensions

| | |
|---------------------|---------------------|
| Width | 20.25 mm 0.797 in |
| Length | 35.48 mm 1.397 in |
| Diameter | 20.25 mm 0.797 in |
| Nominal Size | 0.405 in |

Outline Drawing

400BPNM-C-G



Electrical Specifications

| | |
|---|--------------|
| Insertion Loss, typical | 0.05 dB |
| Cable Impedance | 50 ohm |
| Connector Impedance | 50 ohm |
| dc Test Voltage | 2500 V |
| Inner Contact Resistance, maximum | 1 mOhm |
| Insulation Resistance, minimum | 5000 MOhm |
| Operating Frequency Band | 0 – 6000 MHz |
| Outer Contact Resistance, maximum | 0.25 mOhm |
| Peak Power, maximum | 10 kW |
| RF Operating Voltage, maximum (vrms) | 707 V |

VSWR/Return Loss

| Frequency Band | VSWR | Return Loss (dB) |
|----------------|-------|------------------|
| 0–3000 MHz | 1.046 | 32.96 |
| 3000–6000 MHz | 1.18 | 22 |

Mechanical Specifications

| | |
|--|------------------------|
| Connector Retention Tensile Force | 330 N 74.187 lbf |
| Connector Retention Torque | 0.56 N-m 4.956 in lb |

400BPNM-C-G

| | |
|--|------------------------|
| Coupling Nut Proof Torque | 1.7 N-m 15.046 in lb |
| Coupling Nut Proof Torque Method | IEC 61169-16:9.3.6 |
| Coupling Nut Retention Force | 450 N 101.164 lbf |
| Coupling Nut Retention Force Method | IEC 61169-16:9.3.11 |
| Interface Durability | 500 cycles |
| Interface Durability Method | IEC 61169-16:9.5 |
| Mechanical Shock Test Method | IEC 60068-2-27 |

Environmental Specifications

| | |
|---|---------------------------------------|
| Operating Temperature | -40 °C to +85 °C (-40 °F to +185 °F) |
| Storage Temperature | -65 °C to +125 °C (-85 °F to +257 °F) |
| Attenuation, Ambient Temperature | 20 °C 68 °F |
| Average Power, Ambient Temperature | 40 °C 104 °F |
| Average Power, Inner Conductor Temperature | 100 °C 212 °F |
| Climatic Sequence Test Method | IEC 60068-1 |
| Corrosion Test Method | IEC 60068-2-11 |
| Damp Heat Steady State Test Method | IEC 60068-2-3 |
| Immersion Depth | 1 m |
| Immersion Test Mating | Mated |
| Immersion Test Method | IEC 60529:2001, IP68 |
| Thermal Shock Test Method | IEC 60068-2-14 |
| Vibration Test Method | IEC 60068-2-6 |

Packaging and Weights

| | |
|--------------------|--------------------|
| Weight, net | 37.55 g 0.083 lb |
|--------------------|--------------------|

Regulatory Compliance/Certifications

| Agency | Classification |
|---------------|--|
| CHINA-ROHS | Below maximum concentration value |
| ISO 9001:2015 | Designed, manufactured and/or distributed under this quality management system |
| REACH-SVHC | Compliant as per SVHC revision on www.commscope.com/ProductCompliance |
| ROHS | Compliant |
| UK-ROHS | Compliant |

400BPNM-C-G



* Footnotes

Insertion Loss, typical 0.05√freq (GHz) (not applicable for elliptical waveguide)

Immersion Depth Immersion at specified depth for 24 hours