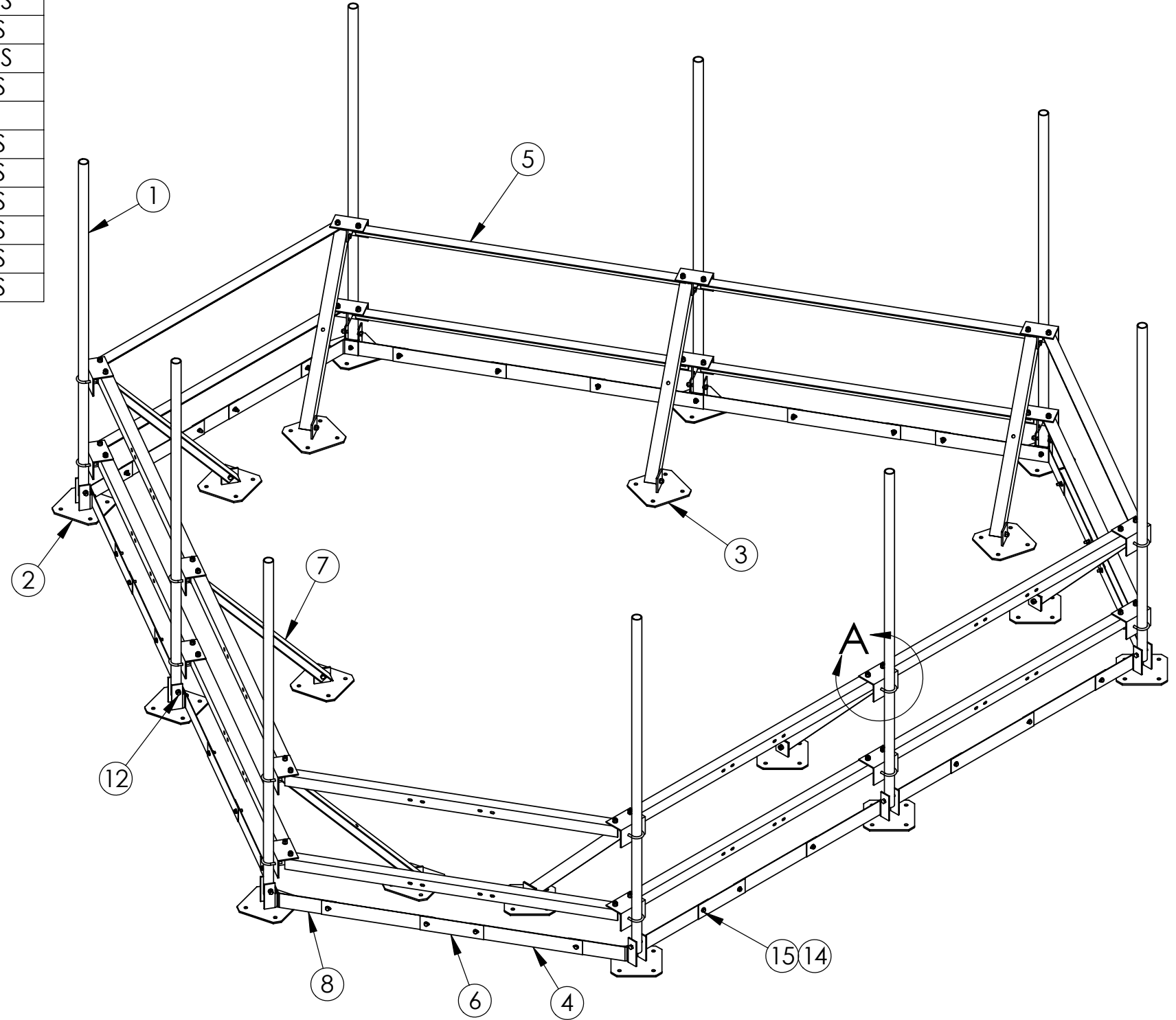
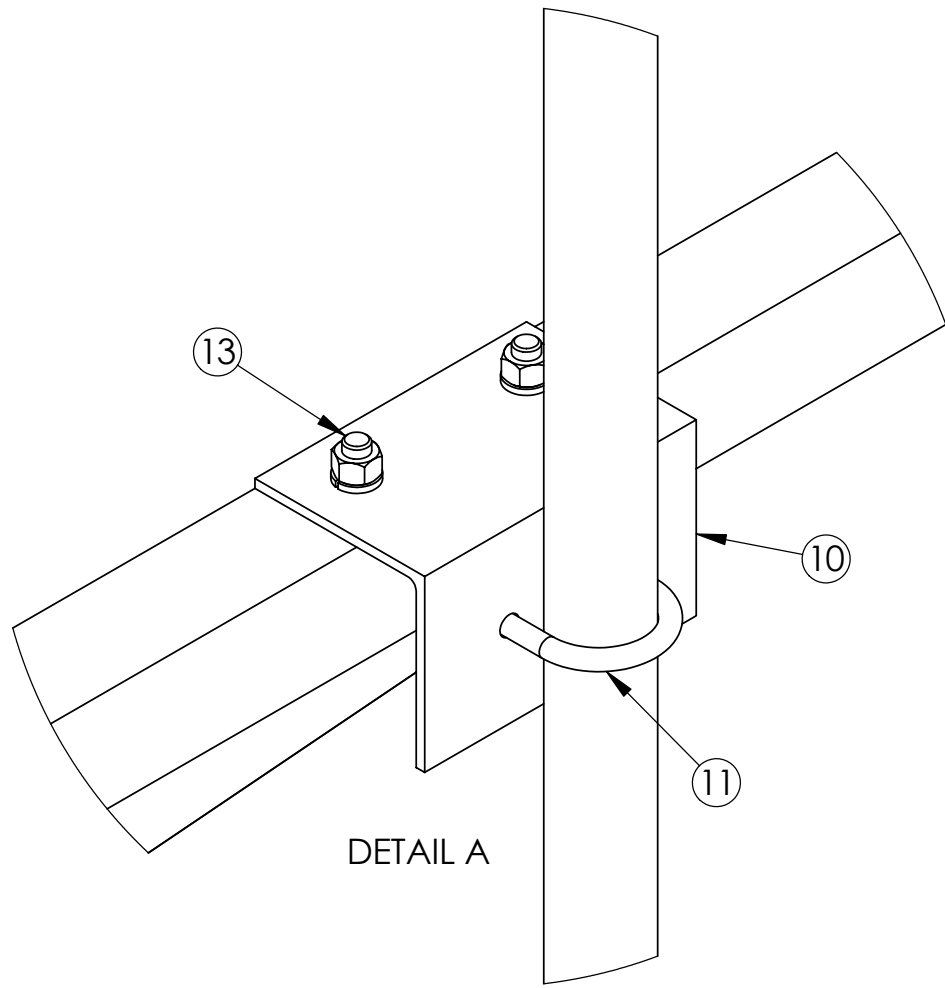



ITEM	PART NO.	DESCRIPTION	QTY.	WEIGHT
1	WTRTA.32	96" VERTICAL PIPE (SEE TABLE 1)	-	36.93 LBS
2	WTRTA.19	WELDED FOOT	9	18.23 LBS
3	WTRTA.20	REAR FOOT	9	16.30 LBS
4	WTRTA.27	LONG TOE BOARD SECTION	24	3.80 LBS
5	WTRTA.30	ANGLE, 7'	18	32.76 LBS
6	WTRTA.31	SHORT TOE BOARD SECTION	9	2.16 LBS
7	WTRTA.25	KICKER ANGLE	9	19.18 LBS
8	WTRTA.29	ANGLE TOE BOARD SECTION	6	2.44 LBS
9	WTRTAH	HARDWARE KIT (ITEMS 10-15)	1	
10	WTRTA.21	WELDED BRACKET	18	7.11 LBS
11	GUB-4240	1/2" X 2-1/2" X 4" GALV U-BOLT KIT	30	0.57 LBS
12	GB-05445	5/8" X 4-1/2" GALV BOLT KIT	9	0.48 LBS
13	GB-05145	5/8" X 1-1/2" GALV BOLT KIT	54	0.22 LBS
14	GW-F-04	1/2" GALV FLAT WASHER	78	0.02 LBS
15	GB-04145	1/2" X 1-1/2" GALV BOLT KIT	39	0.22 LBS

REVISIONS				
REV.	ZONE	DESCRIPTION	BY	DATE
D		NEW DESIGN	AW	04/01/05

ASSEMBLY #	PART #	QTY.	WEIGHT
WT-RTA14-9-96	WTRTA.32	9	1716.50 LBS
WT-RTA14-12-96	WTRTA.32	15	1939.10 LBS



These drawings and specifications are the proprietary property of ANDREW CORPORATION and may be used only for the specific purpose authorized in writing by Andrew Corporation. ALL DIMENSIONS ARE IN INCHES U.O.S. TOLERANCES UNLESS OTHERWISE SPECIFIED: .X = ± .06 ANGLES ± 2° .XX = ± .03 FRACTIONS ± 1/32 .XXX = ± .010 REMOVE BURRS AND BREAK EDGES .005 DO NOT SCALE THIS PRINT	DRAWN BY: AW	SHEET: 1 of 1	PART NUMBER: WT-RTA14 SERIES
	CHECKED BY: TP	SCALE: NTS	DESCRIPTION: 14' WATER TOWER ROOF TOP ASSEMBLY
	DATE: 04/01/05	MATERIAL: A36	DRAWING TYPE: ASSEMBLY DRAWING
	REVISION: D	FINISH: GALV A123	 ORLAND PARK, IL. 60462 U.S.A.
	WEIGHT: SEE TABLE 1		