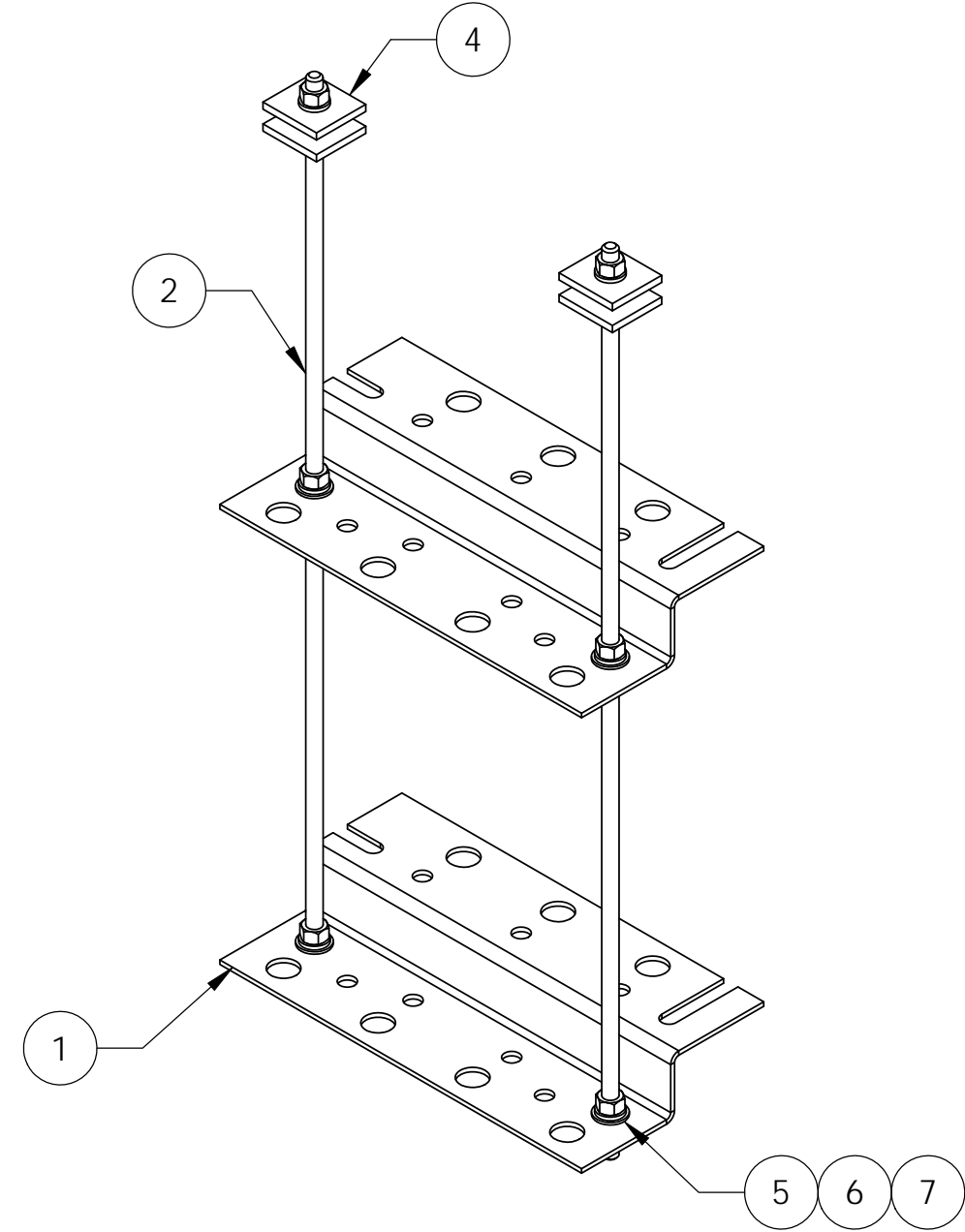
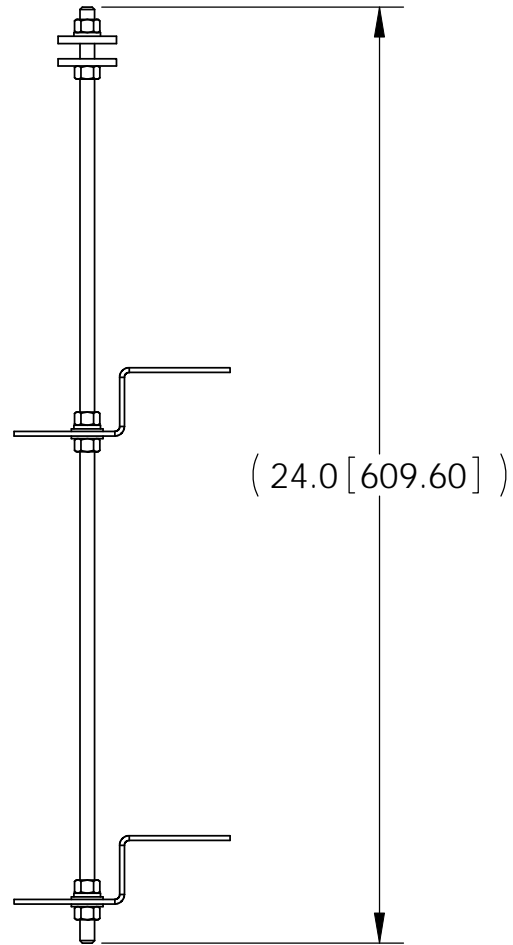
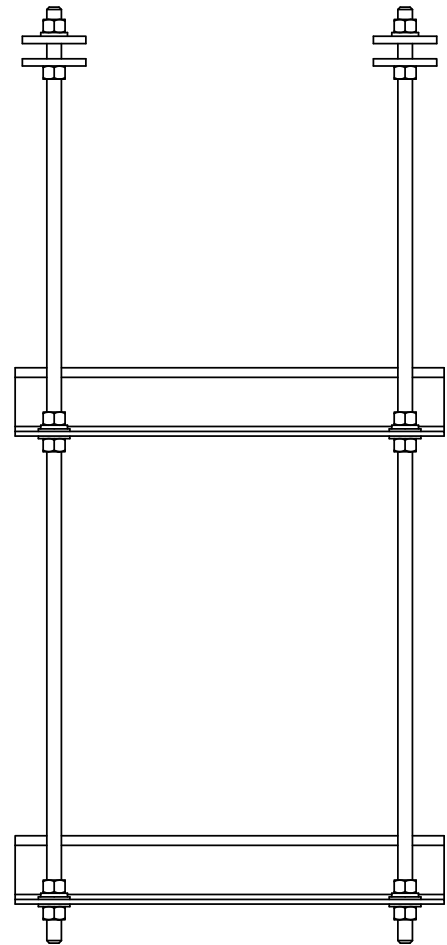
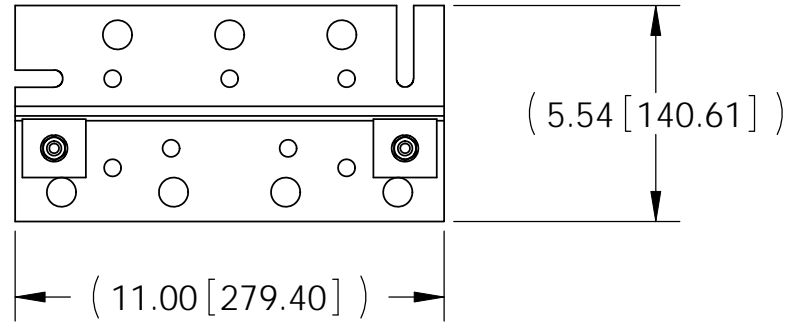



ITEM	PART NO.	DESCRIPTION	QTY.	WEIGHT
1	ZB-H4	HORIZONTAL Z-BRACKET, 4 RUNS OF COAX	2	2.40 LBS
2	MT-373-24	3/8" X 24" SS THREADED ROD	2	0.75 LBS
3	WBTKH	HARDWARE KIT (ITEMS 4-7)	1	
4	MT-387	SQUARE WASHER, 1-1/2" X 1-5/8" W/ 7/16" HOLE	4	0.12 LBS
5	SWF-03	3/8" SS FLAT WASHER	8	0.01 LBS
6	SWL-03	3/8" SS LOCK WASHER	6	0.01 LBS
7	SN-03	3/8" SS HEX NUT	12	0.02 LBS

REVISIONS				
REV.	ZONE	DESCRIPTION	BY	DATE
A		INITIAL RELEASE	MLO	11/04/99
B		-	-	-
C		REVISED & REDRAWN	DMW	05/04/01
D		UPDATE ALL-THREAD PART NUMBER	JTS	06/05/01
E		UPDATE Z-BRACKET & ADD FLAT WASHERS	ACG	03/02/06
F		ZB-H4 was ZBH4.01	MSM	08/05/10



<small>These drawings and specifications are the proprietary property of ANDREW CORPORATION and may be used only for the specific purpose authorized in writing by Andrew Corporation.</small> <b>ALL DIMENSIONS ARE IN INCHES U.O.S.</b> TOLERANCES UNLESS OTHERWISE SPECIFIED: .X = ± .06      ANGLES      ±2° .XX = ± .03      FRACTIONS      ±1/32 .XXX = ± .010 REMOVE BURRS AND BREAK EDGES .005 <b>DO NOT SCALE THIS PRINT</b>	DRAWN BY: ACG	SHEET: 1 of 1	PART NUMBER: <b>WB-TK12D</b>
	CHECKED BY: TP	SCALE: NTS	DESCRIPTION: TRAPEZE KIT, 12" WIDE, 2 RUNG
	DATE: 03/06/06	MATERIAL: A36	DRAWING TYPE: ASSEMBLY DRAWING
	REVISION: <b>F</b>	FINISH: GALV A123	 <b>ANDREW</b> ® ORLAND PARK, IL. 60462 U.S.A.
	WEIGHT: 7.10 LBS		