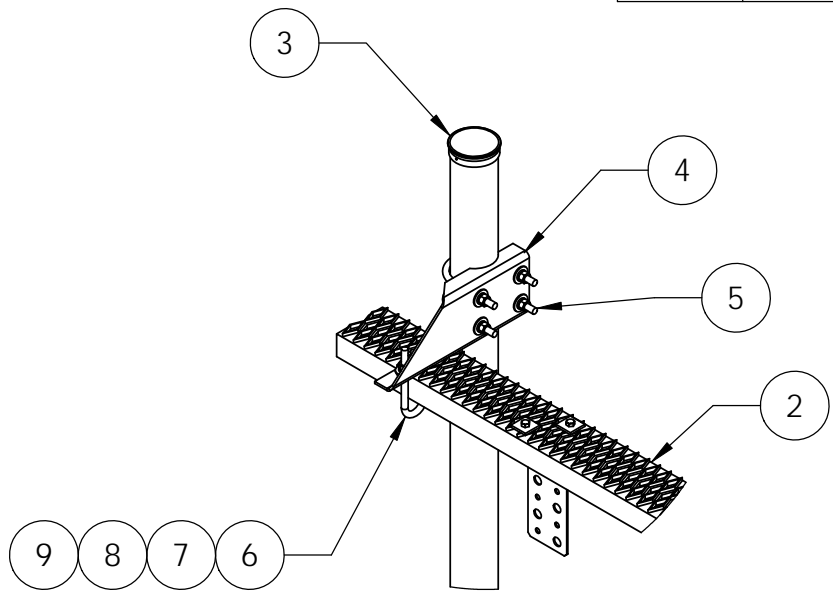
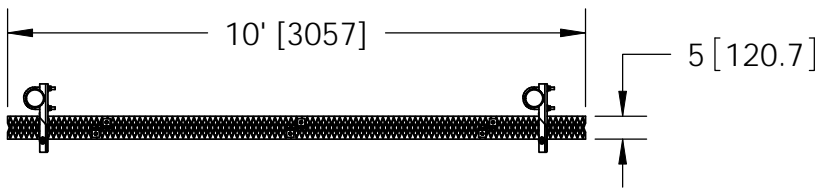
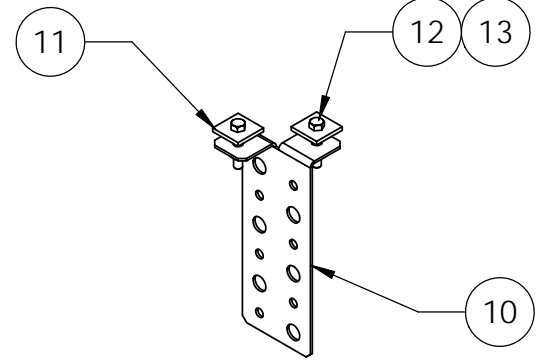
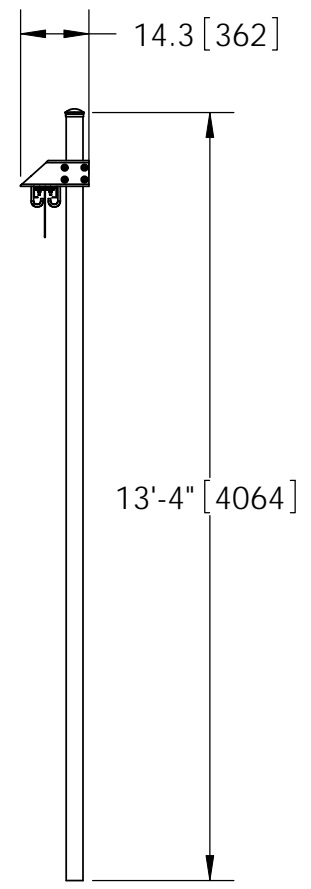
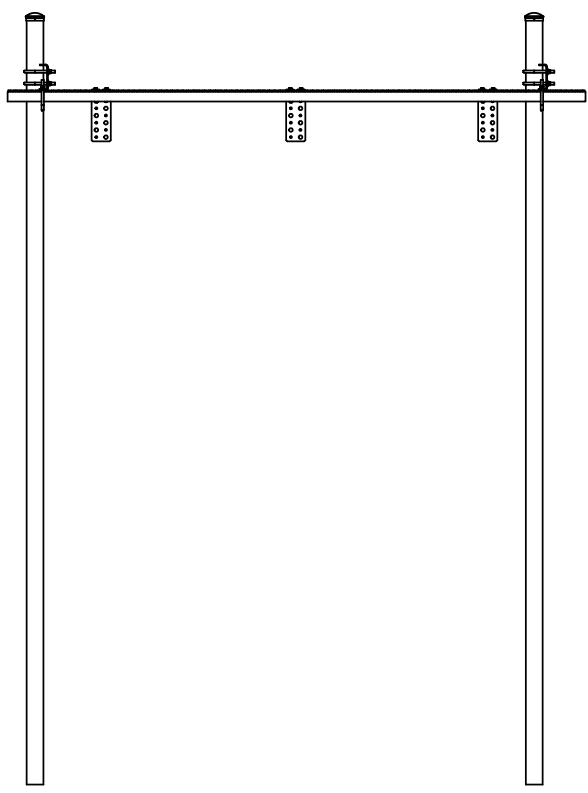
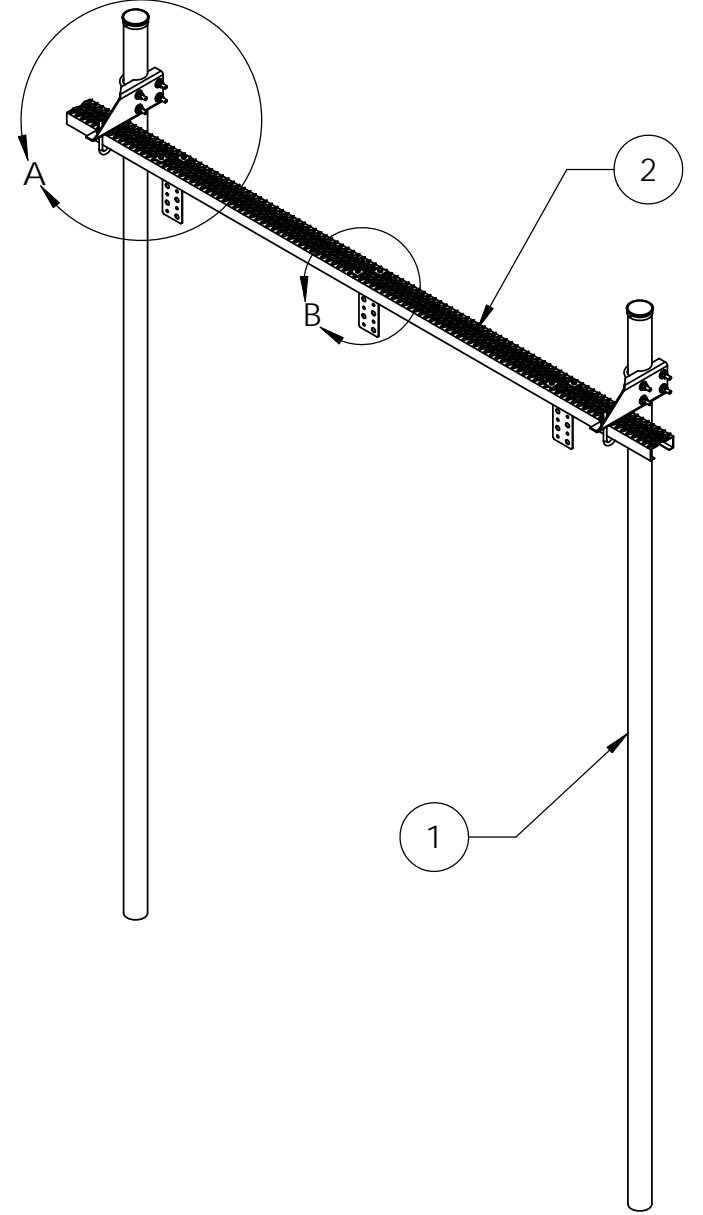


ITEM	PART NO.	DESCRIPTION	QTY.	WEIGHT
1	MF-130	DIRECT BURIAL PIPE COLUMN, 13' 4"	2	100.47 LBS
2	WB-CY0510	SAFETY GRATING 5" X 10'	1	30.21 LBS
3	PC-034	PIPE CAP 3-1/2"	2	0.66 LBS
4	WBLB0501	5" WAVEGUIDE BRIDGE SUPPORT BRACKET	2	4.52 LBS
5	GUB-4356	1/2" X 3-5/8" X 6" GALV U-BOLT	4	0.82 LBS
6	WB-JB-6	1/2" J-BOLT	4	0.49 LBS
7	GWF-04	1/2" GALV FLAT WASHER	4	0.03 LBS
8	GWL-04	1/2" GALV LOCK WASHER	4	0.00 LBS
9	GN-04	1/2" GALV HEX NUT	4	0.04 LBS
10	ZBV601	Single 6 Cable Bracket	3	1.42 LBS
11	MT-387	SQUARE WASHER, 1-1/2" X 1-1/2" W/ 7/16" HOLE	6	0.11 LBS
12	GB-03205	3/8" X 2" GALV BOLT KIT	6	0.08 LBS
13	GWF-03	3/8" GALV FLAT WASHER	6	0.01 LBS

REVISIONS				
REV.	ZONE	DESCRIPTION	BY	DATE
A		INITIAL RELEASE	DRR	10/30/12



DETAIL A
SCALE 1 : 14



DETAIL B
SCALE 1 : 8

NOTES:
1. ALL METRIC DIMENSIONS ARE IN BRACKETS.

These drawings and specifications are the proprietary property of CommScope Inc. and may be used only for the specific purpose authorized in writing by CommScope Inc. ALL DIMENSIONS ARE IN INCHES U.S.S. TOLERANCES UNLESS OTHERWISE SPECIFIED: .X = ± .12 ANGLES ±2° .XX = ± .06 FRACTIONS ±1/32 .XXX = ± .03 REMOVE BURRS AND BREAK EDGES .005 DO NOT SCALE THIS PRINT	DRAWN BY: DRR	SHEET: 1 of 1	PART NUMBER: WB-K0510-B
	CHECKED BY: TP	SCALE: NTS	DESCRIPTION: WAVEGUIDE BRIDGE KIT 5"
	DATE: 10/30/12	MATERIAL: A36, A53, A568	DRAWING TYPE: ASSEMBLY DRAWING
	REVISION: A	FINISH: GALV A123	 Hickory, NC 28602 U.S.A.
WEIGHT: 253.47 LBS			