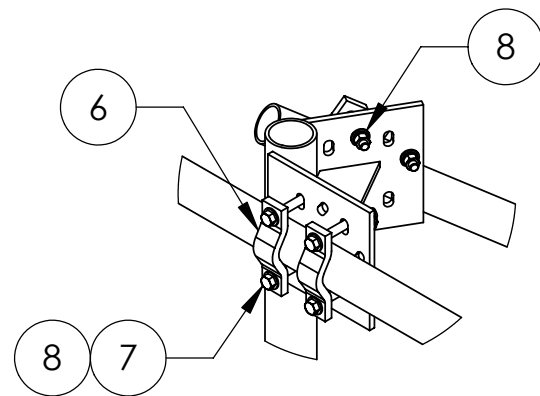
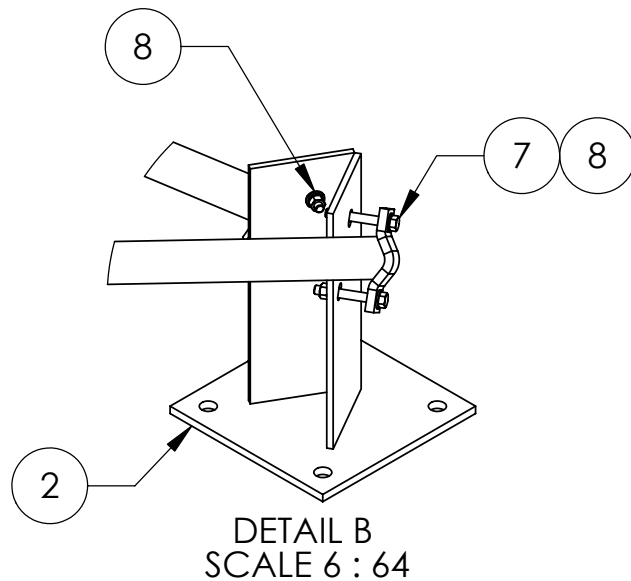


ITEM	PART NO.	DESCRIPTION	QTY.	WEIGHT
1	TP50.01	UNIVERSAL LEG	2	86.77 LBS
2	TP25.01	STUB LEG	1	39.93 LBS
3	MT651132	Ø2.375" OD x 132" PIPE	2	43.99 LBS
4	MT-651-114	Ø2.375" O.D. X 114" PIPE	2	34.83 LBS
5	TP100H	HARDWARE KIT (ITEMS 6-8)	1	
6	SCP10	SMALL DISH CLAMP HALF	14	1.20 LBS
7	GB-0436A	1/2" X 3-3/4" GALV BOLT KIT (A325)	28	0.26 LBS
8	GWF04A	1/2" GALV FLAT WASHER (A325)	56	0.02 LBS

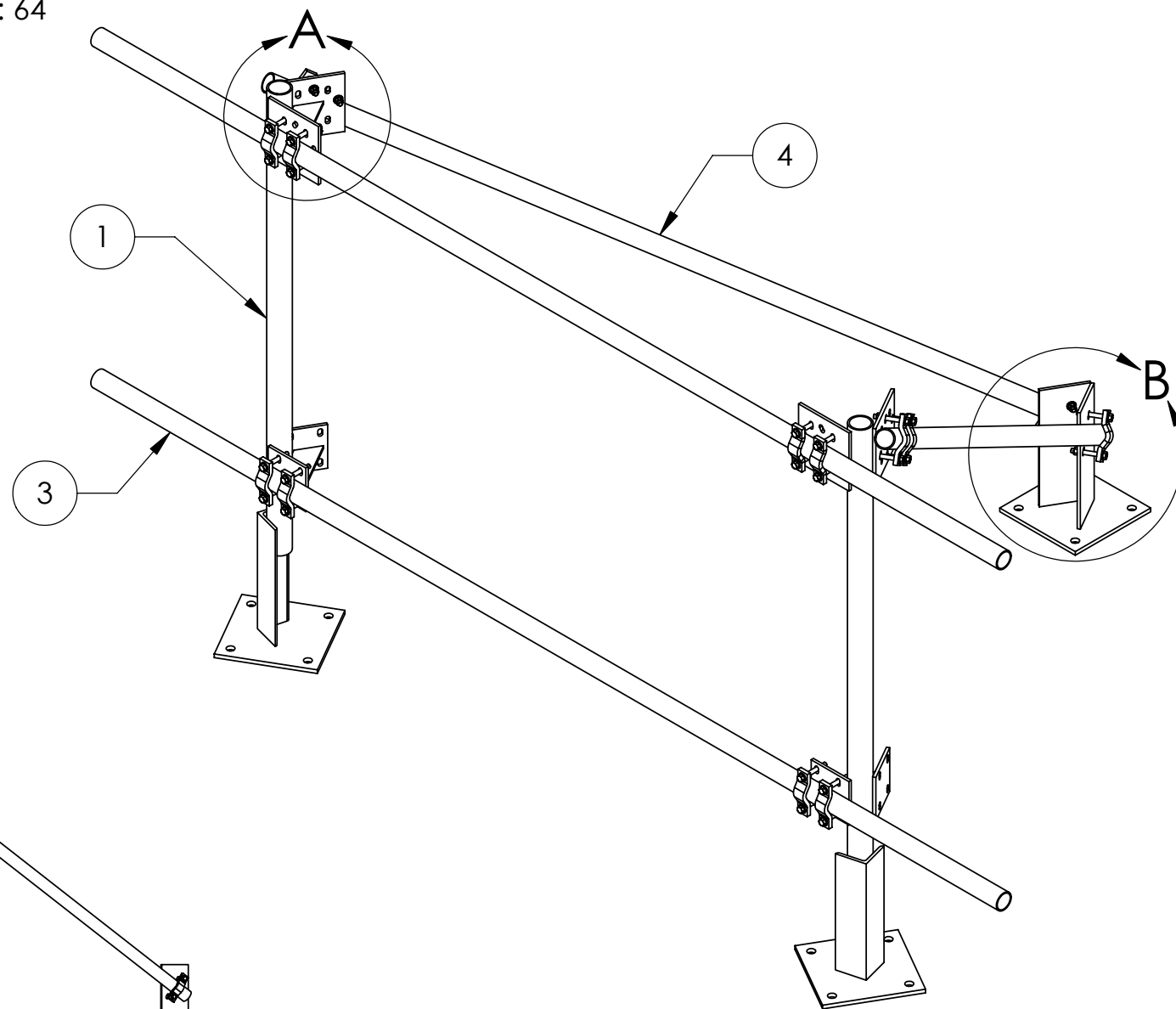
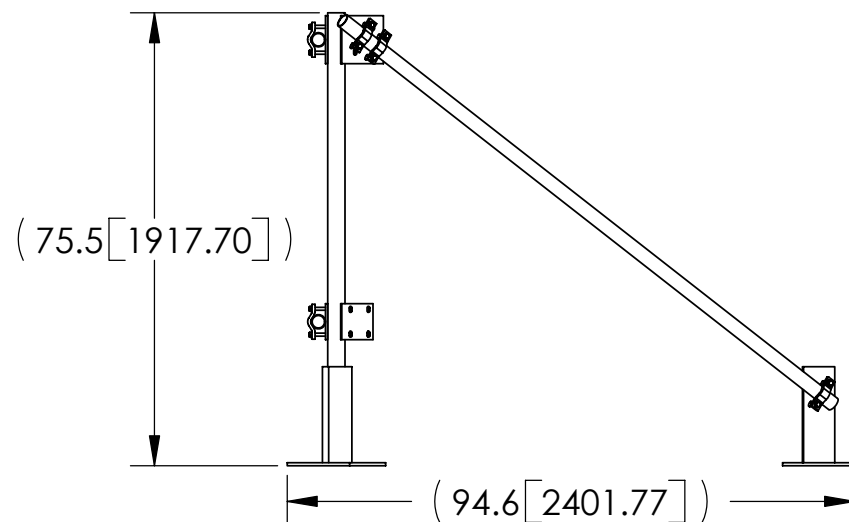
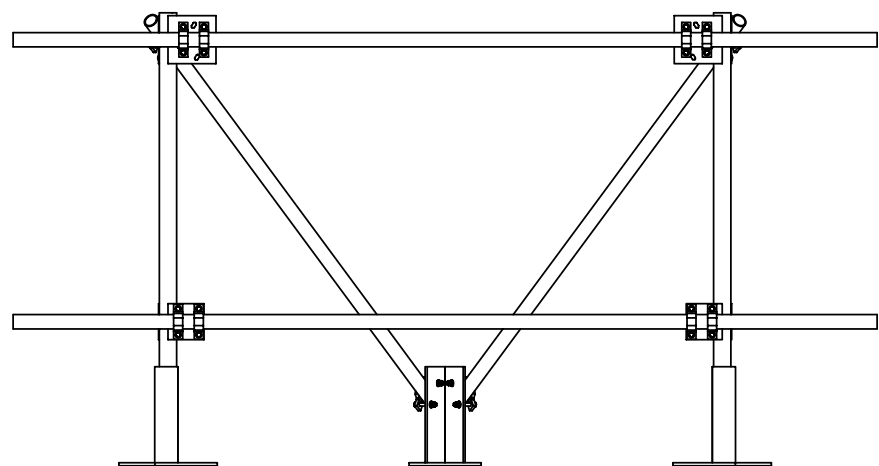
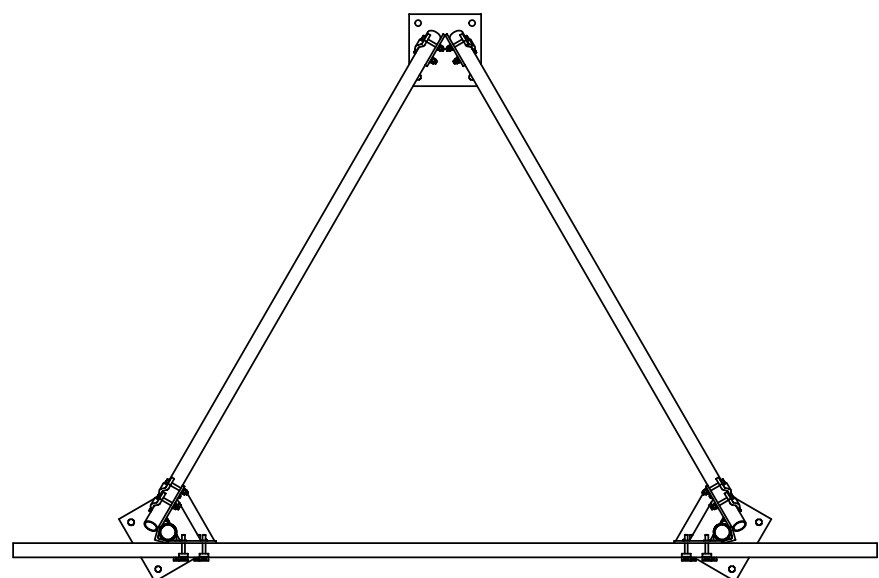
REVISIONS				
REV.	ZONE	DESCRIPTION	BY	DATE
A		INITIAL RELEASE	TDM	01/30/00
B		CHANGE BOLT, UPDATE P/N	MLL	05/09/00
C		REDRAWN & REVISED	JTS	03/23/01
D		ADDED GUSSET TO ITEM 1	ACG	11/08/05
E		ADDED VIEWS & REDRAWN IN SOLIDWORKS	ACG	07/19/06



DETAIL A
SCALE 6 : 64



DETAIL B
SCALE 6 : 64



NOTES:

1. ALL METRIC DIMENSIONS ARE IN BRACKETS.

These drawings and specifications are the proprietary property of ANDREW CORPORATION and may be used only for the specific purpose authorized in writing by Andrew Corporation. ALL DIMENSIONS ARE IN INCHES U.O.S. TOLERANCES UNLESS OTHERWISE SPECIFIED: .X = ± .06 ANGLES ±2° .XX = ± .03 FRACTIONS ±1/32 .XXX = ± .010 REMOVE BURRS AND BREAK EDGES .005 DO NOT SCALE THIS PRINT	DRAWN BY: ACG	SHEET: 1 of 1	PART NUMBER: TP-100
	CHECKED BY: TP	SCALE: NTS	DESCRIPTION: ROOF-TOP MOUNT
	DATE: 07/19/06	MATERIAL: A36, A53	DRAWING TYPE: ASSEMBLY DRAWING
	REVISION: E	FINISH: GALV A123	WEIGHT: 396.76 LBS

