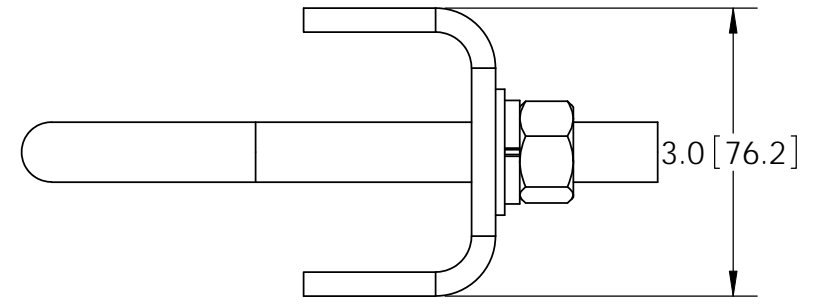
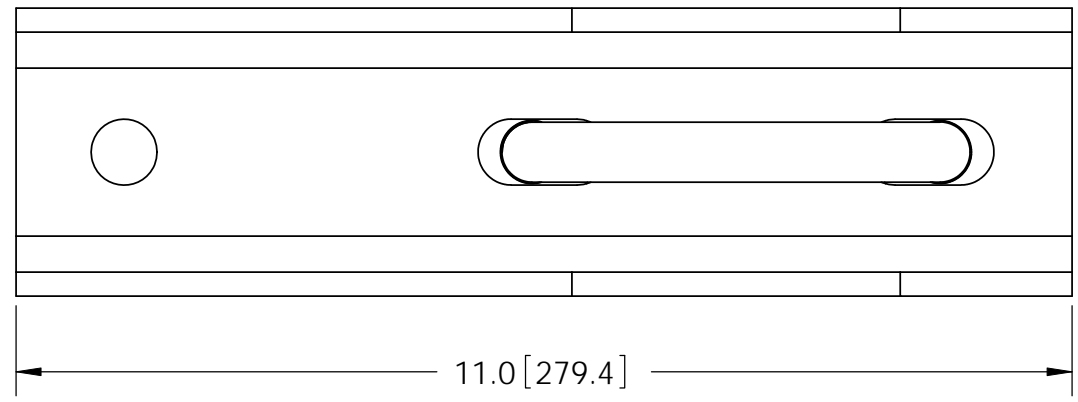
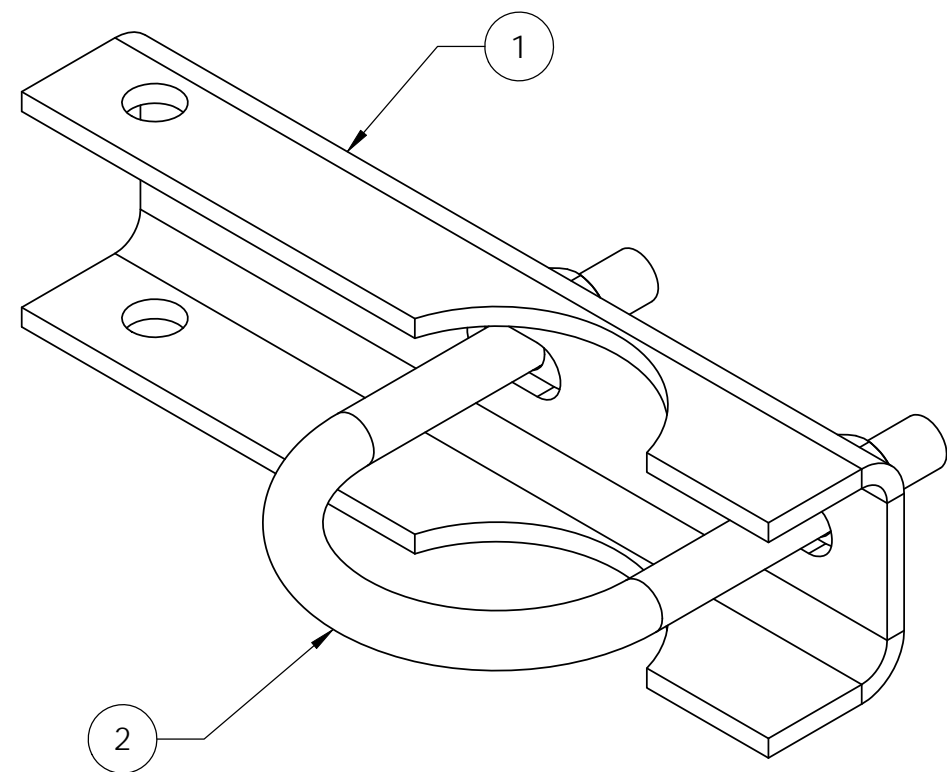
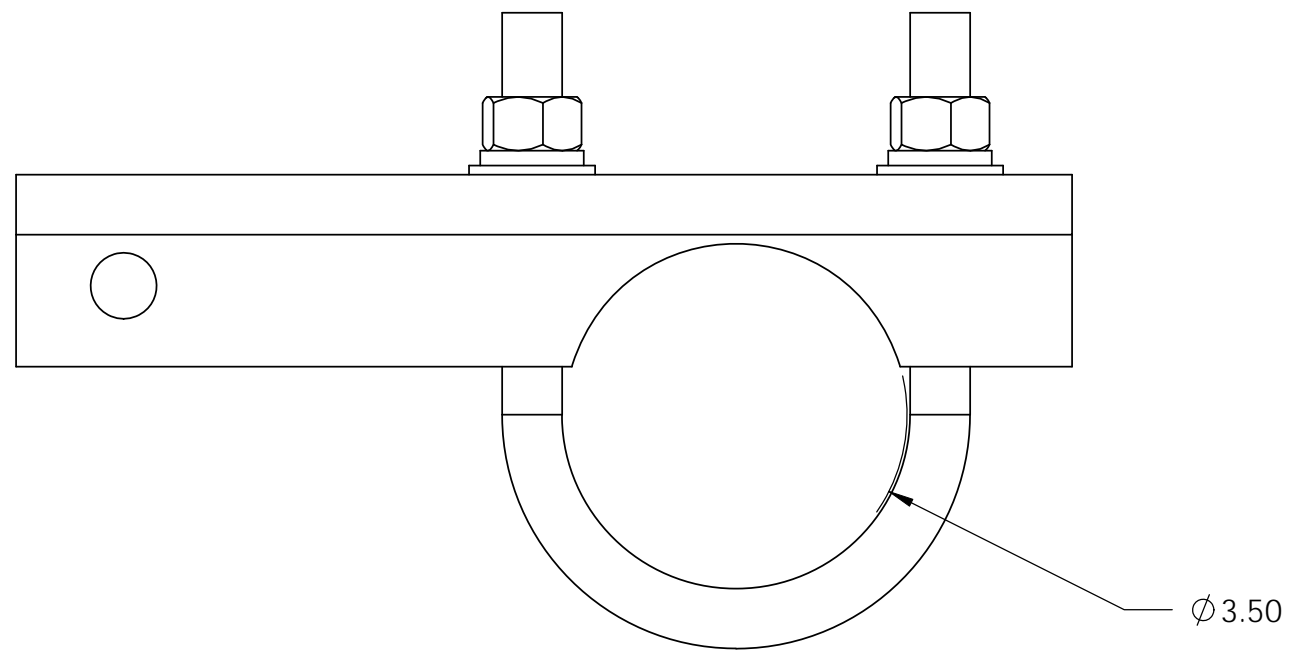



ITEM	PART NO.	DESCRIPTION	QTY.	WEIGHT
1	TFMSS35	Stiffarm Strut Support 3.5"OD	1	4.05 LBS
2	GUB-53560	5/8" X 3-5/8" X 6" GALV U-BOLT	1	1.30 LBS

REVISIONS				
REV.	ZONE	DESCRIPTION	BY	DATE
A		INITIAL RELEASE	MSM	03/01/11



NOTES:
 1. ALL METRIC DIMENSIONS ARE IN BRACKETS.

These drawings and specifications are the proprietary property of ANDREW CORPORATION and may be used only for the specific purpose authorized in writing by Andrew Corporation. ALL DIMENSIONS ARE IN INCHES U.O.S. TOLERANCES UNLESS OTHERWISE SPECIFIED: .X = ± .12 ANGLES ±2° .XX = ± .06 FRACTIONS ±1/32 .XXX = ± .03 REMOVE BURRS AND BREAK EDGES .005 DO NOT SCALE THIS PRINT	DRAWN BY: MSM	SHEET: 1 of 1	PART NUMBER: TF-MSS-BK
	CHECKED BY: TP	SCALE: NTS	DESCRIPTION: Stiff Arm Attachment Bracket
	DATE: 03/01/11	MATERIAL: A36	DRAWING TYPE: ASSEMBLY DRAWING
	REVISION: A	FINISH: GALV A123	
	WEIGHT: 5.63 LBS	WESTCHESTER, IL. 60154 U.S.A.	