

TC-1236-AD
Rev A, Apr 2017
www.commscope.com

Lock for BUDI box

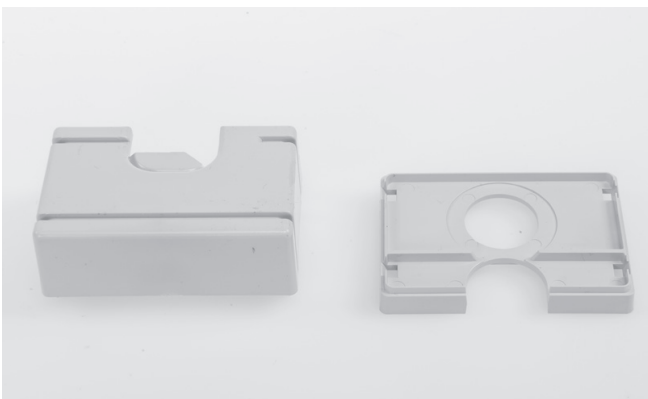
1 Kit Content



BUDI-LOCK-B(20): Lock for BUDI-S and BUDI-M

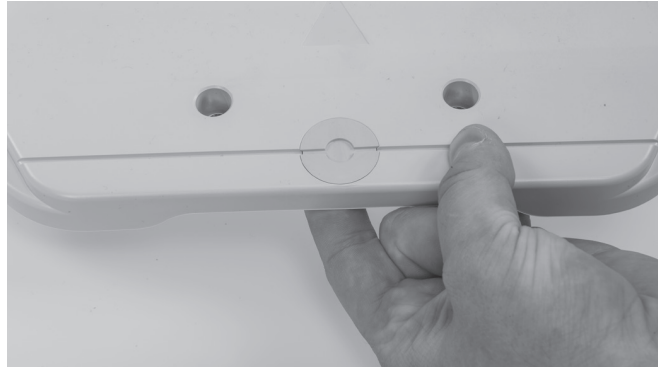


BUDI-1S-LOCK-B(20): Lock for BUDI-1S

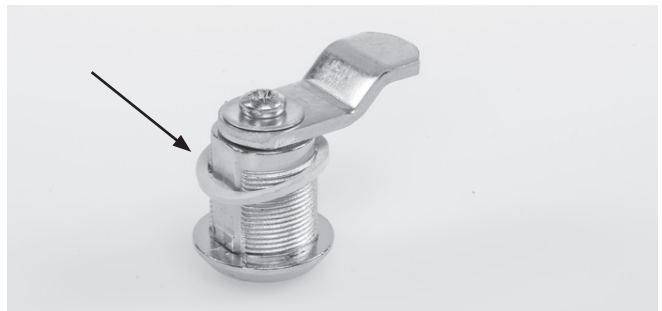


Cover

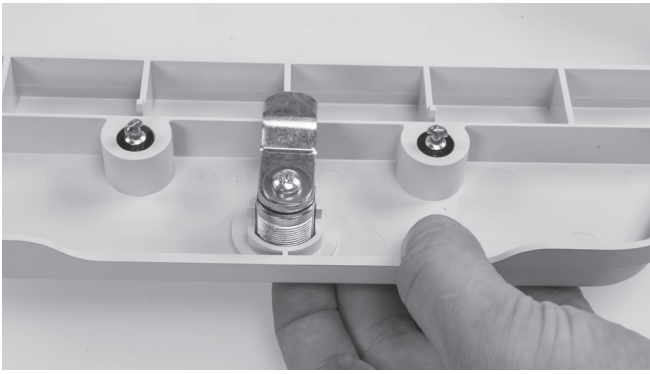
2 Installation of the lock for BUDI-S / M with lock cover



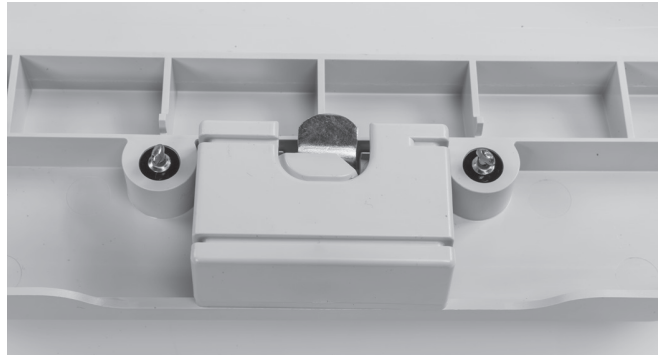
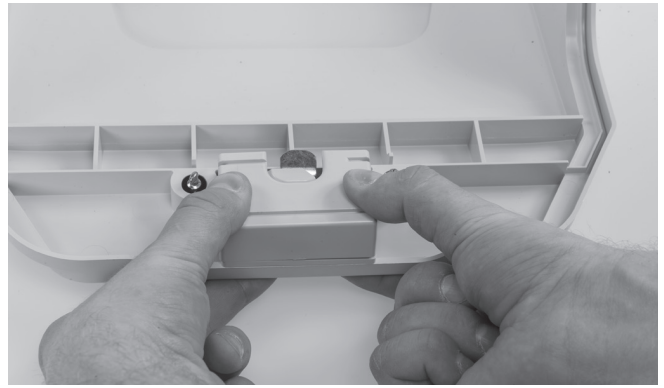
2.1 Remove the plastic plug.



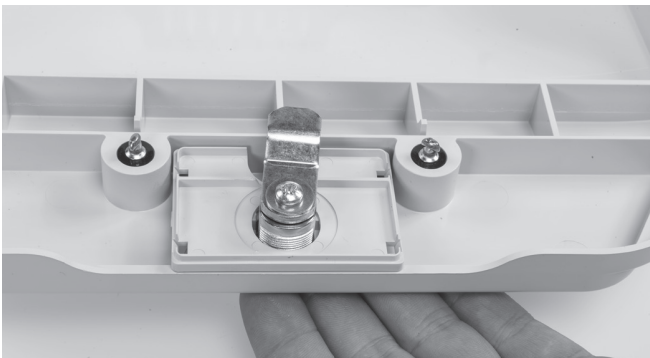
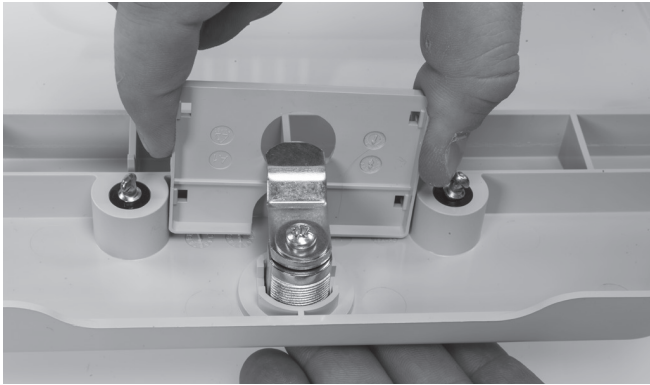
2.2 Slide the rubber seal on the lock as shown.



2.3 Insert the lock into the BUDI-S or M cover.



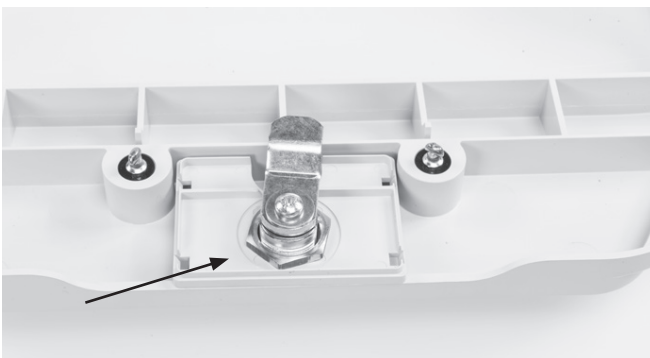
2.6 Snap the cover onto the bottom plate.



2.4 Slide the bottom plate of cover over the lock.

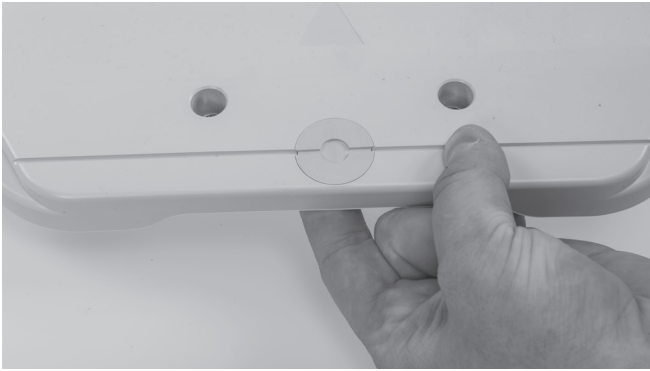


2.7 Install the cover onto the box and lock the box.

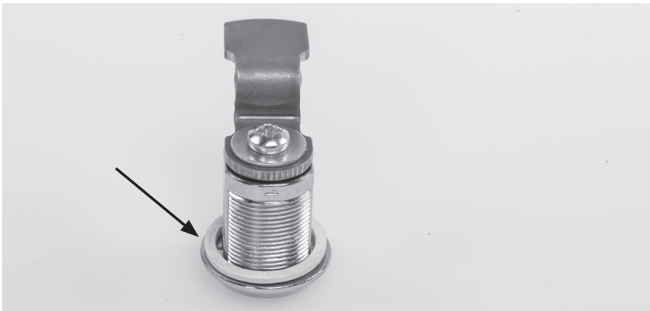
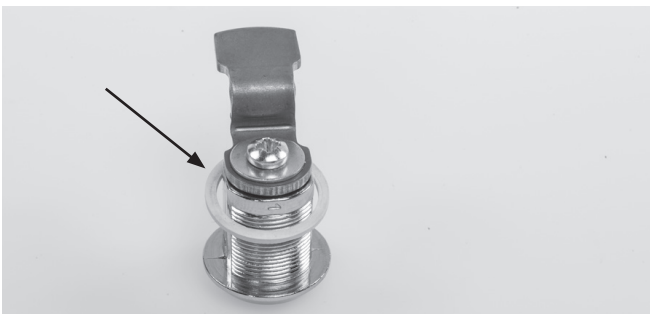
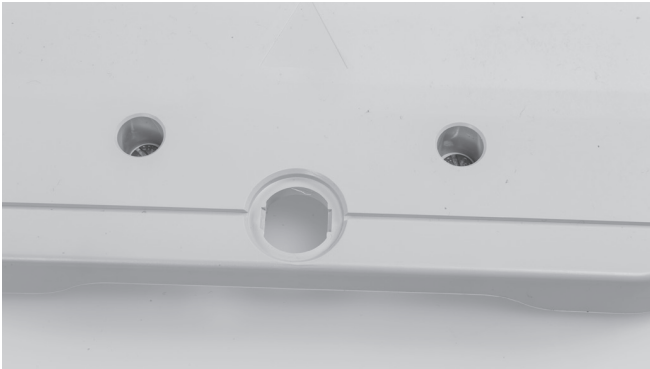


2.5 Install the nut on the lock and tighten the nut by using a wrench, size 22.

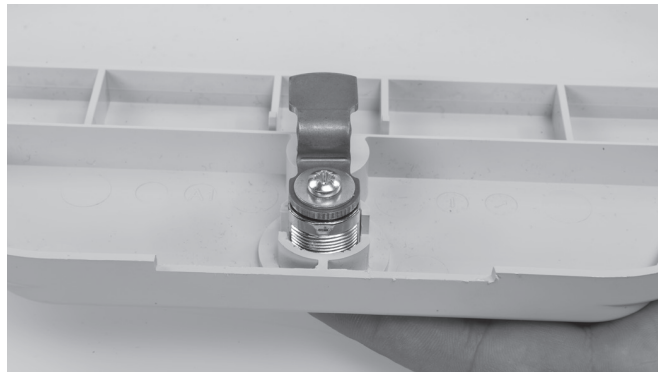
3 Installation of the lock for BUDI-1S with lock cover



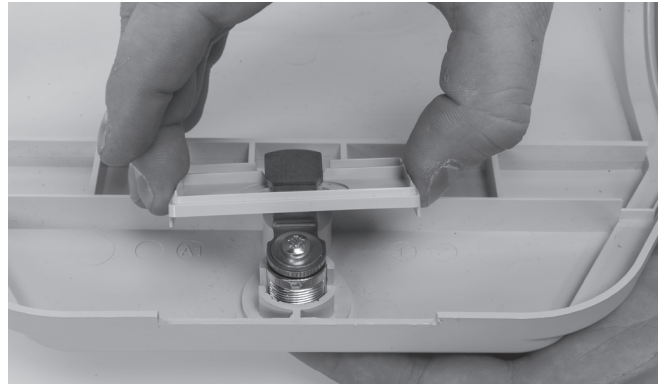
3.1 Remove the plastic plug.



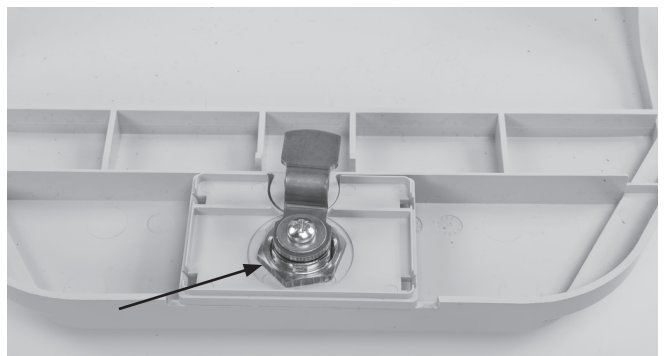
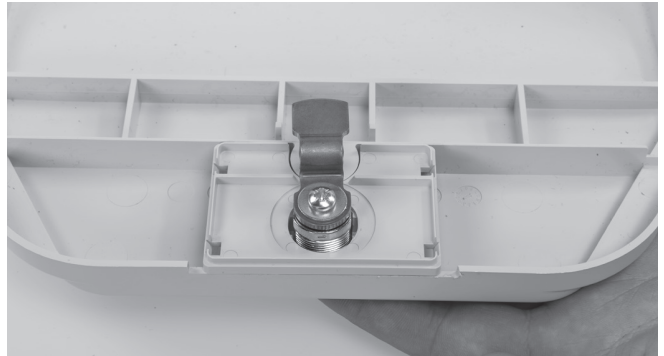
3.2 Slide the rubber seal on the lock as shown.



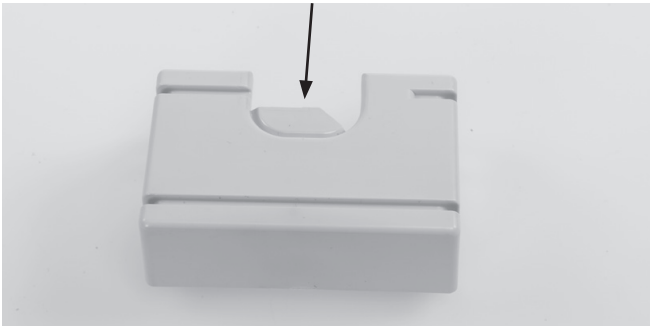
3.3 Insert the lock into the BUDI-1S cover.



3.4 Slide the bottom plate of cover over the lock.



3.5 Install the nut on the lock and tighten the nut by using a wrench, size 22.



3.6 Break off the plastic part.



3.8 Install the cover onto the box and lock the box.



3.7 Snap the cover onto the bottom plate.