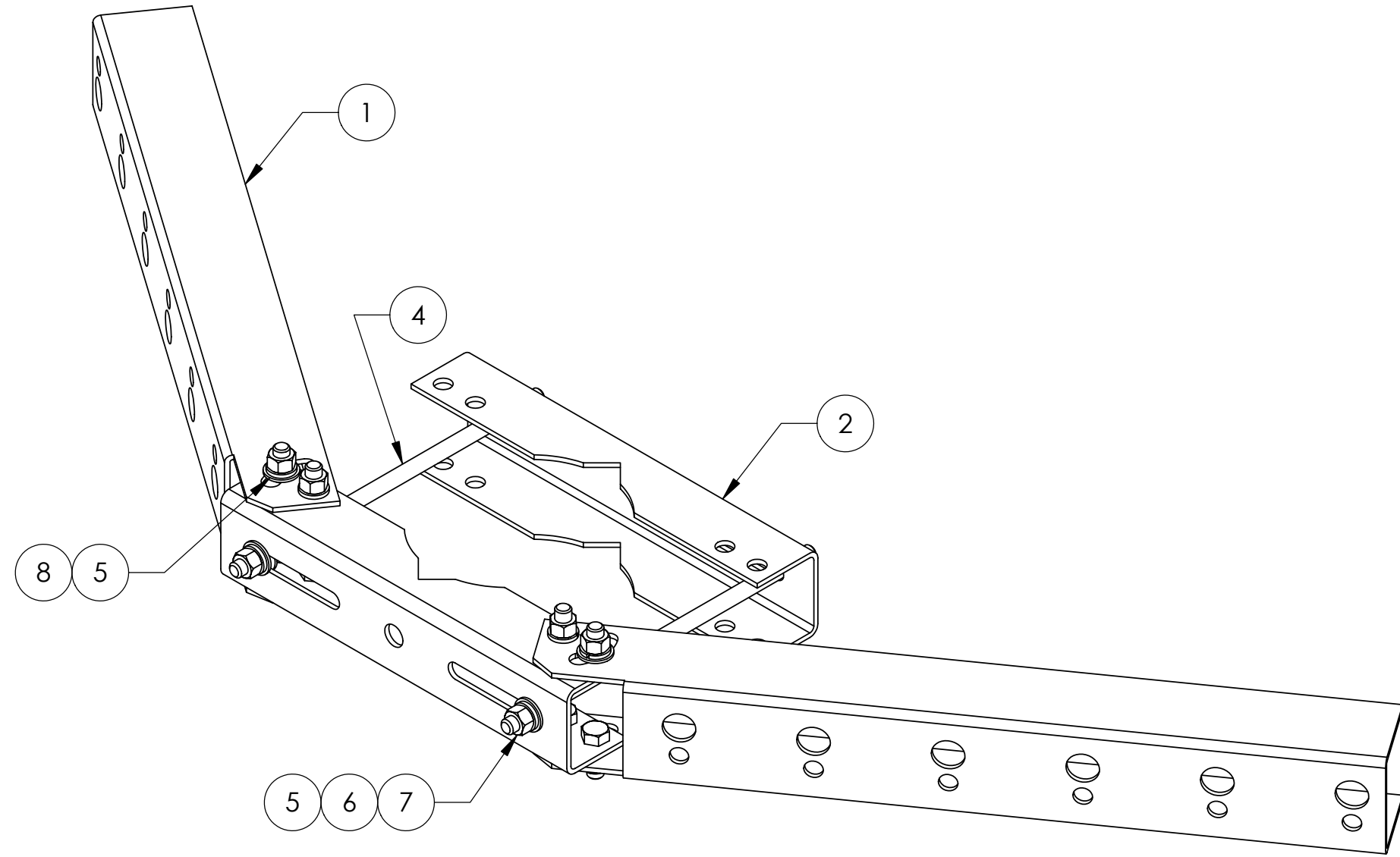


ITEM	PART NO.	DESCRIPTION	QTY.	WEIGHT
1	SSFB.02	STAR SUPPORT SINGLE FACE BRACKET	2	4.10 LBS
2	SS2550.01	STAR SUPPORT CLAMP	2	1.89 LBS
3	SS2FB2550H	HARDWARE KIT (ITEMS 4-8)	1	-
4	GD-03950	3/8" X 9-1/2" GALV. THREADED ROD	2	0.30 LBS
5	GWF-03	3/8" GALV FLAT WASHER	10	0.01 LBS
6	GWL-03	3/8" GALV LOCK WASHER	4	0.01 LBS
7	GN-03	3/8" GALV HEX NUT	6	0.08 LBS
8	GB-03105	3/8" X 1" GALV BOLT KIT	8	0.05 LBS

REVISIONS				
REV.	ZONE	DESCRIPTION	BY	DATE
A		INITIAL RELEASE	ACG	04/25/05



<p>These drawings and specifications are the proprietary property of ANDREW CORPORATION and may be used only for the specific purpose authorized in writing by Andrew Corporation.</p> <p>ALL DIMENSIONS ARE IN INCHES U.O.S. TOLERANCES UNLESS OTHERWISE SPECIFIED: .X = ± .06 ANGLES ± 2° .XX = ± .03 FRACTIONS ± 1/32 .XXX = ± .010</p> <p>REMOVE BURRS AND BREAK EDGES .005</p> <p>DO NOT SCALE THIS PRINT</p>	DRAWN BY: ACG	SHEET: 1 of 1	PART NUMBER: SS-2FB2550
	CHECKED BY: TP	SCALE: NTS	DESCRIPTION: STAR SUPPORT TEE BRACKET
	DATE: 04/25/05	MATERIAL: A568	DRAWING TYPE: ASSEMBLY DRAWING
	REVISION: A	FINISH: GALV A123	WEIGHT: 13.40 LBS