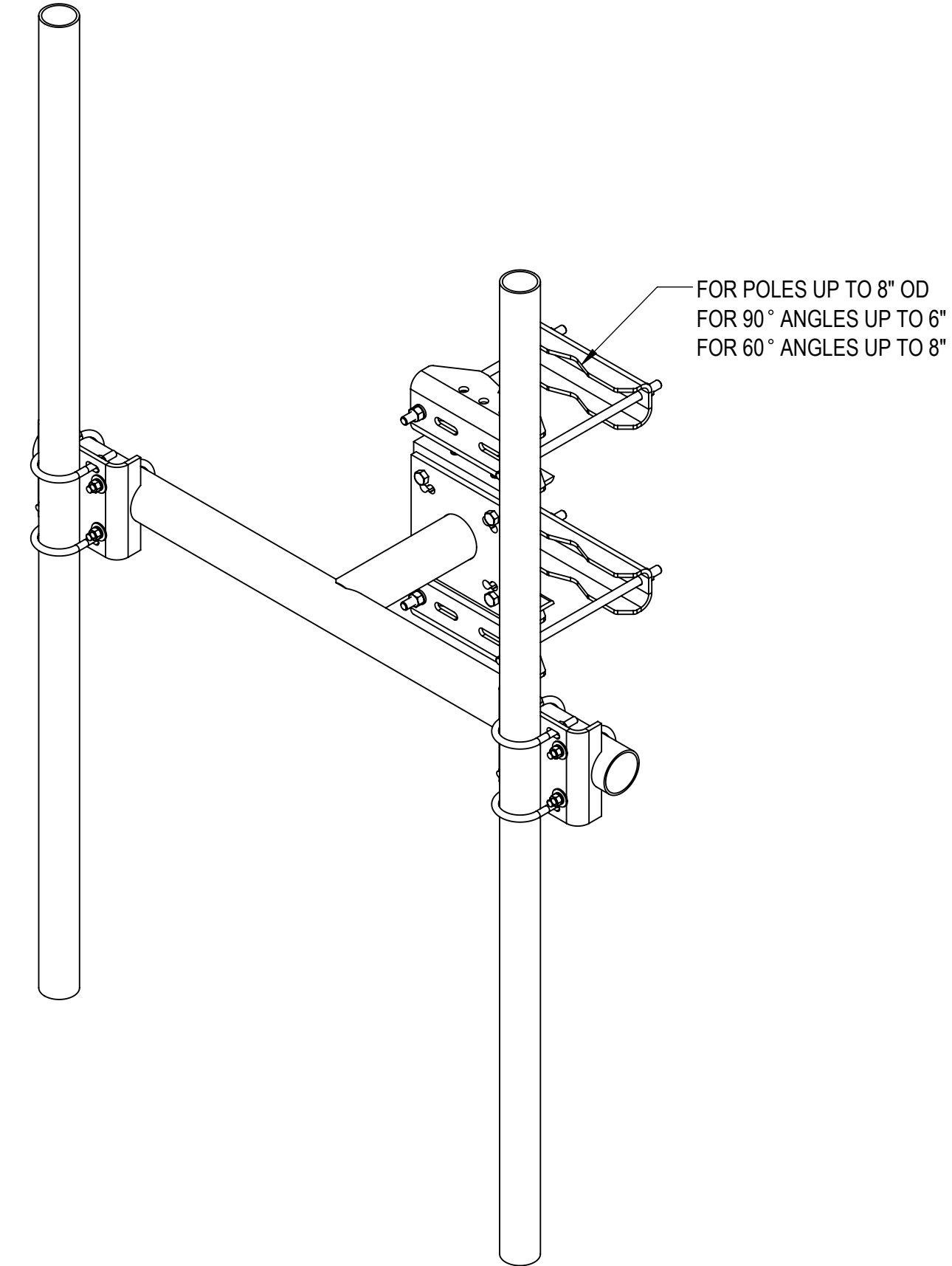


- 1.0 GENERAL NOTES
 - 1.1 ALL METRIC DIMENSIONS ARE IN BRACKETS [X. X]
 - 1.2 FOR PATENT INFO: <https://www.cs-pat.com>
- 2.0 DESIGN NOTES
 - 2.1 ANY HAZARDS OR OBSTRUCTIONS TO THE CLIMBING FACILITY AND SAFETY CLIMB MUST BE IDENTIFIED PRIOR TO INSTALLING THE APPURTENANCE. ADDITIONAL PRODUCTS MAY BE REQUIRED TO MAINTAIN THE INTEGRITY OF THE SAFETY CLIMB. DURING INSTALLATION, TEMPORARY AND/OR PERMANENT PRECAUTIONARY MEASURES SHOULD BE TAKEN TO PRESERVE THE CLIMBING FACILITY AND/OR SAFETY CLIMB.
- 3.0 MANUFACTURING/SPECIAL REQUIREMENTS
 - 3.1 TIGHTEN ALL BOLTS SECURING FLAT PLATES BY THE TURN-OF-NUT METHOD. TIGHTEN ALL U-BOLTS USING TURN-OF-NUT METHOD WITH ATTENTION TO LEAVE EQUAL DISTANCE AND EQUAL FORCE ON EACH LEG OF THE U-BOLT.
- 4.0 TEST
- 5.0 PACKAGING
 - 5.1 PACKAGING SHALL MEET COMMSCOPE REQUIREMENTS PER DOCUMENT IS-PL-3005
 - 5.2 PRINTED DOCUMENT TO BE PLACED INSIDE POLYBAG AND THEN IN SHIPPING CONTAINER
 - 5.3 EXTRA HARDWARE MAY BE SUPPLIED, BAGGED AND SHIPPED

REVISIONS			
REV.	DESCRIPTION	DATE	APPROVED
A	INITIAL RELEASE	MSM 05OCT09	TP
B	UPDATE 3-1/2" TABLE	MSM 07APR10	TP
C	SH2 CHG DIMS "TO SEE TABLE" & UPDATE FORMAT	RJC 23JUL18	TP 8000030766
D	REDRAWN SERIES DRAWING	YMENG 26SEP24	BA1025 40205482CMO

PART NUMBER	DESCRIPTION	WEIGHT (LBS)	INCLUDED PARTS																
			SFDPMHK	MTC996101	MT-219-H	MT-219M-H	MT-219L-H	MT-651	MT-651-84	MT-651-96	MT-537	MT54672	MT54684	MT54696	MT-546-126	MT54772	MT54784	MT54796	MT-547-126
SF-DPM-B	LATTICE TWR COLOCATION DUAL PIPE MOUNT	106.63	1	1	-	-	-	-	-	-	-	-	-	-	-	-	-	-	-
SF-DPM2-B	LATTICE TWR COLOCATION DUAL PIPE MOUNT, 2-3/8" OD PIPE	129.51	1	1	2	-	-	-	-	-	-	-	-	-	-	-	-	-	-
SF-DPM2-72	LATTICE TWR COLOCATION DUAL PIPE MOUNT, 2-3/8" OD X 72" PIPE	164.40	1	1	2	-	-	2	-	-	-	-	-	-	-	-	-	-	-
SF-DPM2-84	LATTICE TWR COLOCATION DUAL PIPE MOUNT, 2-3/8" OD X 84" PIPE	170.21	1	1	2	-	-	2	-	-	-	-	-	-	-	-	-	-	-
SF-DPM2-96	LATTICE TWR COLOCATION DUAL PIPE MOUNT, 2-3/8" OD X 96" PIPE	176.02	1	1	2	-	-	2	-	-	-	-	-	-	-	-	-	-	-
SF-DPM2-126	LATTICE TWR COLOCATION DUAL PIPE MOUNT, 2-3/8" OD X 126" PIPE	190.42	1	1	2	-	-	2	-	-	-	-	-	-	-	-	-	-	-
SF-DPM3-B	LATTICE TWR COLOCATION DUAL PIPE MOUNT, 2-7/8" OD PIPE	132.23	1	1	-	2	-	-	-	-	-	-	-	-	-	-	-	-	-
SF-DPM3-72	LATTICE TWR COLOCATION DUAL PIPE MOUNT, 2-7/8" OD X 72" PIPE	197.97	1	1	-	2	-	-	-	-	2	-	-	-	-	-	-	-	-
SF-DPM3-84	LATTICE TWR COLOCATION DUAL PIPE MOUNT, 2-7/8" OD X 84" PIPE	212.66	1	1	-	2	-	-	-	-	2	-	-	-	-	-	-	-	-
SF-DPM3-96	LATTICE TWR COLOCATION DUAL PIPE MOUNT, 2-7/8" OD X 96" PIPE	224.15	1	1	-	2	-	-	-	-	2	-	-	-	-	-	-	-	-
SF-DPM3-126	LATTICE TWR COLOCATION DUAL PIPE MOUNT, 2-7/8" OD X 126" PIPE	254.32	1	1	-	2	-	-	-	-	2	-	-	-	-	-	-	-	-
SF-DPM35-B	LATTICE TWR COLOCATION DUAL PIPE MOUNT, 3-1/2" OD PIPE	132.21	1	1	-	2	-	-	-	-	-	-	-	-	-	-	-	-	-
SF-DPM35-72	LATTICE TWR COLOCATION DUAL PIPE MOUNT, 3-1/2" OD X 72" PIPE	205.02	1	1	-	2	-	-	-	-	-	-	-	2	-	-	-	-	-
SF-DPM35-84	LATTICE TWR COLOCATION DUAL PIPE MOUNT, 3-1/2" OD X 84" PIPE	217.16	1	1	-	2	-	-	-	-	-	-	-	2	-	-	-	-	-
SF-DPM35-96	LATTICE TWR COLOCATION DUAL PIPE MOUNT, 3-1/2" OD X 96" PIPE	229.29	1	1	-	2	-	-	-	-	-	-	-	2	-	-	-	-	-
SF-DPM35-126	LATTICE TWR COLOCATION DUAL PIPE MOUNT, 3-1/2" OD X 126" PIPE	256.07	1	1	-	2	-	-	-	-	-	-	-	2	-	-	-	-	2



COMMSCOPE, INC. OF NORTH CAROLINA

TOLERANCES		SAP MATERIAL MASTER							
1 PLACE .X[X] ± 0.2[6.3]	3 PLACE .XXX[X] ± 0.060[1.5]	SEE TABLE 1							
2 PLACE .XX[X] ± 0.12[3.0]	ANGLES ± 2°								
FINISH		MATERIAL							
UNLESS OTHERWISE SPECIFIED DIMENSIONS ARE IN INCHES INTERPRET PER ANSI Y 14.5M-1994		TITLE							
CE	MSM	05OCT09	LATTICE TOWER DUAL PIPE MOUNT SERIES						
RW	YMENG	09/26/2024							
AD	BA1025	09/26/2024							
RE	YMENG	10/16/2024							
ECN 40205482CMO		SCALE	DOCUMENT NO.						
		1:10	SF-DPM SERIES						
SIZE	Auth Group	INSL	MODEL						
C			VERSION	STATUS	REVISION	VERSION	STATUS	REVISION	SHEET
			01	RE	D	01	RE	D	1 OF 1