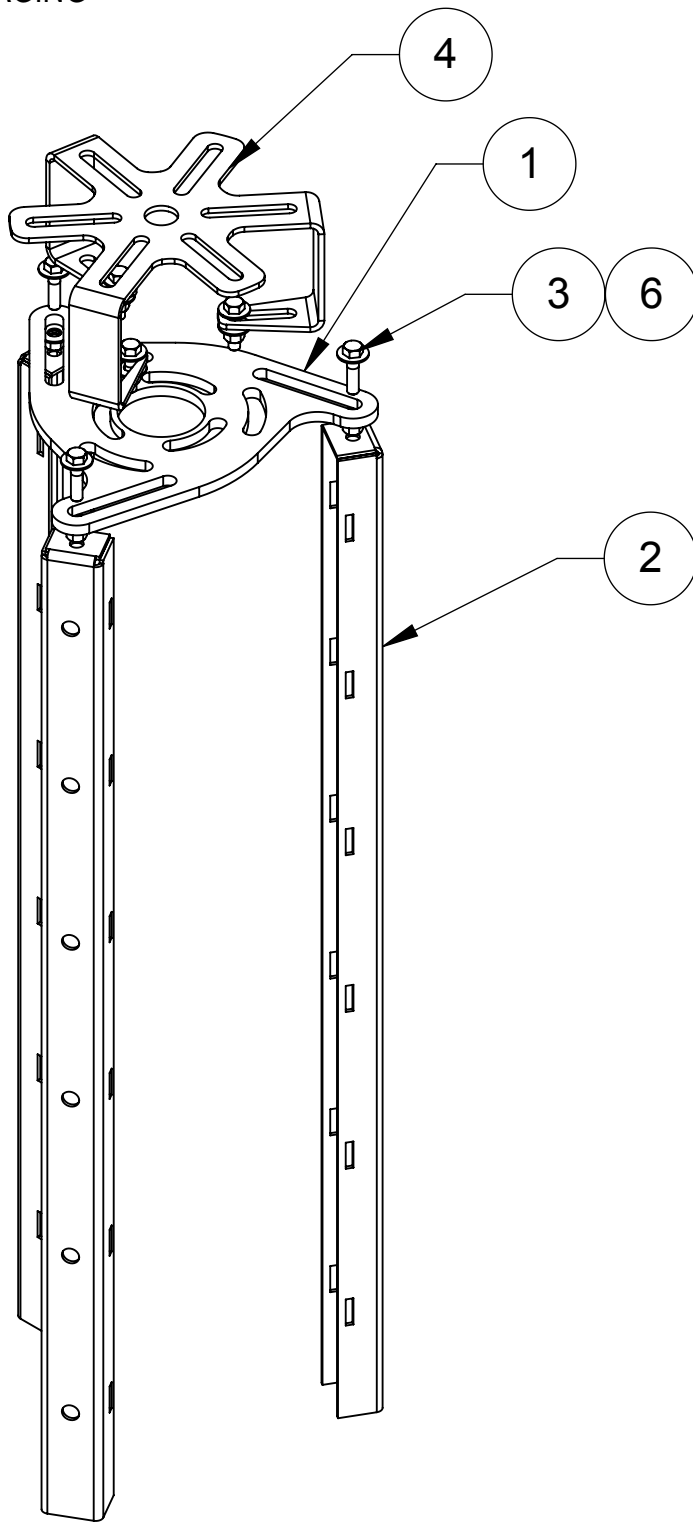


NOTES:

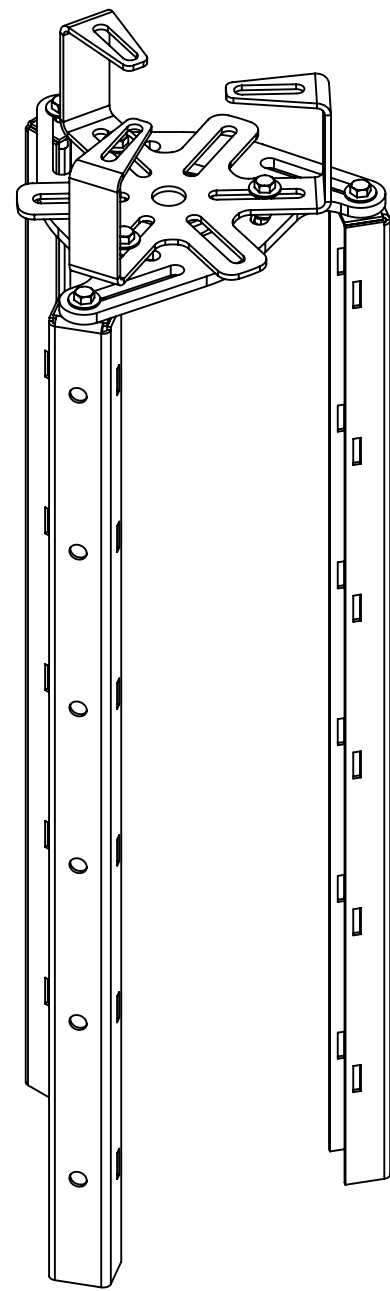
- 1.0 GENERAL
  - 1.1 ALL METRIC DIMENSIONS ARE IN BRACKETS
  - 1.2 MARK PART WITH IDENTIFICATION NUMBER
- 2.0 DESIGN NOTES
  - 2.1 FOR PANEL ANTENNA, MAX EPA - 2.9 SQ.FT
  - 2.2 NO ANTENNA MOUNTING AND POLE ATTACHMENT HARDWARE PROVIDED
- 3.0 MANUFACTURING/SPECIAL REQUIREMENTS
- 4.0 TEST
- 5.0 PACKAGING

# SCPTW - POLE DIA 8- 10" OD

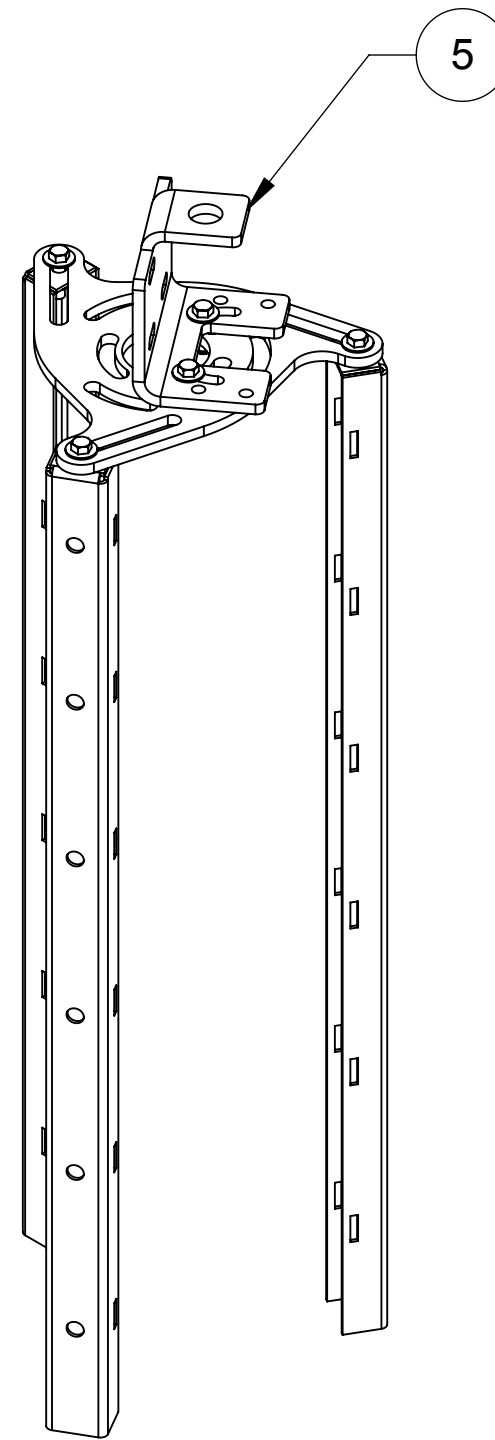
REVISIONS				
REV.	ECN	DESCRIPTION	BY	DATE
A	8000027946	INITIAL RELEASE	FA	02/14/18
B	8000028833	CHANGE Z BRKT TO U BRKT	FA	3/12/2018
C	8000030749	COMBINED CANISTER AND PANEL BRKT	FA	7/16/2018
D	8000032949	ADD SCTWL, SCPTW1& FOR POLE DIA 10-16"	FA	1/22/2019



ASSEMBLY FOR UNIVERSAL ANT MOUNT, MTC401211



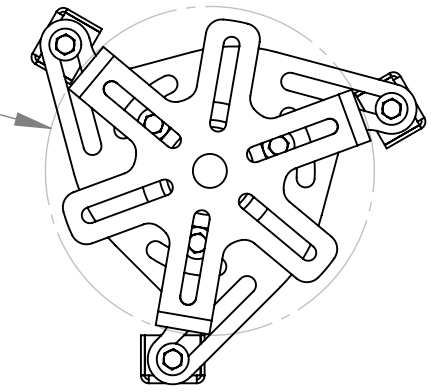
ASSEMBLY FOR FLIPPED UNIVERSAL ANT MOUNT, MTC401211



ASSEMBLY FOR MTC401218, GALETRONICS BRKT -1" OD STEM

POLE DIA RANGE 8-10"

Ø 10 [261.1]



4.2 [106.4]

Ø .56 [14.3]

1 [25.4]

.22 [5.5]

37 [930.3]

SAP MATERIAL MASTER	POLE OD	LEG LENGTH
SCPTW	8-10"	37"
SCPTWL	10-16"	37"
SCPTW16	8-10"	16"
SCPTWL16	10-16"	16"

COMPATIBLE ANTENNAS			
OEM	MODELS	GALETRONICS BRACKET	UNIVERSAL ANTENNA MOUNT
GALTRONICS	P6480i	x	
AMPHENOL	CUUT070X06Fxyz0		x
KATHERIN	80010783 /80010784		x
KMW	FX-OM2L10H2	x	x
COMMSCOPE	(RR) / VVSP-360S-F		x
COMMSCOPE	NH360QS-DG-F0M		x
COMMSCOPE	CH360QS-DG-F2M		x
COMMSCOPE	NH360QS-G-F0M		x
KATHERIN	80010783/80010784		x
COMMSCOPE	NH180QS-DG-F0M		x
COMMSCOPE	NH65PS-DG-F0M		x
COMMSCOPE	V4PP-360S-F		x

## COMMSCOPE, INC. OF NORTH CAROLINA

TOLERANCES		SAP MATERIAL MASTER
0 PLACE .X ± .25	2 PLACE .XX ± 0.06	SEE TABLE
1 PLACE .X ± 0.12	ANGLES ± 2°	

FINISH GALV A123	MATERIAL A1011/A1018 GR36
------------------	---------------------------

UNLESS OTHERWISE SPECIFIED DIMENSIONS ARE IN INCHES INTERPRET PER ANSI Y 14.5M-1994	NAME	DATE	TITLE			
	CE FA1024	12/14/2018	SMALL CELL, POLE TOP ANT MNT, W/3 CHNLS			
	RW FA1024	01/22/2019				
	RV RD1048	01/22/2019				
RE FA1024	01/22/2019					
ECN 008000032949	SCALE 1:6	DOCUMENT NO.	SCPTW			
SIZE WORK AREA 24	MODEL	DRAWING			SHEET 1 OF 4	
C	VERSION 03	STATUS RE	REVISION D	VERSION 03		STATUS RE

ITEM	PART NO.	DESCRIPTION	QTY.	WEIGHT	NOTE NO.
1	MTC401215	PLATE, SCPTW, 8-11" POLES, .375 IN THICK	1	4.92 LBS	
2	MTC401214	CHANNEL, SCPTW, 1.5 X 1.5 X 36.5, 11 GA	3	5.61 LBS	
3	GB-03145	3/8" X 1-1/2" GALV BOLT KIT	6	0.07 LBS	
4	MTC401211	UNIVERSAL ANTENNA MOUNT	1	3.27 LBS	
5	MTC401218	MOUNT, PANEL/CANISTER ANTENNA	1	4.57 LBS	
6	GWF-03	3/8" GALV FLAT WASHER	12	0.01 LBS	

4

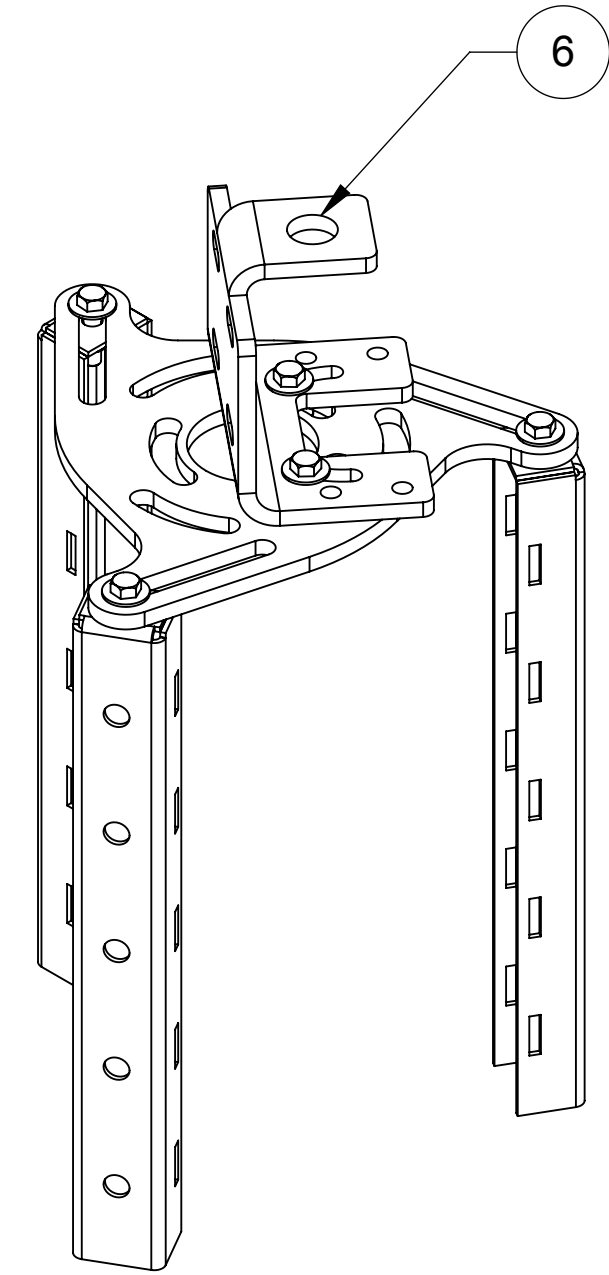
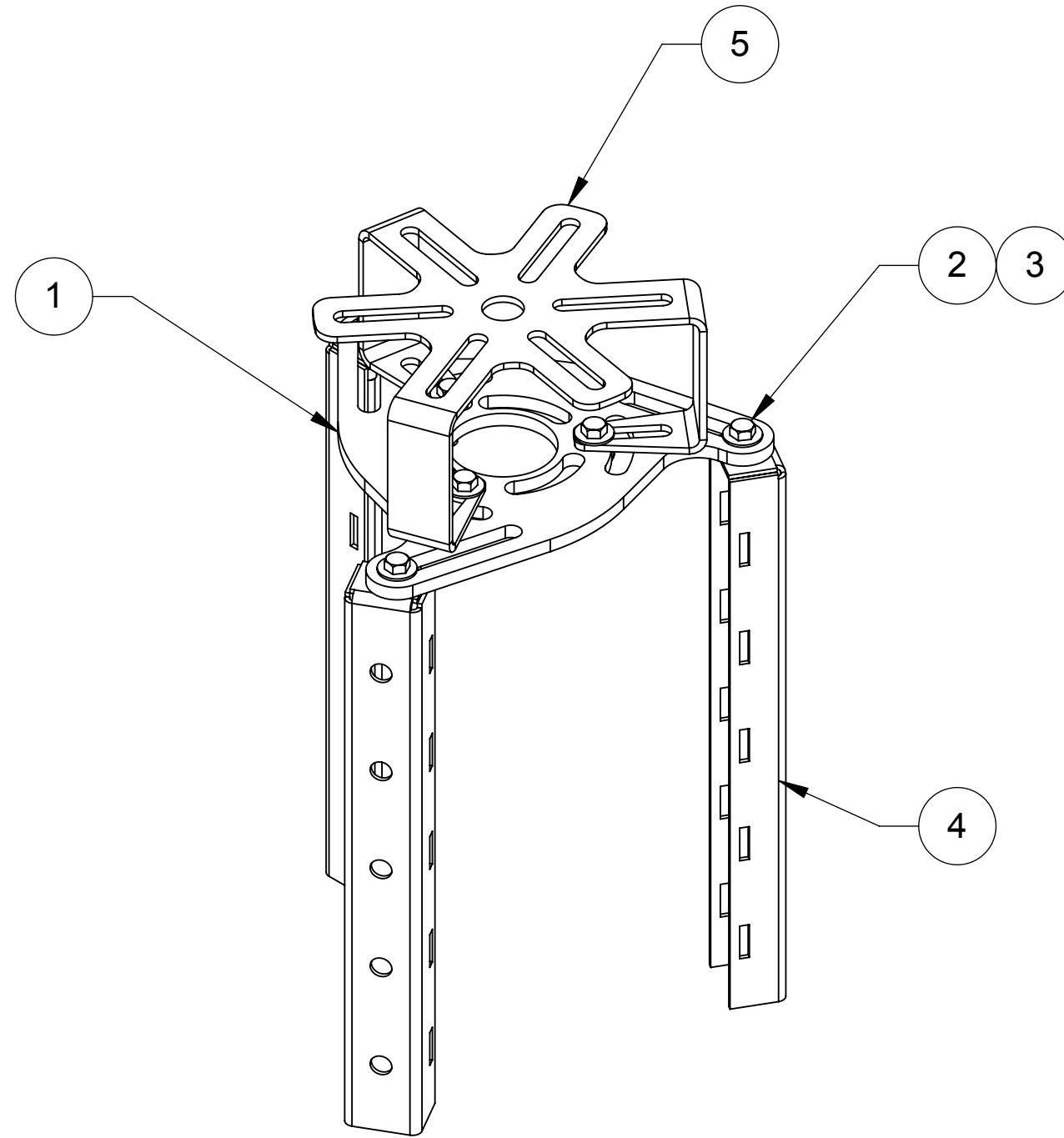
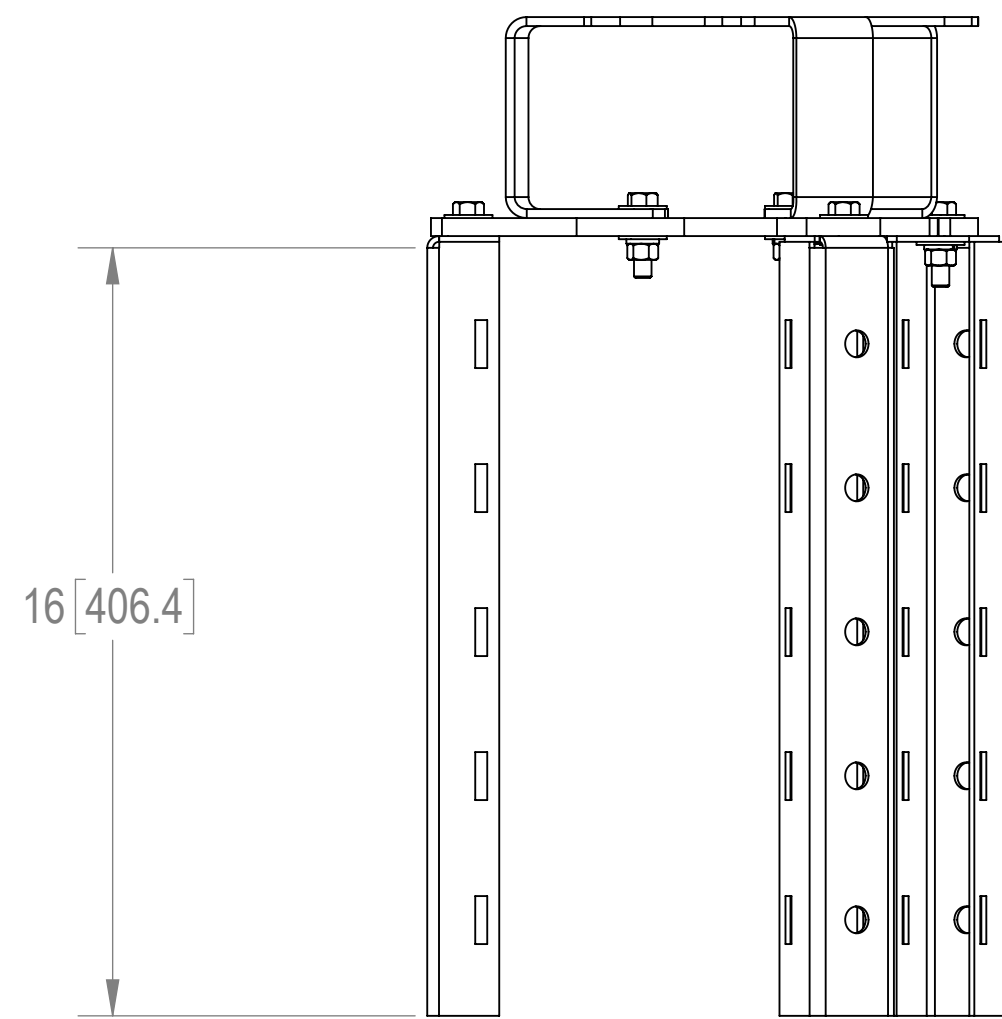
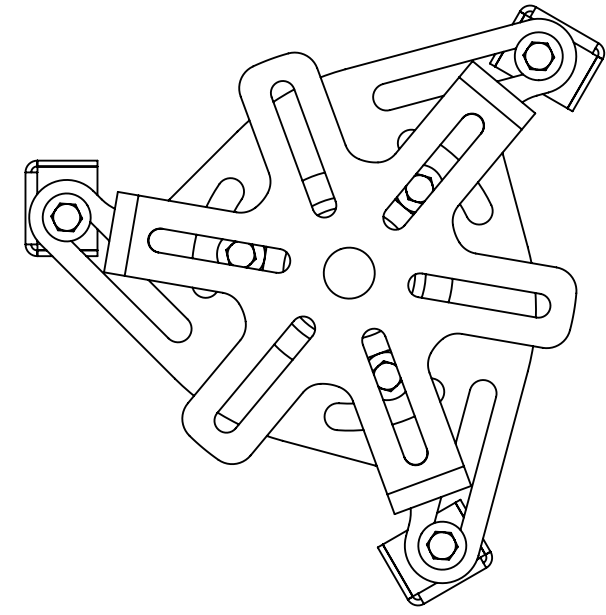
3

2

1

NOTES:

# SCPTW16 POLE DIA 8- 10" OD



ITEM	PART NO.	DESCRIPTION	QTY.	WEIGHT	NOTE NO.
1	MTC401215	PLATE, SCPTW, 8-11" POLES, .375 IN THICK	1	4.92 LBS	
2	GB-03145	3/8" X 1-1/2" GALV BOLT KIT	6	0.07 LBS	
3	SWF-03	3/8" SS FLAT WASHER	12	0.01 LBS	
4	MTC401219	CHANNEL, SCPTW, 1.5 X 1.5 X 16"	3	2.45 LBS	
5	MTC401211	UNIVERSAL ANTENNA MOUNT	1	3.27 LBS	
6	MTC401218	MOUNT, PANEL/CANISTER ANTENNA	1	4.57 LBS	

COMMSCOPE, INC. OF NORTH CAROLINA			
TITLE SMALL CELL, POLE TOP ANT MNT, W/3 CHNLS			
SIZE <b>C</b>	SCALE <b>1:4</b>	DOCUMENT NO. <b>SCPTW</b>	
DRAWING		VERSION	STATUS
REVISION		03	RE
SHEET		2 OF 4	

4

3

2

1

4

3

2

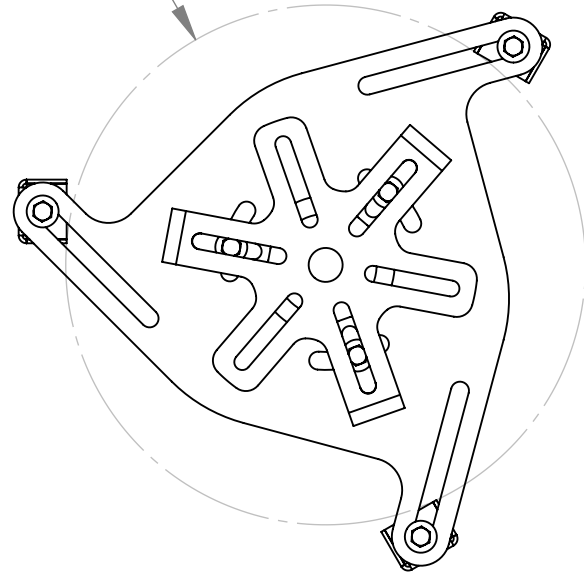
1

NOTES:

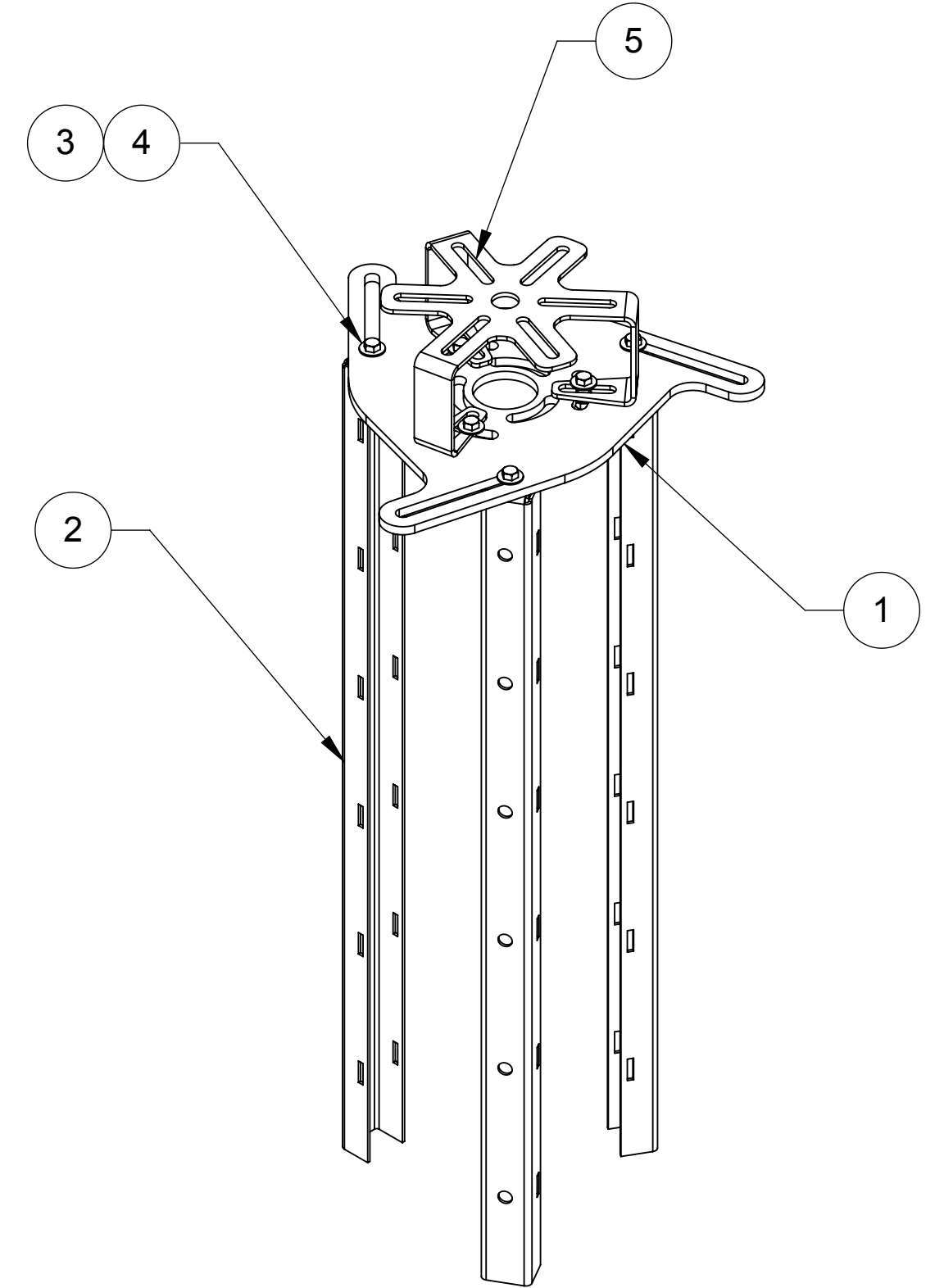
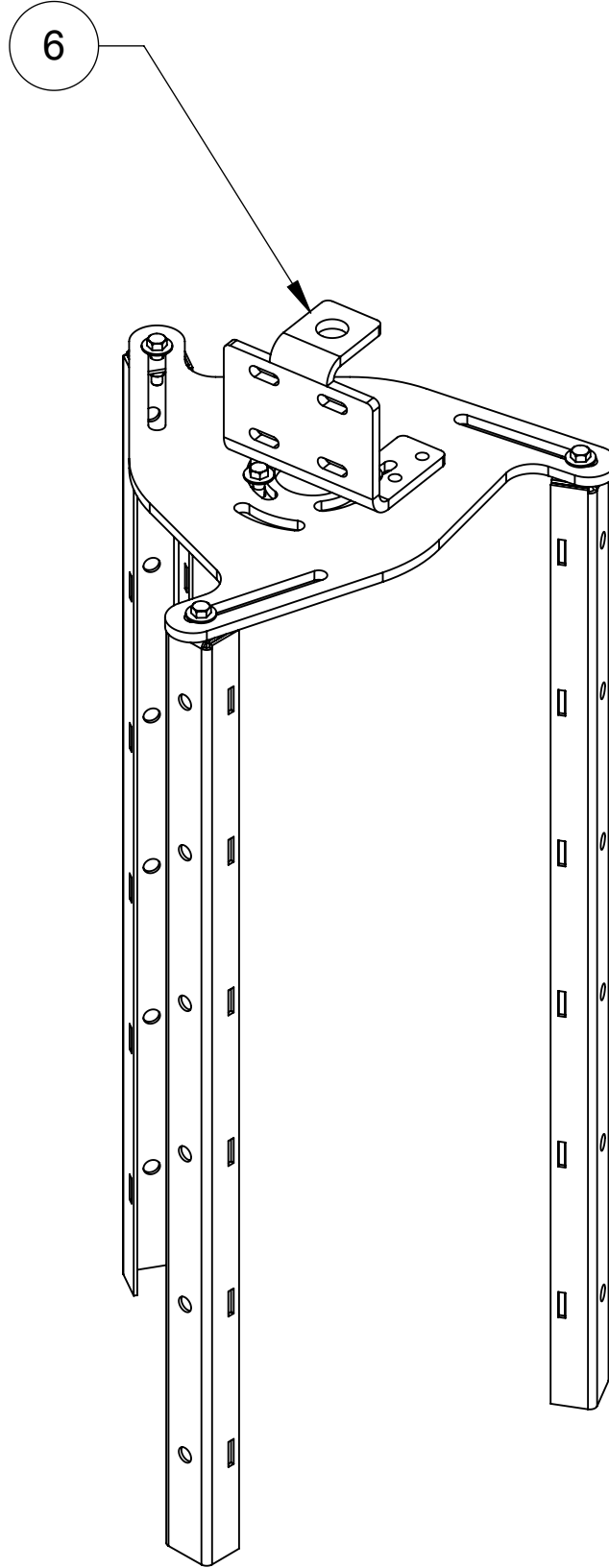
# SCPTWL - POLE DIA 10-16" OD

POLE DIA RANGE  
10-16" OD

Ø 16 [412.6]



4.2 [106.4]



ITEM	PART NO.	DESCRIPTION	QTY.	WEIGHT	NOTE NO.
1	MTC401215L	PLATE, SCPTW, 10-16" OD POLES	1	12.24 LBS	
2	MTC401214	CHANNEL, SCPTW, 1.5 X 1.5 X 36.5, 11 GA	3	5.61 LBS	
3	GB-03145	3/8" X 1-1/2" GALV BOLT KIT	6	0.07 LBS	
4	GWF-03	3/8" GALV FLAT WASHER	12	0.01 LBS	
5	MTC401211	UNIVERSAL ANTENNA MOUNT	1	3.27 LBS	
6	MTC401218	MOUNT, PANEL/CANISTER ANTENNA	1	4.57 LBS	

COMMSCOPE, INC. OF NORTH CAROLINA				
TITLE SMALL CELL, POLE TOP ANT MNT, W/3 CHNLS				
SIZE <b>C</b>	SCALE <b>1:6</b>	DOCUMENT NO. <b>SCPTW</b>		
DRAWING		SHEET		
VERSION 03	STATUS RE	REVISION D	3 OF 4	

© 2019 CommScope, Inc.

4

3

2

1

4

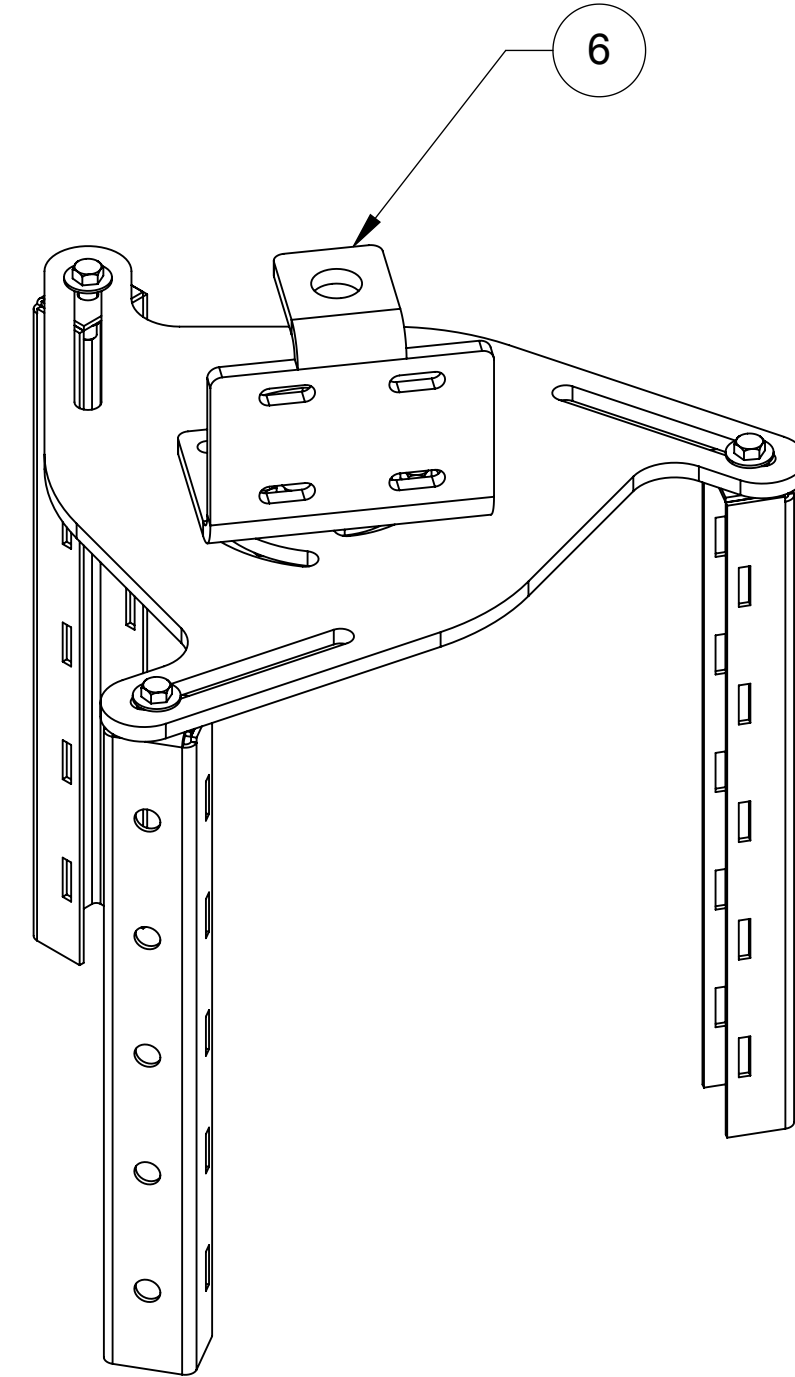
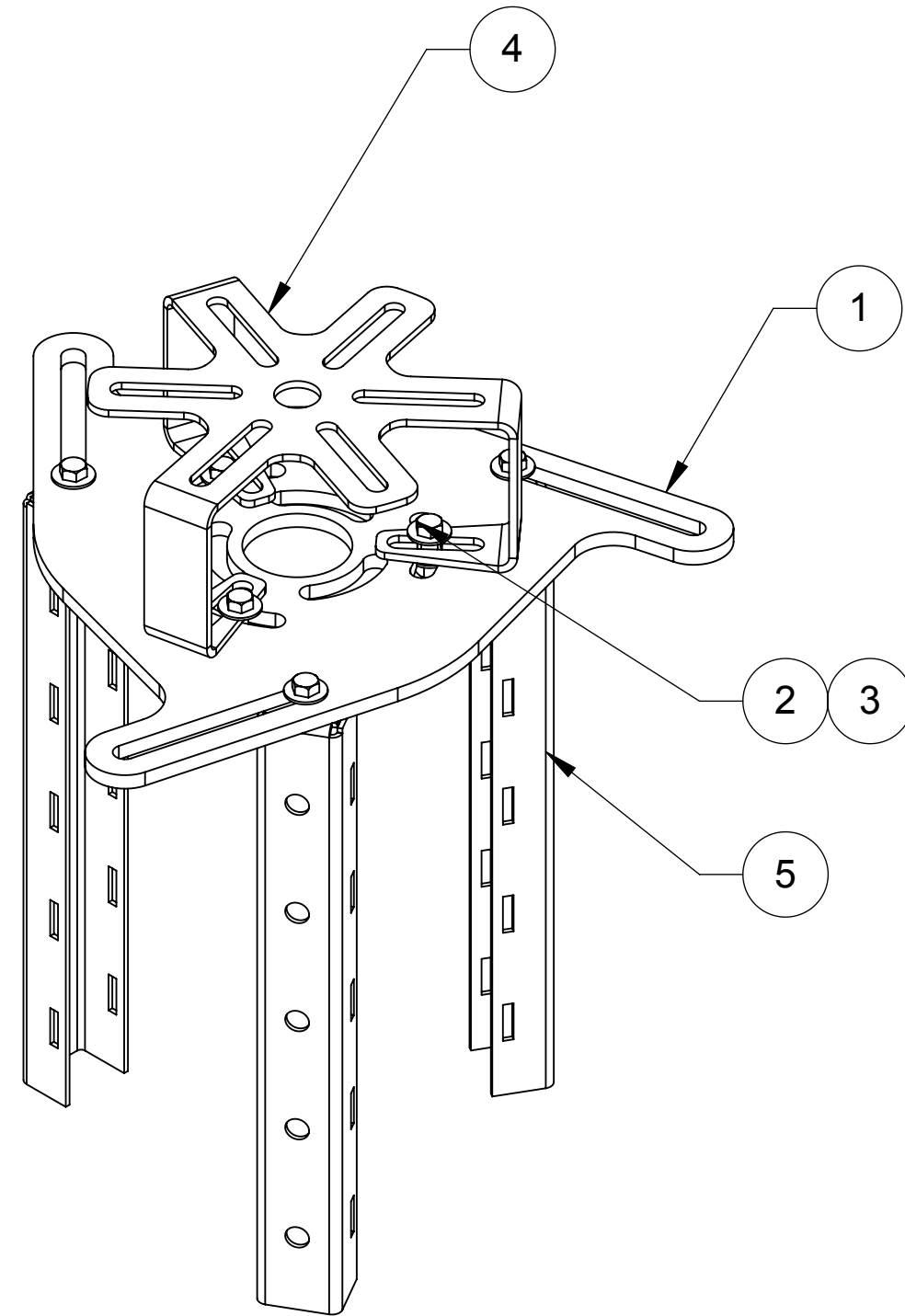
3

2

1

NOTES:

# SCPTWL16 - POLE DIA 10-16" OD



ITEM	PART NO.	DESCRIPTION	QTY.	WEIGHT	NOTE NO.
1	MTC401215L	PLATE, SCPTW, 10-16" OD POLES	1	12.24 LBS	
2	GB-03145	3/8" X 1-1/2" GALV BOLT KIT	6	0.07 LBS	
3	SWF-03	3/8" SS FLAT WASHER	12	0.01 LBS	
4	MTC401211	UNIVERSAL ANTENNA MOUNT	1	3.27 LBS	
5	MTC401219	CHANNEL, SCPTW, 1.5 X 1.5 X 16"	3	2.45 LBS	
6	MTC401218	MOUNT, PANEL/CANISTER ANTENNA	1	4.57 LBS	

COMMSCOPE, INC. OF NORTH CAROLINA			
TITLE SMALL CELL, POLE TOP ANT MNT, W/3 CHNLS			
SIZE <b>C</b>	SCALE <b>1:4</b>	DOCUMENT NO. <b>SCPTW</b>	
DRAWING			SHEET
VERSION 03	STATUS RE	REVISION D	4 OF 4

© 2019 CommScope, Inc.

4

3

2

1