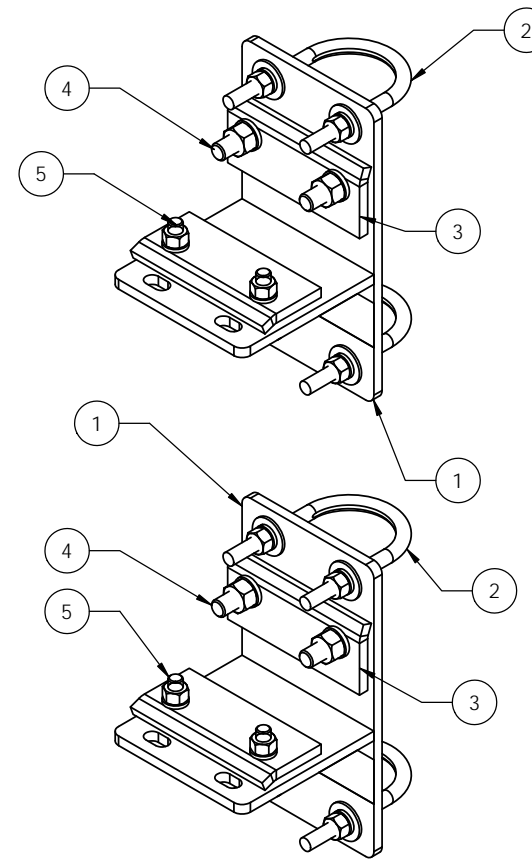
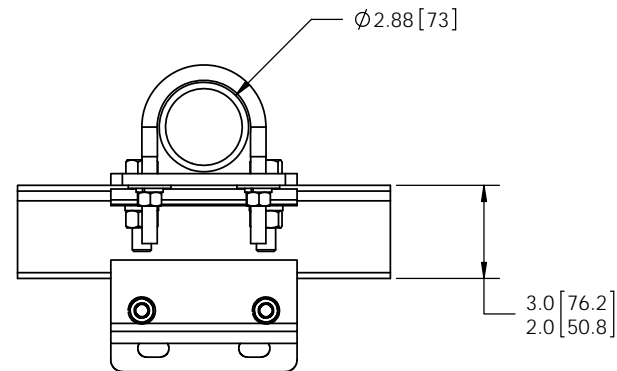


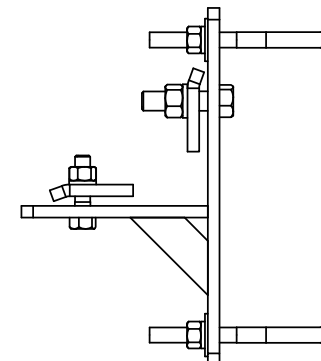
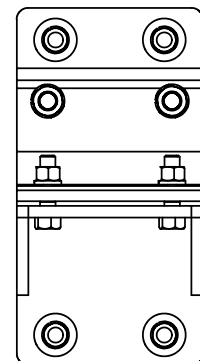
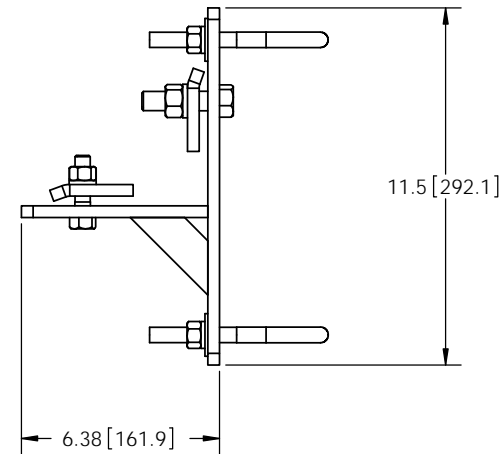
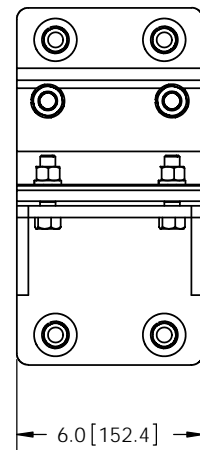
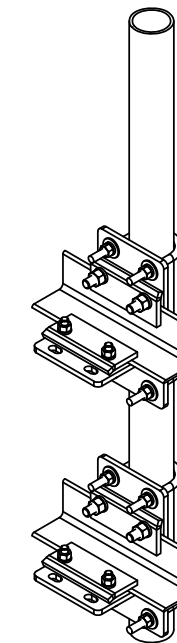
NOTES:

1. ALL METRIC DIMENSIONS ARE IN BRACKETS.
2. FITS 2" - 3" 90° ANGLES.
3. HARDWARE SUPPLIED FOR 2.88" OD PIPE.
2.38" OD PIPE HARDWARE SOLD SEPARATELY.

REV.		ECN	REVISIONS DESCRIPTION	BY	DATE
A		8000019483	INITIAL RELEASE	DRR	1/24/17



IN USE ATTACHED TO ANGLE MEMBERS



COMMScope, INC. OF NORTH CAROLINA

TOLERANCES		SAP MATERIAL MASTER	
0 PLACE X ± .25	2 PLACE XX ± .06	RRU-AM-2	
1 PLACE X ± .12	ANGLES ± 2°		
FINISH		MATERIAL	
GALV A123		A36	
UNLESS OTHERWISE SPECIFIED, DIMENSIONS ARE IN MILLIMETERS INTERPRET PER ISO STANDARDS HANDBOOK TECHNICAL DRAWINGS, VOLUMES 1 & 2, THIRD EDITION (2002)		NAME	DATE
		CE RJC	12/20/16
		RW	
		RV	
		AD	
		RE TP	12/20/16
		ECN	8000019483
		TITLE	T-MOUNT KIT
		SCALE	DOCUMENT NO.
		1:4	RRU-AM-2
SIZE		WORK AREA	MODEL
C			VERSION
HEIGHT		STATUS	REVISION
LENGTH		VERSION	STATUS
WIDTH		REVISION	REVISION
			A
			1 OF 1

ITEM	PART NO.	DESCRIPTION	QTY.	WEIGHT
1	MTC338603	T-MOUNT WELDMENT	2	11.18 LBS
2	GUB-4352	1/2" X 3" X 5-1/4" GALV U-BOLT	4	0.71 LBS
3	MTC7902AL07	PINCH PLATE	4	1.60 LBS
4	GB-05245	5/8" X 2-1/2" GALV BOLT KIT	4	0.30 LBS
5	GB-04205	1/2" X 2" GALV BOLT KIT	4	0.16 LBS