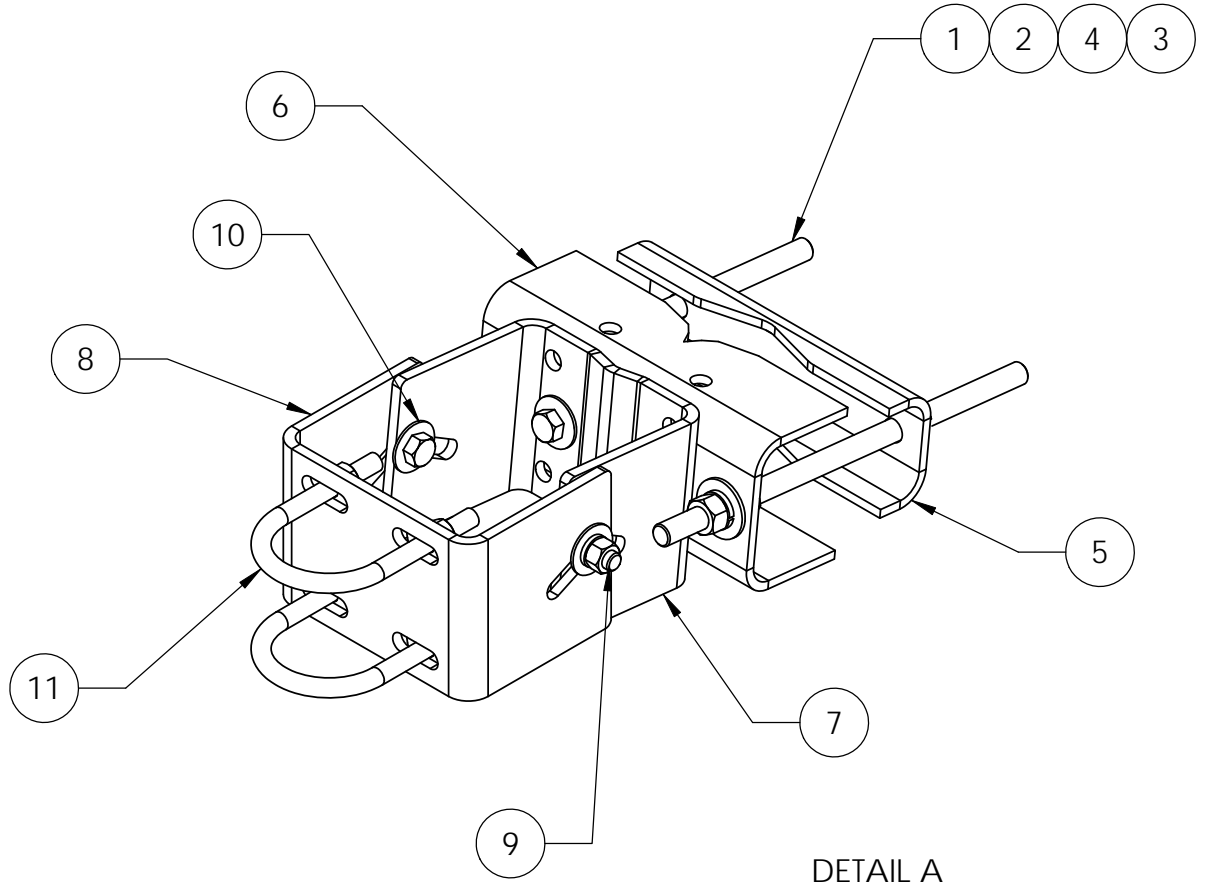
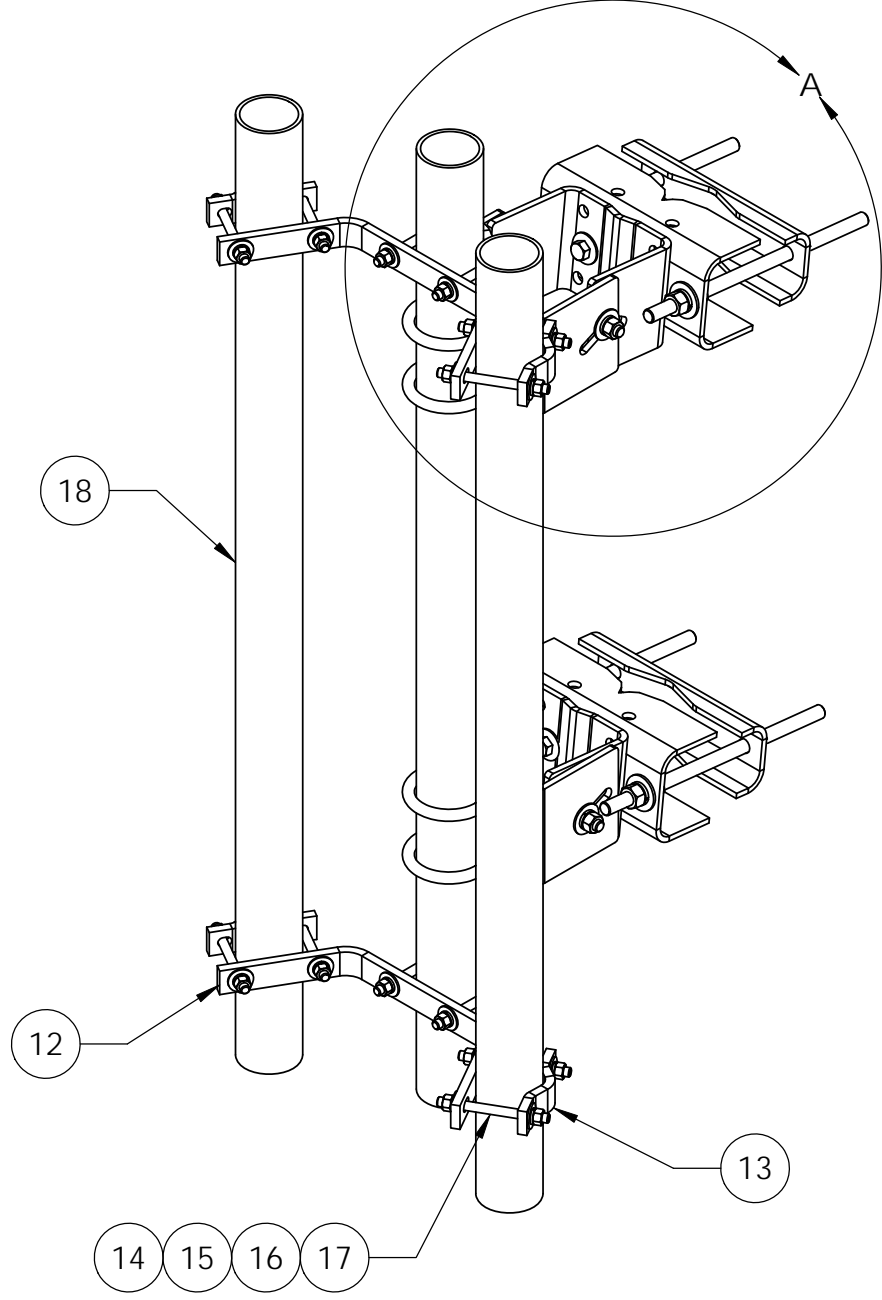


ITEM	PART NO.	DESCRIPTION	QTY.	WEIGHT
1	MT-384-16	3/4" X 16" GALV THREADED ROD	4	1.99 LBS
2	GN-06	3/4" GALV HEX NUT	12	0.04 LBS
3	GWF-06	3/4" GALV FLAT WASHER	8	0.10 LBS
4	GWL-06	3/4" GALV LOCK WASHER	8	0.09 LBS
5	SMU2080.06	CLAMP PLATE	2	6.43 LBS
6	SMU208004	MOUNT	2	12.15 LBS
7	MTC9851.01	INNER CHANNEL	2	11.41 LBS
8	MTC9851.02	OUTER CHANNEL	2	11.78 LBS
9	GB-05205	5/8" X 2" GALV BOLT KIT	8	0.27 LBS
10	GWF-05	5/8" GALV FLAT WASHER	16	0.06 LBS
11	GUB-53560	5/8" X 3-5/8" X 6" GALV U-BOLT	4	1.44 LBS
12	DAC2	DOUBLE ANTENNA CLAMP	2	4.75 LBS
13	SCP10	SMALL DISH CLAMP HALF	6	1.20 LBS
14	GN-04	1/2" GALV HEX NUT	24	0.04 LBS
15	GWL-04	1/2" GALV LOCK WASHER	24	0.09 LBS
16	GWF-04	1/2" GALV FLAT WASHER	24	0.06 LBS
17	MT-379-6	1/2" X 6" GALV THREADED ROD	12	0.33 LBS
18	MT54760	Ø 3.5" O.D. X 60" PIPE	3	37.68 LBS

REVISIONS				
REV.	ZONE	DESCRIPTION	BY	DATE
A		INITIAL RELEASE	DRR	12/13/11

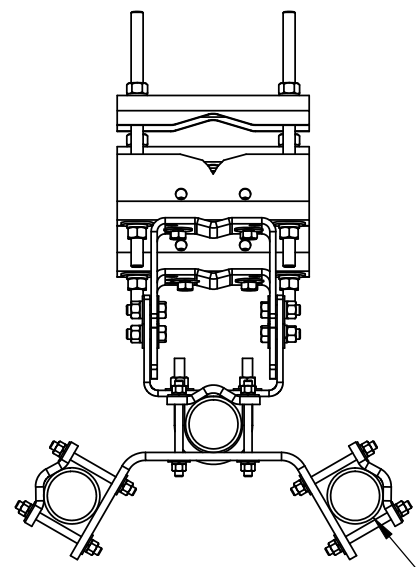


DETAIL A  
SCALE 1 : 6

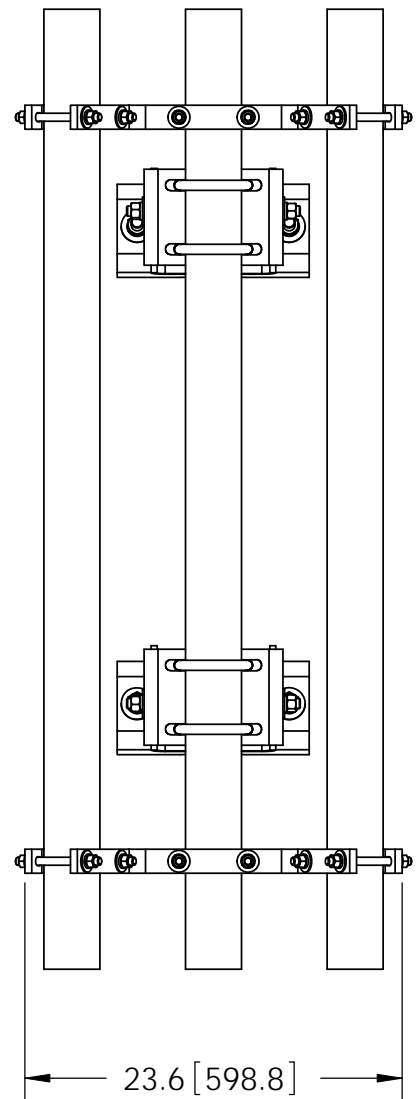


NOTES:  
1. ALL METRIC DIMENSIONS ARE IN BRACKETS.

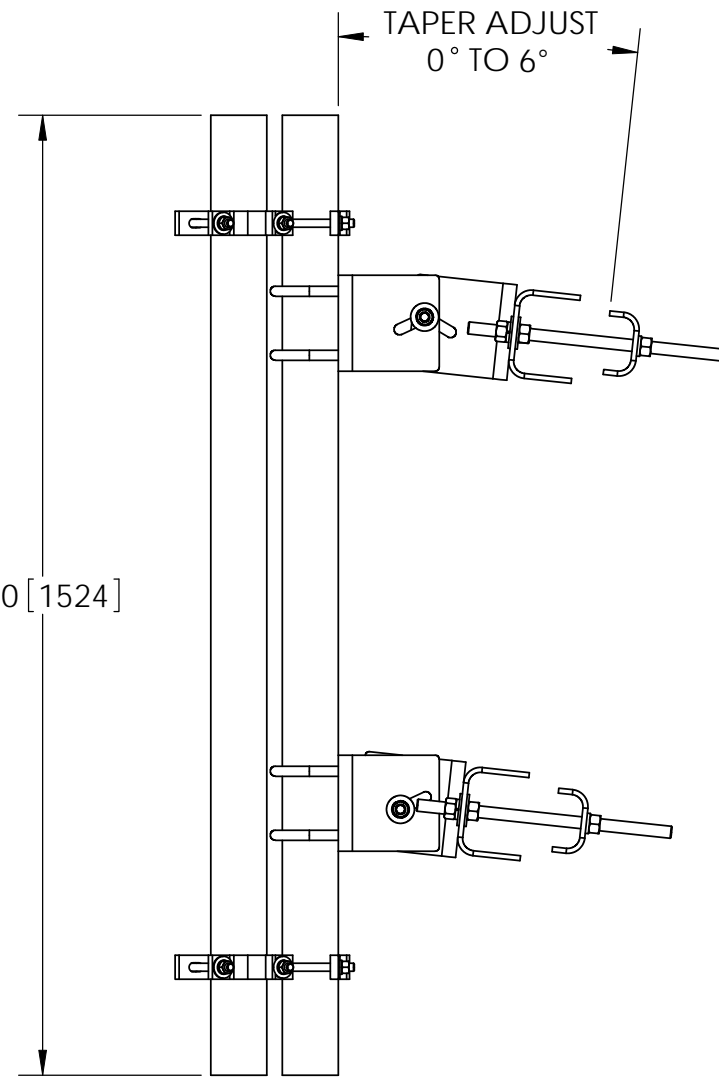
These drawings and specifications are the proprietary property of CommScope Inc. and may be used only for the specific purpose authorized in writing by CommScope Inc.  ALL DIMENSIONS ARE IN INCHES U.O.S. TOLERANCES UNLESS OTHERWISE SPECIFIED: .X = ± .12      ANGLES      ±2° .XX = ± .06      FRACTIONS      ±1/32 .XXX = ± .031  REMOVE BURRS AND BREAK EDGES .005  DO NOT SCALE THIS PRINT	DRAWN BY: DRR	SHEET: 1 of 2	PART NUMBER: RR-DPM
	CHECKED BY: TP	SCALE: NTS	DESCRIPTION: Universal Open Pipe Mount
	DATE: 12/13/11	MATERIAL: A36, A53	DRAWING TYPE: ASSEMBLY DRAWING
	REVISION: <b>A</b>	FINISH: GALV A123	WEIGHT: 240.53 LBS



Ø 3.50 [88.9]

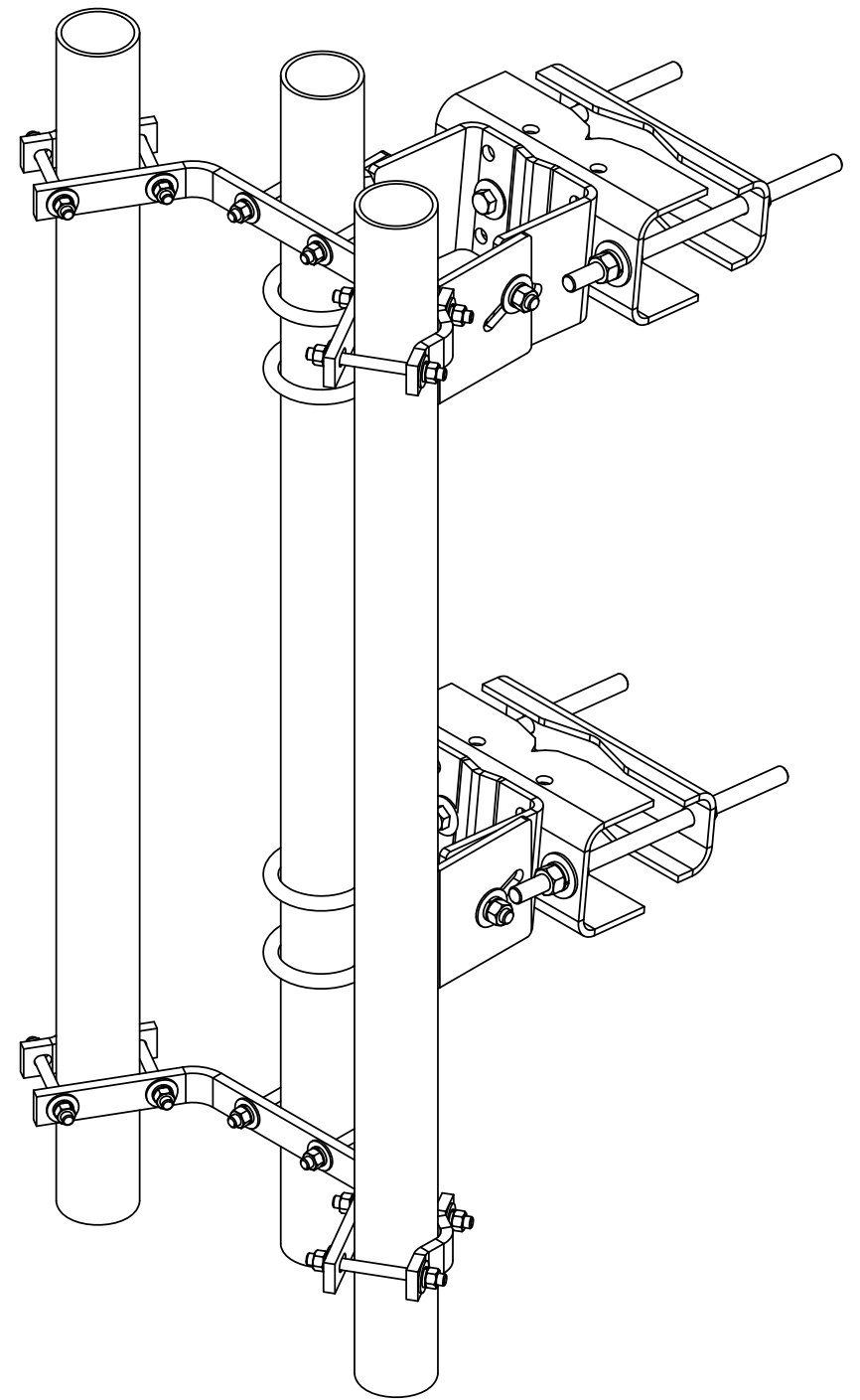


23.6 [598.8]




60.0 [1524]

TAPER ADJUST  
0° TO 6°



NOTES:

1. ALL METRIC DIMENSIONS ARE IN BRACKETS.
2. FITS ROUND OR ANGLE 60° MEMBERS 2-3/8" TO 8", OR ANGLE 90° MEMBERS 2-3/8" TO 6".

<p>These drawings and specifications are the proprietary property of ANDREW CORPORATION and may be used only for the specific purpose authorized in writing by Andrew Corporation.</p> <p>ALL DIMENSIONS ARE IN INCHES U.O.S. TOLERANCES UNLESS OTHERWISE SPECIFIED:</p> <p>.X = ± .12      ANGLES      ±2° .XX = ± .06      FRACTIONS      ±1/32 .XXX = ± .031</p> <p>REMOVE BURRS AND BREAK EDGES .005</p> <p>DO NOT SCALE THIS PRINT</p>	DRAWN BY: DRR	SHEET: 2 of 2	PART NUMBER: RR-DPM
	CHECKED BY: TP	SCALE: NTS	DESCRIPTION: Universal Open Pipe Mount
	DATE: 12/13/11	MATERIAL: A36, A53	DRAWING TYPE: ASSEMBLY DRAWING
	REVISION: <b>A</b>	FINISH: GALV A123	 <p>WESTCHESTER, IL. 60154 U.S.A.</p>
	WEIGHT: 240.53 LBS		