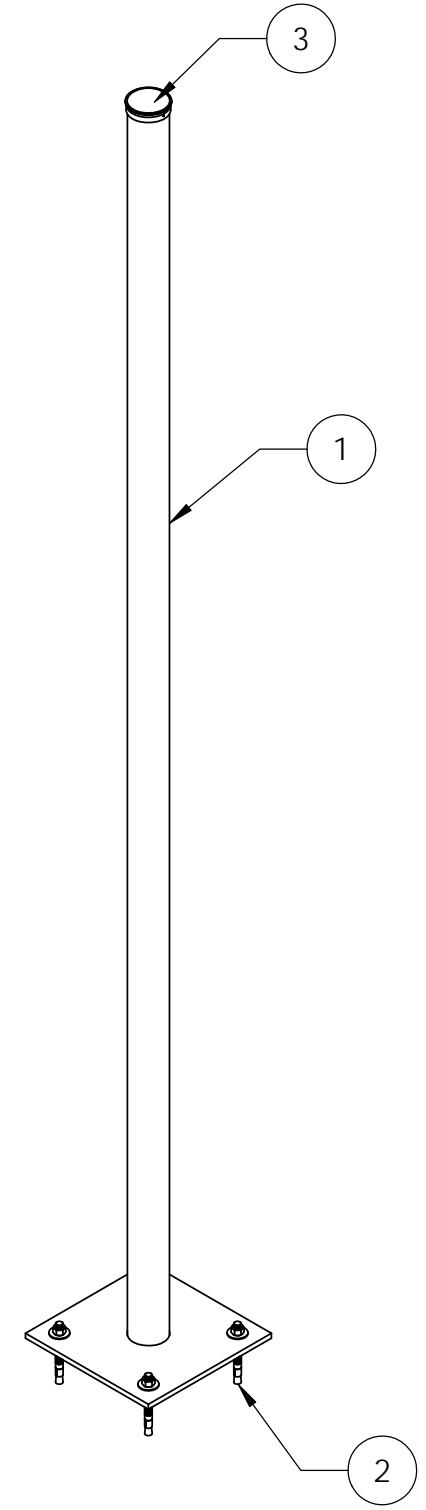
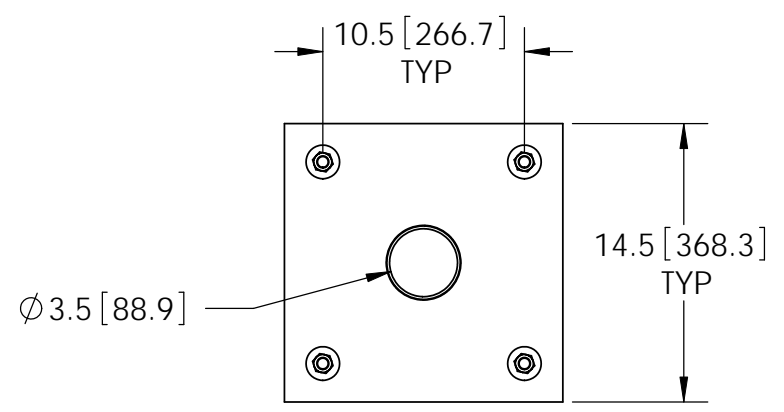
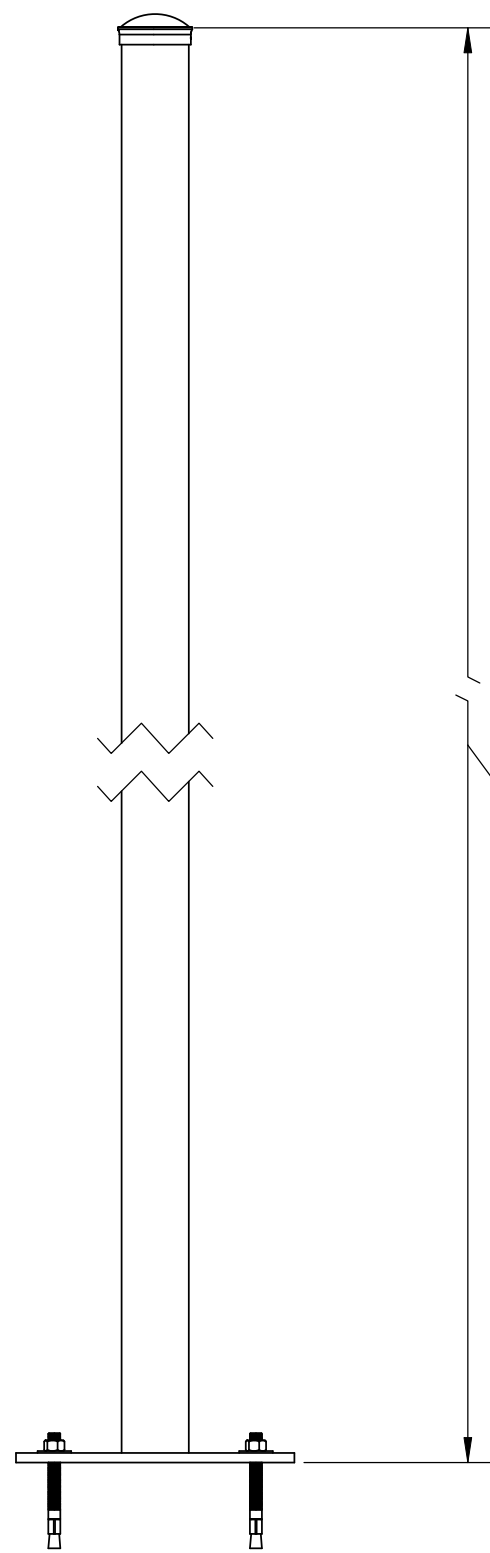


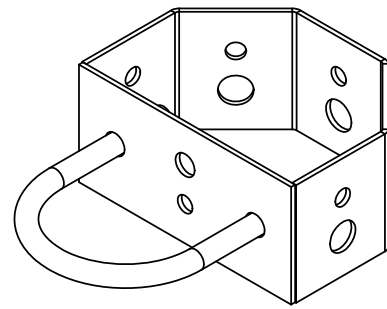
ITEM	PART NO.	DESCRIPTION	QTY.	WEIGHT
1	MTC330004	RRU Pole Weldment	1	107.13 LBS
2	MT-280	5/8" ANCHOR BOLT	4	0.61 LBS
3	PC-034	PIPE CAP 3-1/2"	1	0.66 LBS

REVISIONS				
REV.	ZONE	DESCRIPTION	BY	DATE
A		INITIAL RELEASE	DRR	10/18/11
B		ADD PIPE CAP	MSM	01/10/12



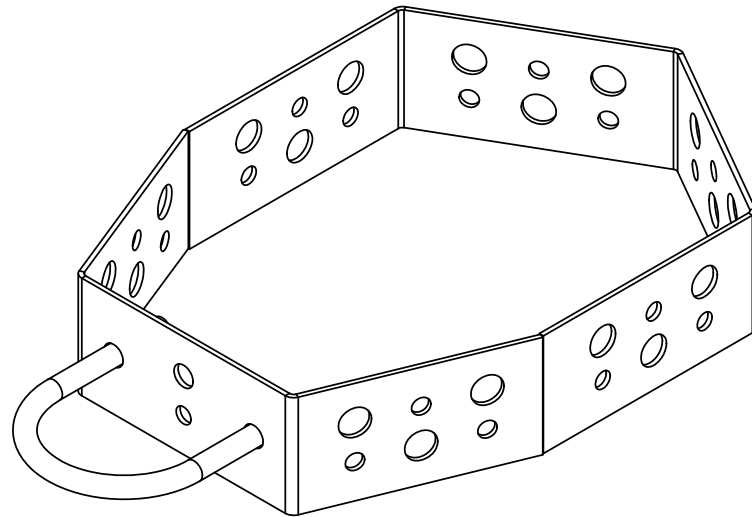
NOTES:
1. ALL METRIC DIMENSIONS ARE IN BRACKETS.

<p>These drawings and specifications are the proprietary property of CommScope Inc. and may be used only for the specific purpose authorized in writing by CommScope Inc.</p> <p>ALL DIMENSIONS ARE IN INCHES U.O.S. TOLERANCES UNLESS OTHERWISE SPECIFIED: .X = ± .12 ANGLES ±2° .XX = ± .06 FRACTIONS ±1/32 .XXX = ± .03</p> <p>REMOVE BURRS AND BREAK EDGES .005</p> <p>DO NOT SCALE THIS PRINT</p>	DRAWN BY: MSM	SHEET: 1 of 2	PART NUMBER: RR-BSP-10
	CHECKED BY: TP	SCALE: NTS	DESCRIPTION: RRU Pole
	DATE: 10/18/11	MATERIAL: A36, A53	DRAWING TYPE: ASSEMBLY DRAWING
	REVISION: B	FINISH: GALV A123	WEIGHT: 117.57 LBS

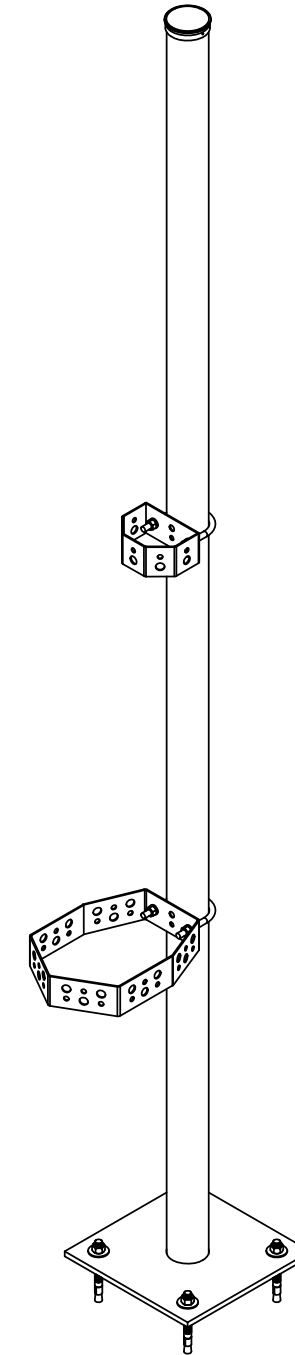


CS-BR

**OPTIONAL SUPPORTS
PURCHASED SEPARATELY**



CS-BRL



<p>These drawings and specifications are the proprietary property of ANDREW CORPORATION and may be used only for the specific purpose authorized in writing by Andrew Corporation.</p> <p>ALL DIMENSIONS ARE IN INCHES U.O.S. TOLERANCES UNLESS OTHERWISE SPECIFIED:</p> <p>.X = ± .12 ANGLES ±2° .XX = ± .06 FRACTIONS ±1/32 .XXX = ± .03</p> <p>REMOVE BURRS AND BREAK EDGES .005</p> <p>DO NOT SCALE THIS PRINT</p>	<p>DRAWN BY: MSM</p>	<p>SHEET: 2 of 2</p>	<p>PART NUMBER: RR-BSP-10</p>
	<p>CHECKED BY: TP</p>	<p>SCALE: NTS</p>	<p>DESCRIPTION: RRU Pole</p>
	<p>DATE: 10/18/11</p>	<p>MATERIAL: A36, A53</p>	<p>DRAWING TYPE: ASSEMBLY DRAWING</p>
	<p>REVISION: B</p>	<p>FINISH: GALV A123</p>	<p>WEIGHT: 117.57 LBS</p>

