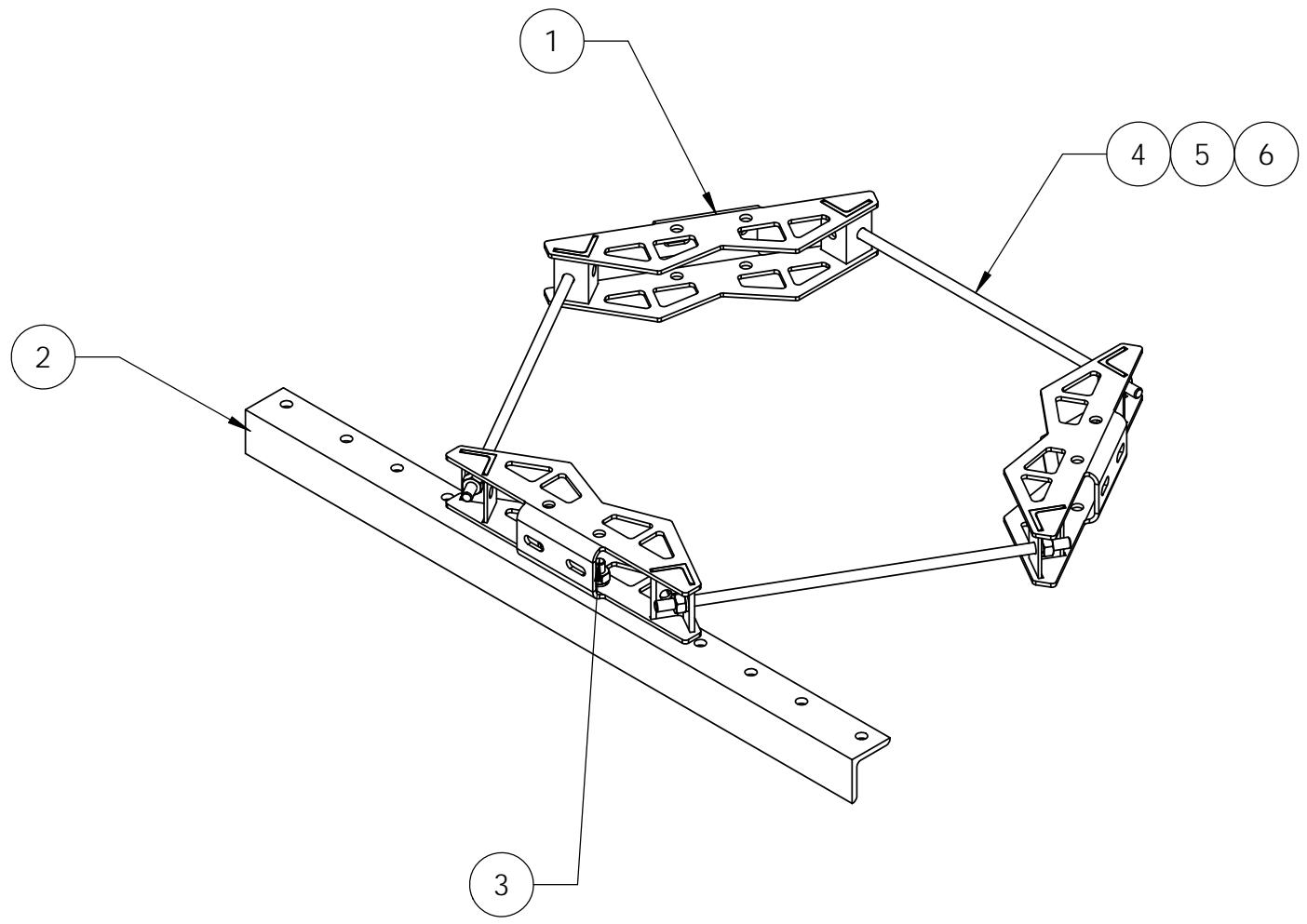
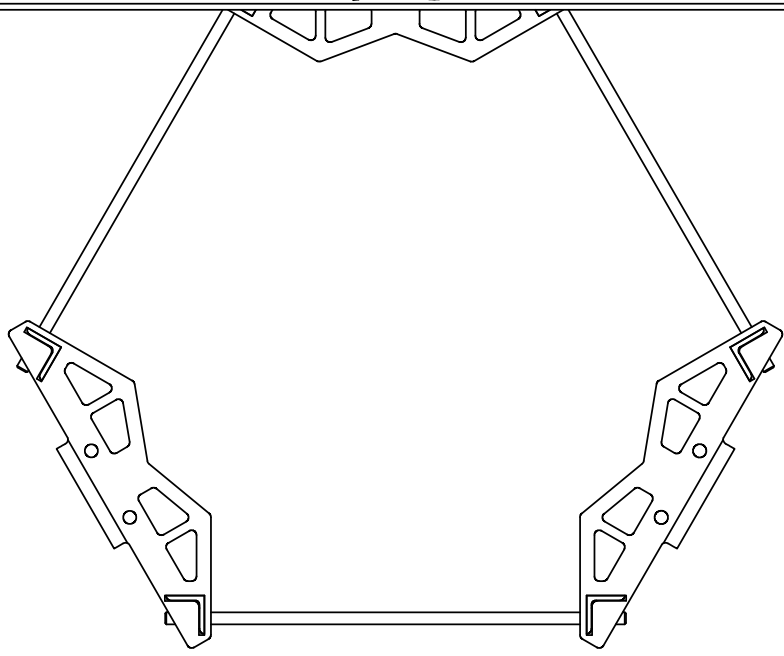
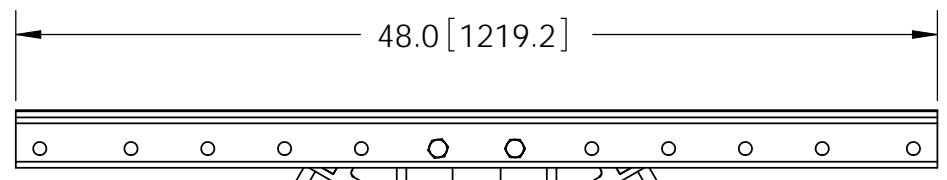
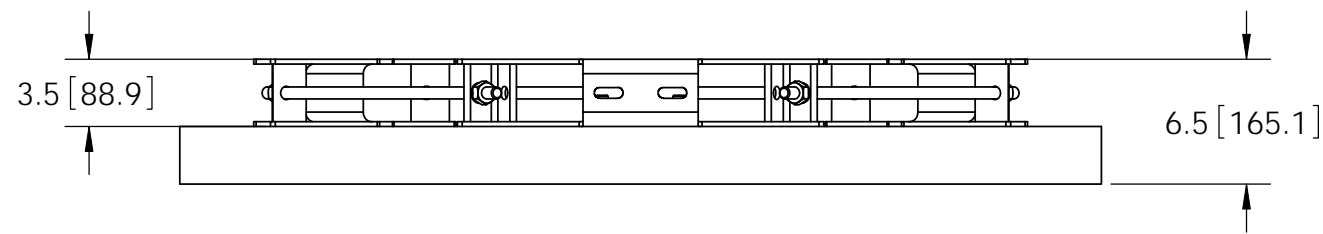


ITEM	PART NO.	DESCRIPTION	QTY.	WEIGHT
1	MTC315901	10-30 Monopole MW Mount Weldment	3	9.74 LBS
2	RMSS01	RM-SS Tieback Angle	1	27.78 LBS
3	GB-0520A	5/8" X 2" GALV BOLT KIT (A325)	2	0.27 LBS
4	MT-382-24	5/8" X 24" GALV THREADED ROD	3	2.07 LBS
5	GN05A	5/8" GALV HEX NUT (A194 2H)	6	0.12 LBS
6	GWL-05	5/8" GALV LOCK WASHER	6	0.03 LBS

REVISIONS				
REV.	ZONE	DESCRIPTION	BY	DATE
A		INITIAL RELEASE	MSM	010/22/12



NOTES:
 1. ALL METRIC DIMENSIONS ARE IN BRACKETS.
 2. FITS POLES FROM 10" UP TO 30".

These drawings and specifications are the proprietary property of CommScope Inc. and may be used only for the specific purpose authorized in writing by CommScope Inc. ALL DIMENSIONS ARE IN INCHES U.S.S. TOLERANCES UNLESS OTHERWISE SPECIFIED: .X = ± .12 ANGLES ±2° .XX = ± .06 FRACTIONS ±1/32 .XXX = ± .031 REMOVE BURRS AND BREAK EDGES .005 DO NOT SCALE THIS PRINT	DRAWN BY: MSM	SHEET: 1 of 1	PART NUMBER: RM-SS-S
	CHECKED BY: TP	SCALE: NTS	DESCRIPTION: 10-30 Monopole Tieback Mount
	DATE: 10/22/12	MATERIAL: A36, A500	DRAWING TYPE: ASSEMBLY DRAWING
	REVISION: A	FINISH: GALV A123 WEIGHT: 64.87 LBS	 Hickory, NC 28602 U.S.A.