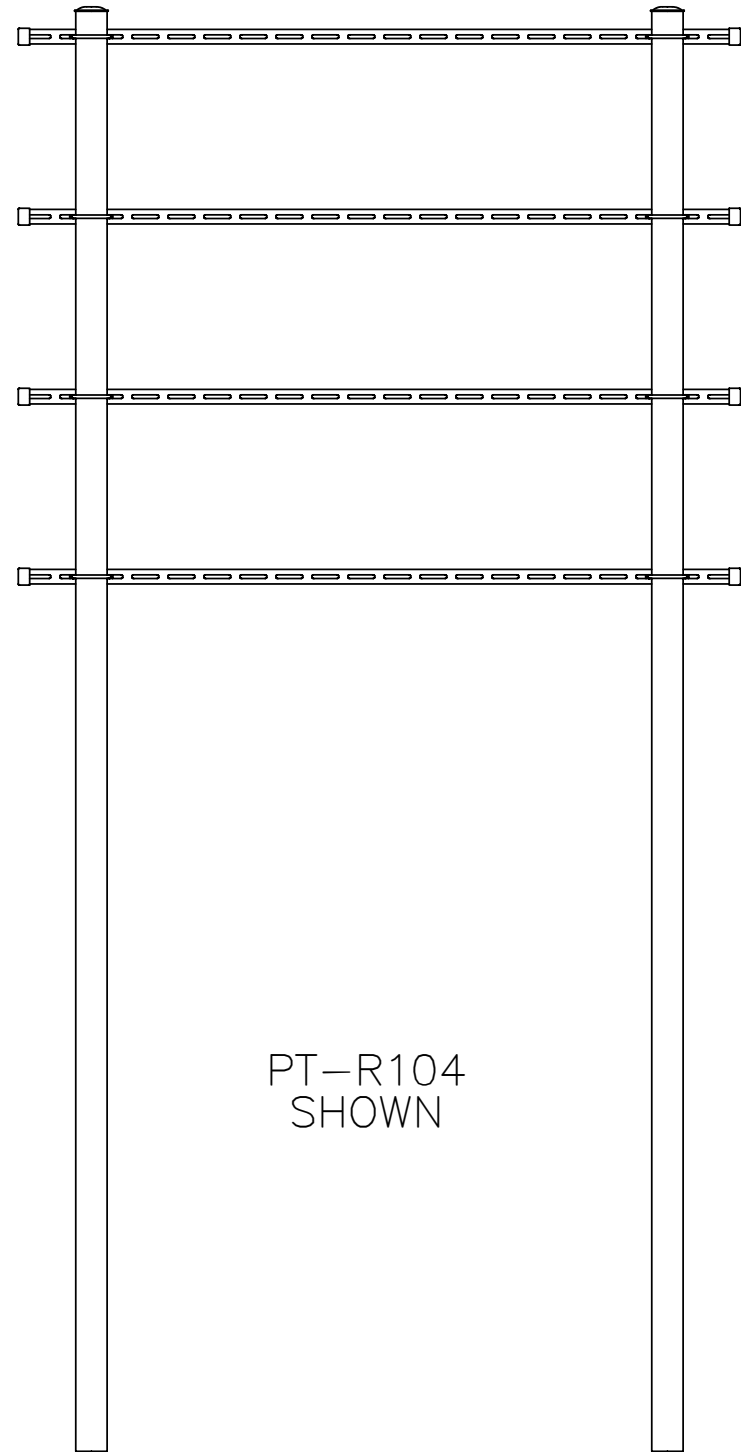
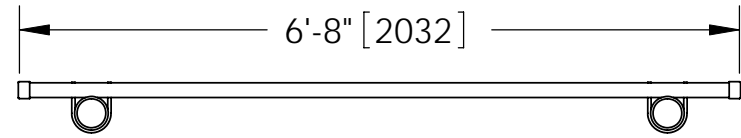
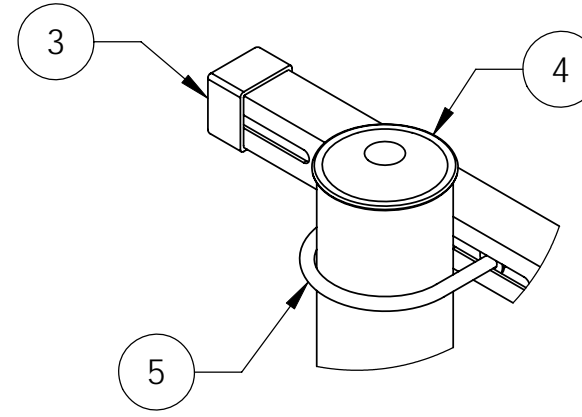
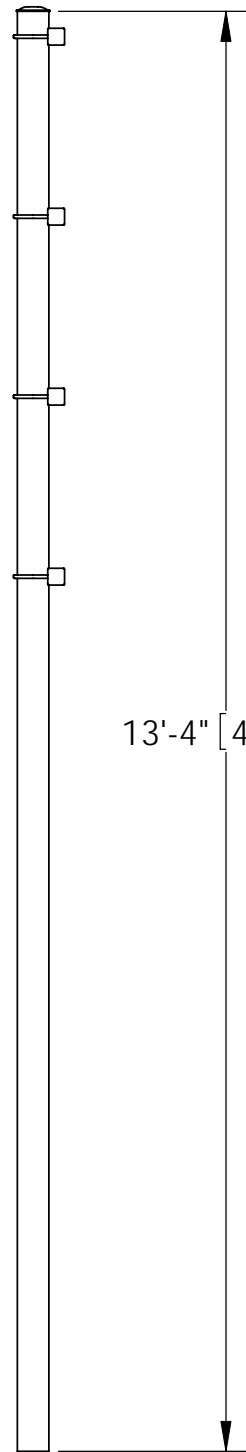


ITEM	PART NO.	DESCRIPTION	PT-R102	PT-R103	PT-R104	WEIGHT
1	MF-130	Ø 3.5" O.D. X 13'-4" DIRECT BURIAL PIPE COLUMN	2	2	2	101.38 LBS
2	MT50480	1-5/8" SQ. SUPPORT RAIL 80" LONG	2	3	4	12.46 LBS
3	PTCR.01	END CAP	4	6	8	0.06 LBS
4	PC-034	Ø 3½" PIPE CAP	2	2	2	0.28 LBS
5	GUB-3355	3/8" X 3-5/8" X 5-1/4" GALV U-BOLT	4	6	8	0.41 LBS

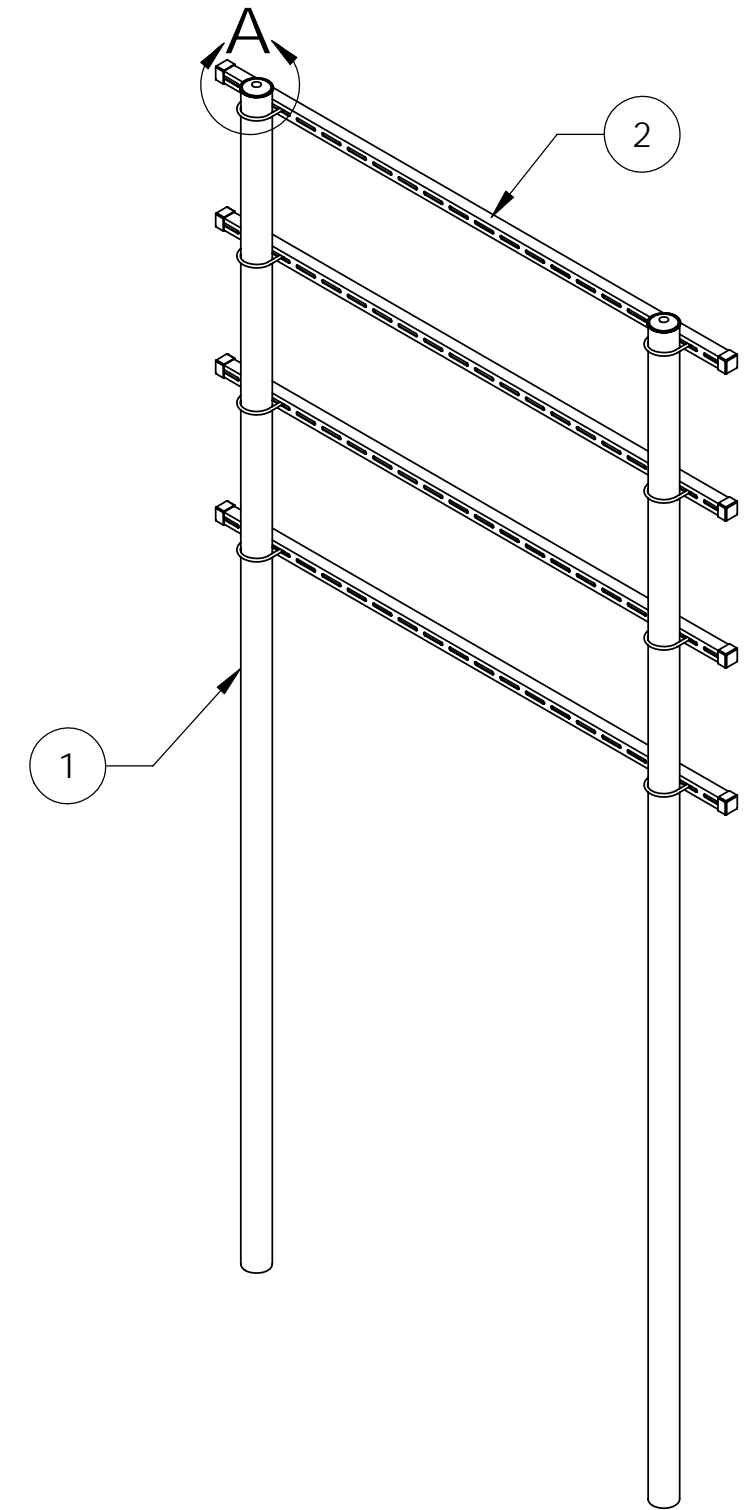
REVISIONS				
REV.	ZONE	DESCRIPTION	BY	DATE
A		INITIAL RELEASE	ACG	03/02/07
B		SERIES DRAWING	ACG	05/03/07
C		REPLACE ITEM 1 FROM MT-547-126	ACG	03/04/09




PT-R104
SHOWN



DETAIL A
SCALE 13 : 64



NOTES:
1. ALL METRIC DIMENSIONS ARE IN BRACKETS.

<small>These drawings and specifications are the proprietary property of ANDREW CORPORATION and may be used only for the specific purpose authorized in writing by Andrew Corporation.</small> ALL DIMENSIONS ARE IN INCHES U.O.S. TOLERANCES UNLESS OTHERWISE SPECIFIED: .X = ± .06 ANGLES ±2° .XX = ± .03 FRACTIONS ±1/32 .XXX = ± .010 REMOVE BURRS AND BREAK EDGES .005 DO NOT SCALE THIS PRINT	DRAWN BY: ACG	SHEET: 1 of 1	PART NUMBER: PT-R100 SERIES
	CHECKED BY: TP	SCALE: NTS	DESCRIPTION: 4 RUNG TELCO RACK
	DATE: 03/02/07	MATERIAL: A36, A53	DRAWING TYPE: ASSEMBLY DRAWING
	REVISION: C	FINISH: GALV A123	 ORLAND PARK, IL. 60462 U.S.A.
	WEIGHT: 257.46 LBS		