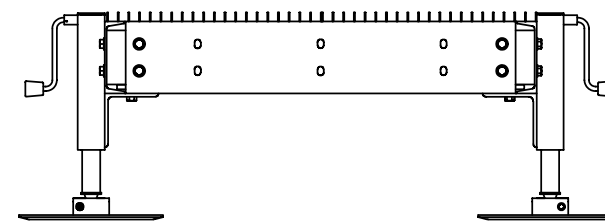
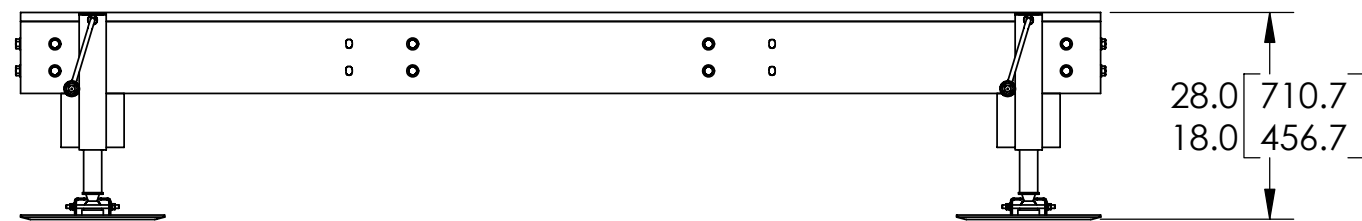
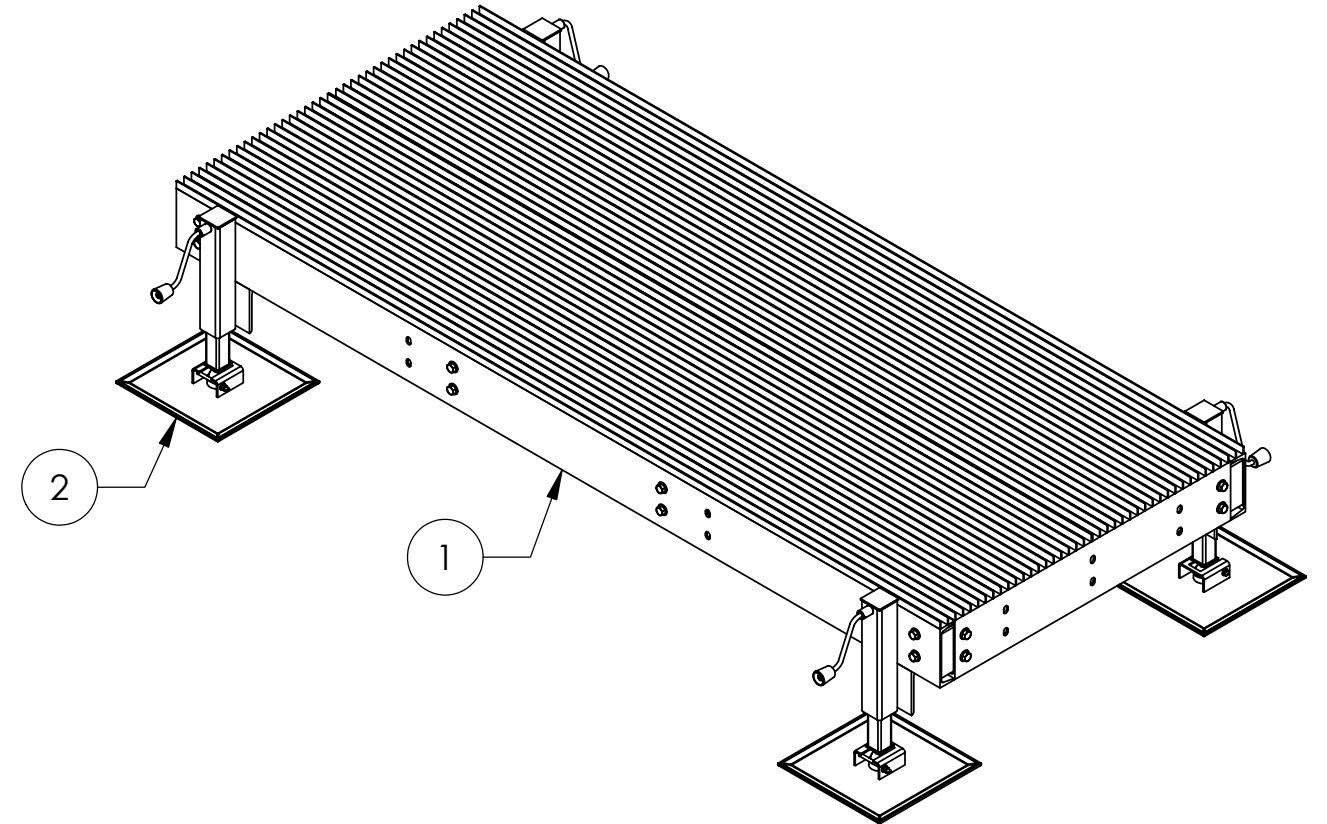
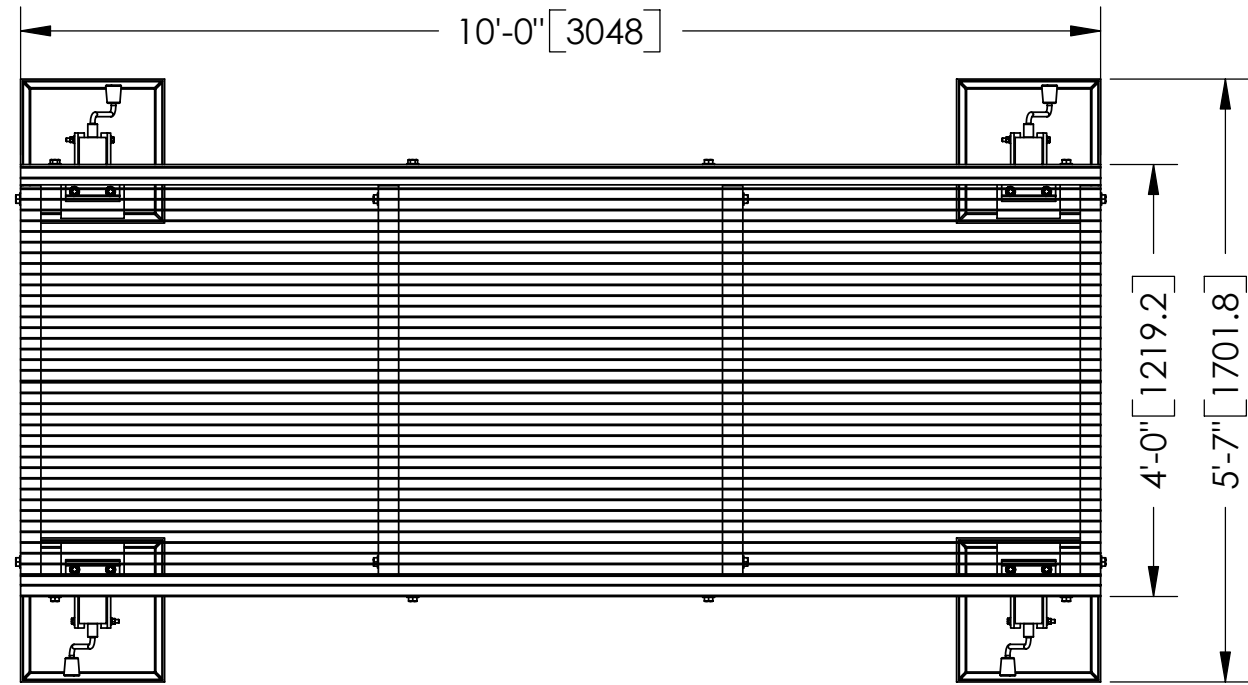



ITEM	PART NO.	DESCRIPTION	QTY.	WEIGHT
1	MTC79020410B	4' X 10' EQUIPMENT PLATFORM	1	657.82 LBS
2	EQ-P-AL	ADJUSTABLE LEG KIT FOR EQ-P SERIES	4	89.43 LBS

REVISIONS				
REV.	ZONE	DESCRIPTION	BY	DATE
A		INITIAL RELEASE	ACG	03/13/07
B		UPDATED VIEWS	AW	06/19/07
C		UPDATE PLATFORM BASE WEIGHT	ACG	09/19/07



NOTES:
1. ALL METRIC DIMENSIONS ARE IN BRACKETS.

These drawings and specifications are the proprietary property of ANDREW CORPORATION and may be used only for the specific purpose authorized in writing by Andrew Corporation. ALL DIMENSIONS ARE IN INCHES U.O.S. TOLERANCES UNLESS OTHERWISE SPECIFIED: .X = ± .06 ANGLES ±2° .XX = ± .03 FRACTIONS ±1/32 .XXX = ± .010 REMOVE BURRS AND BREAK EDGES .005 DO NOT SCALE THIS PRINT	DRAWN BY: ACG	SHEET: 1 of 1	PART NUMBER: MTCP0410B4AL
	CHECKED BY: TP	SCALE: NTS	DESCRIPTION: 4' X 10' PLATFORM w/ 4 LEGS
	DATE: 03/13/07	MATERIAL: A36, A568	DRAWING TYPE: ASSEMBLY DRAWING
	REVISION: C	FINISH: GALV A123 WEIGHT: 1101.21 LBS	 ORLAND PARK, IL. 60462 U.S.A.