

4

3

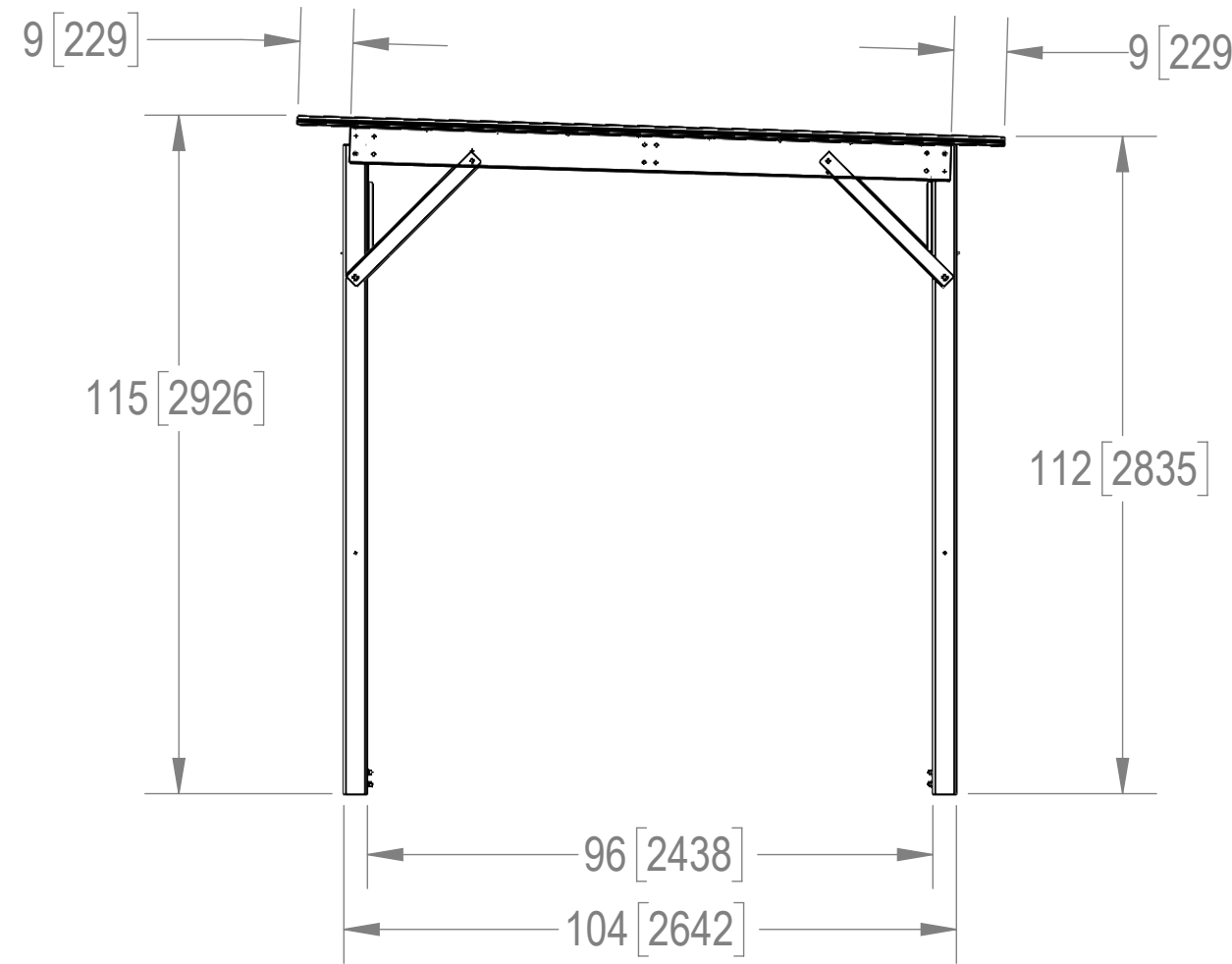
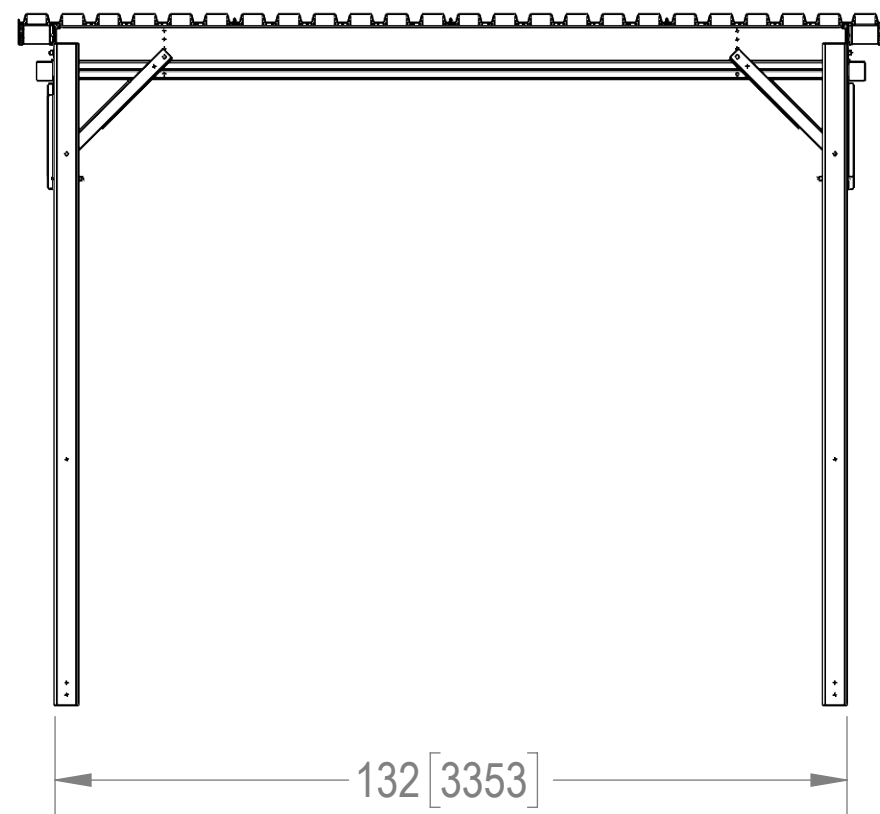
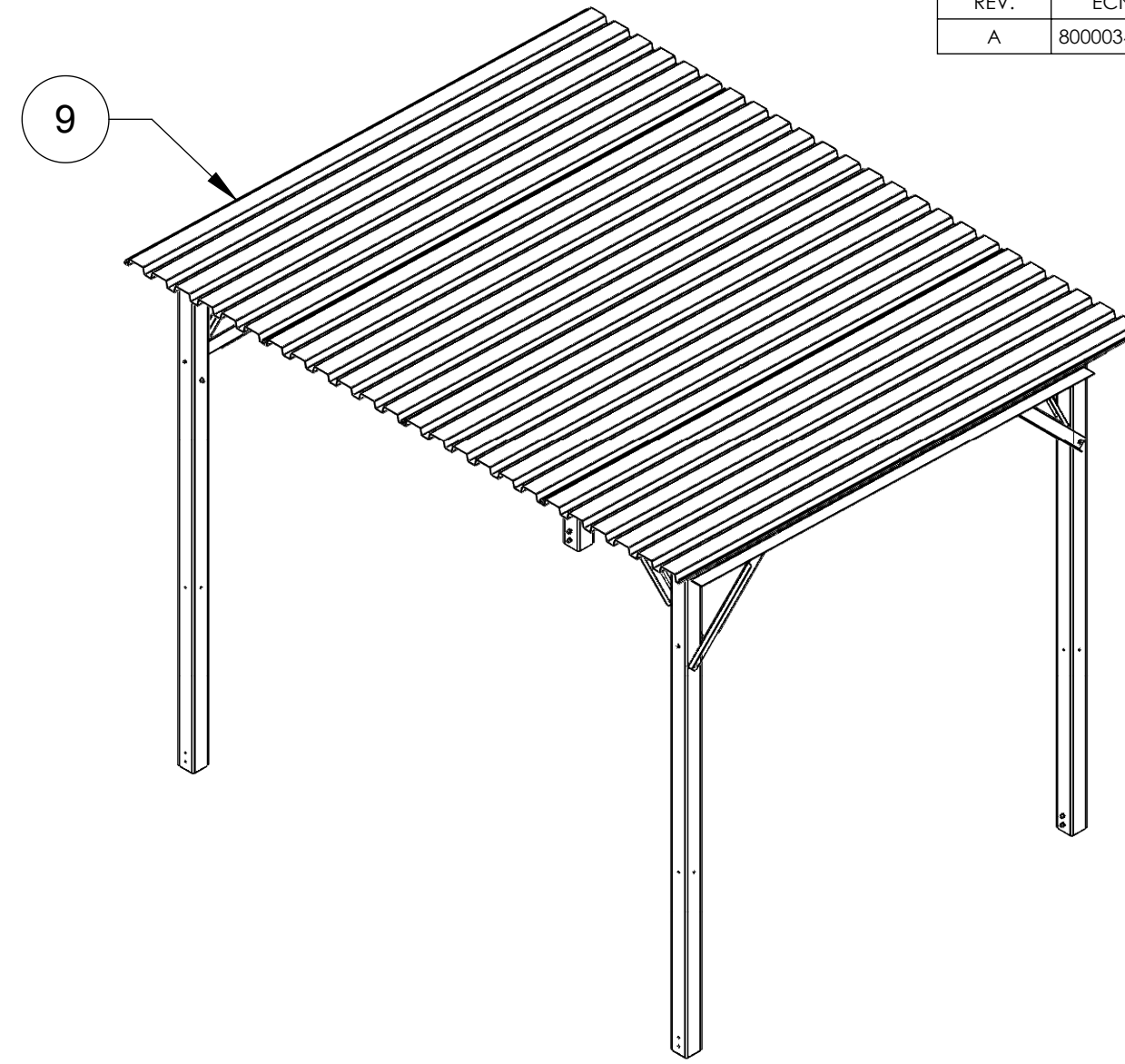
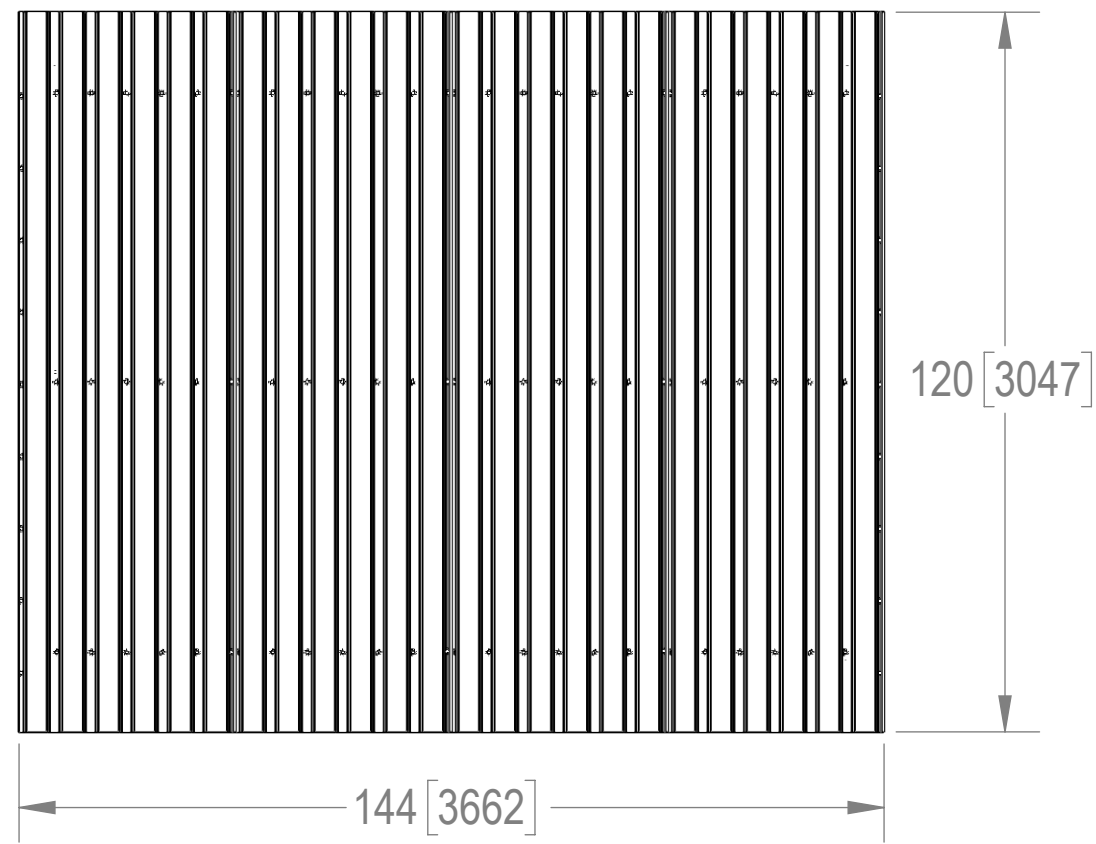
2

1

NOTES:

- 1.0 GENERAL
- 1.1 ALL METRIC DIMENSIONS ARE IN BRACKETS
- 2.0 DESIGN NOTES
- 3.0 MANUFACTURING/SPECIAL REQUIRMENTS
- 4.0 TEST
- 5.0 PACKAGING

REVISIONS				
REV.	ECN	DESCRIPTION	BY	DATE
A	8000034517	INITIAL RELEASE	MRC	03/19/19



ITEM	PART NO.	DESCRIPTION	QTY.	WEIGHT	NOTE NO.
1	GB-03105	3/8" X 1" GALV BOLT KIT	36	0.05 LBS	
2	GB-03505	3/8" X 5" GALV BOLT KIT	8	0.17 LBS	
3	GWF-03	3/8" GALV FLAT WASHER	8	0.01 LBS	
4	MTC3813C14	CANOPY BRACE, 11 GA, 30"	4	4.18 LBS	
5	MTC392212	CANOPY BRACE, 11 GA, 24.5"	4	2.75 LBS	
6	MTC4037C16	POST, 4 X 4 X 110.25	4	56 LBS	
7	MTC4037C14	CHANNEL FORMED CANOPY END, 8' PLAT	2	51.15 LBS	
8	MTC4038C14	LONG CHANNEL CANOPY	4	47.33 LBS	
9	RDB1836120	ROOF DECKING B 18 GA 36" X 120"	4	82.34 LBS	
10	TS1275	TEK SCREW #12 X 3/4, WITH NEOPRENE WASHER	97	0.02 LBS	

COMMSCOPE, INC. OF NORTH CAROLINA

TOLERANCES		SAP MATERIAL MASTER	
1 PLACE .X ± .25	3 PLACE .XXX ± 0.06	MTC4038CRHD	
2 PLACE .XX ± 0.12	ANGLES ± 2°		
FINISH GALV A123		MATERIAL A1011/A1018, A500	
UNLESS OTHERWISE SPECIFIED DIMENSIONS ARE IN INCHES INTERPRET PER ANSI Y 14.5M-1994	NAME	DATE	TITLE
	CE MRC	06/27/18	8X12 HD 18GA PROT PLAT CAN
	RW MC1107	04/17/2019	
	RV		
	AD RD1048	04/17/2019	
RE RD1048	04/17/2019		
ECN 008000034517	SCALE	DOCUMENT NO.	
	1:32	MTC4038CRHD	
SIZE	WORK AREA 24	MODEL	
C	[Symbol]	VERSION	DRAWING
		01	REVISION
		STATUS	REVISION
		RE	00
		RE	A
		REVISION	1 OF 6

DENSITY	0.28	lbs/in ³
MASS	877.98	lbs
VOLUME	3105.31	in ³
SURFACE AREA		in ²
HEIGHT		
LENGTH		
WIDTH		

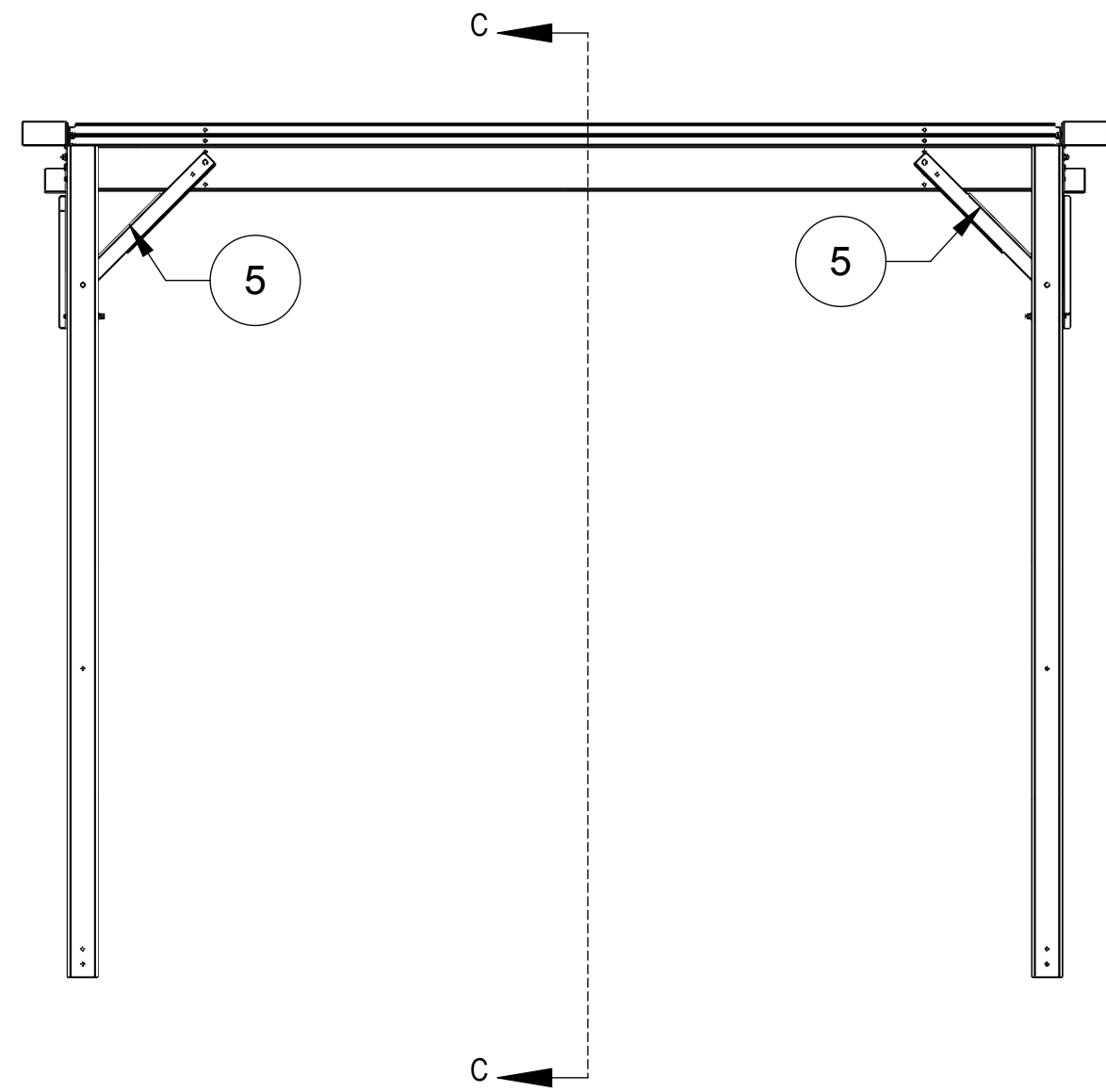
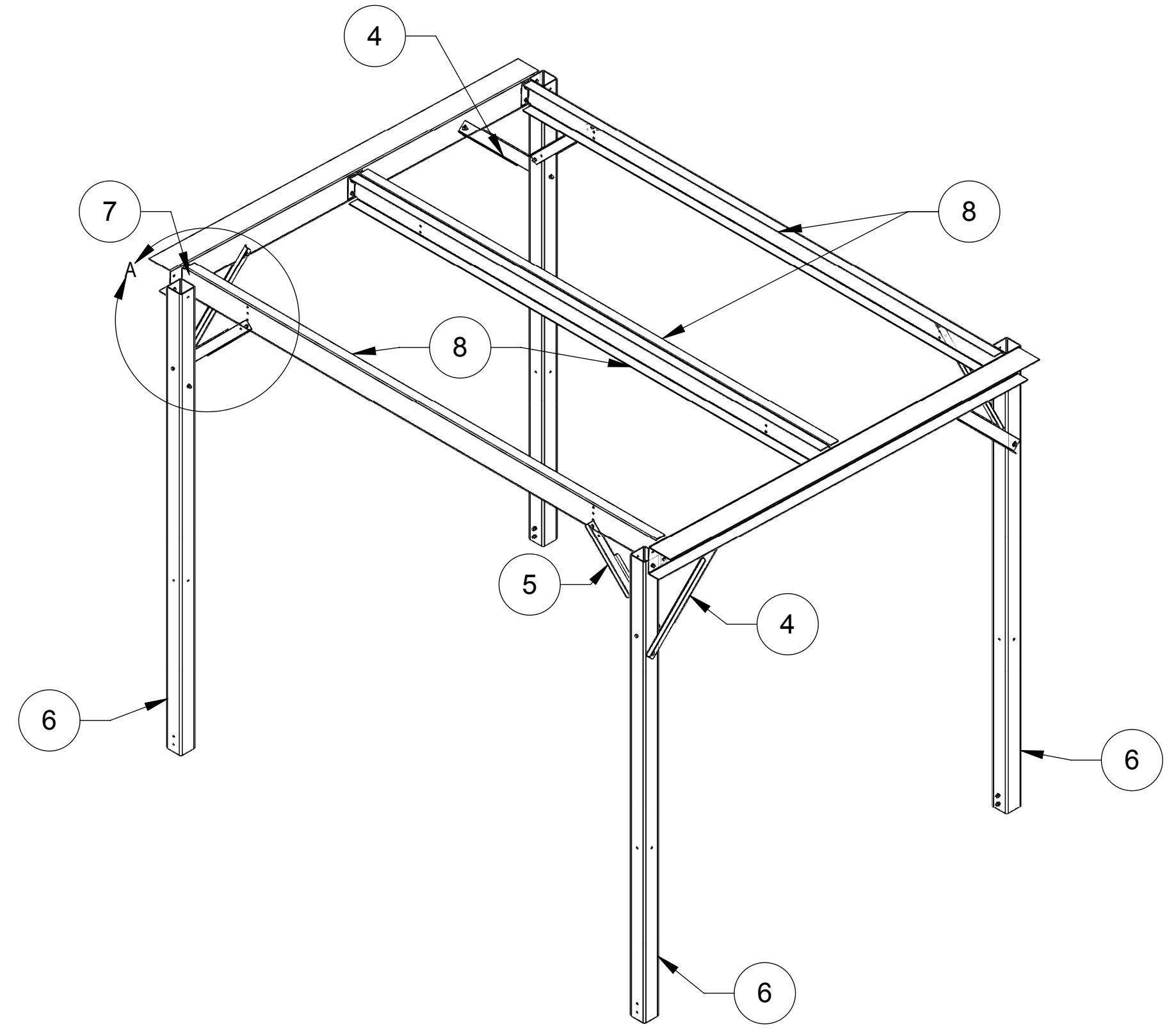
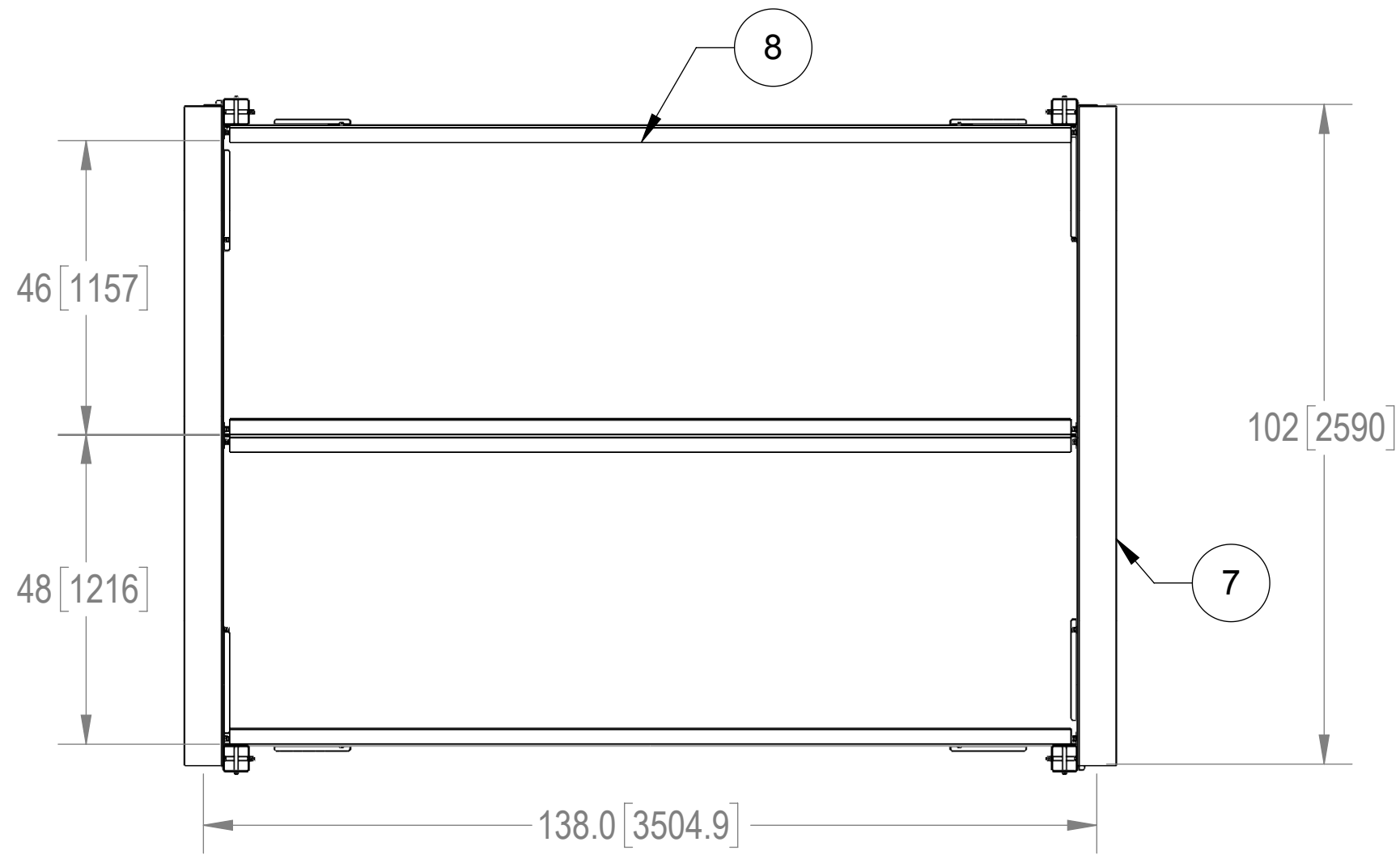
4

3

2

1

NOTES:



COMMSCOPE, INC. OF NORTH CAROLINA				
TITLE 8X12 HD 18GA PROT PLAT CAN				
SIZE C	SCALE 1:24	DOCUMENT NO. MTC4038CRHD		
		DRAWING		SHEET 2 OF 6
		VERSION 00	STATUS RE	

© 2019 CommScope, Inc.

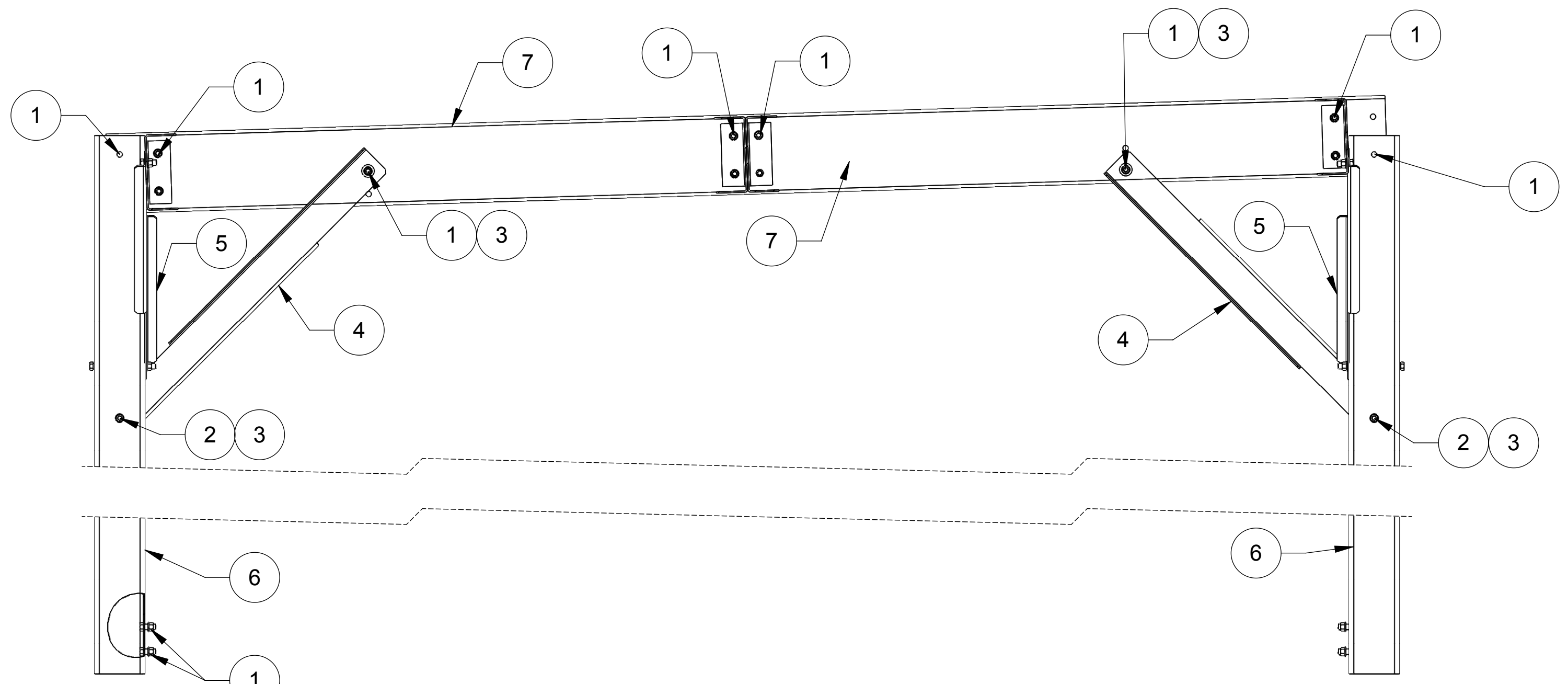
4

3

2

1

NOTES:



BOLTS TO MOUNT
CANOPY TO BASE.
TYPICAL FOR ALL
CORNERS

SECTION C-C

COMMSCOPE, INC. OF NORTH CAROLINA				
TITLE 8X12 HD 18GA PROT PLAT CAN				
SIZE C	SCALE 1:8	DOCUMENT NO. MTC4038CRHD		
		DRAWING		SHEET
		VERSION	STATUS	REVISION
		00	RE	A
				3 OF 6

© 2019 CommScope, Inc.

4

3

2

1

4

3

2

1

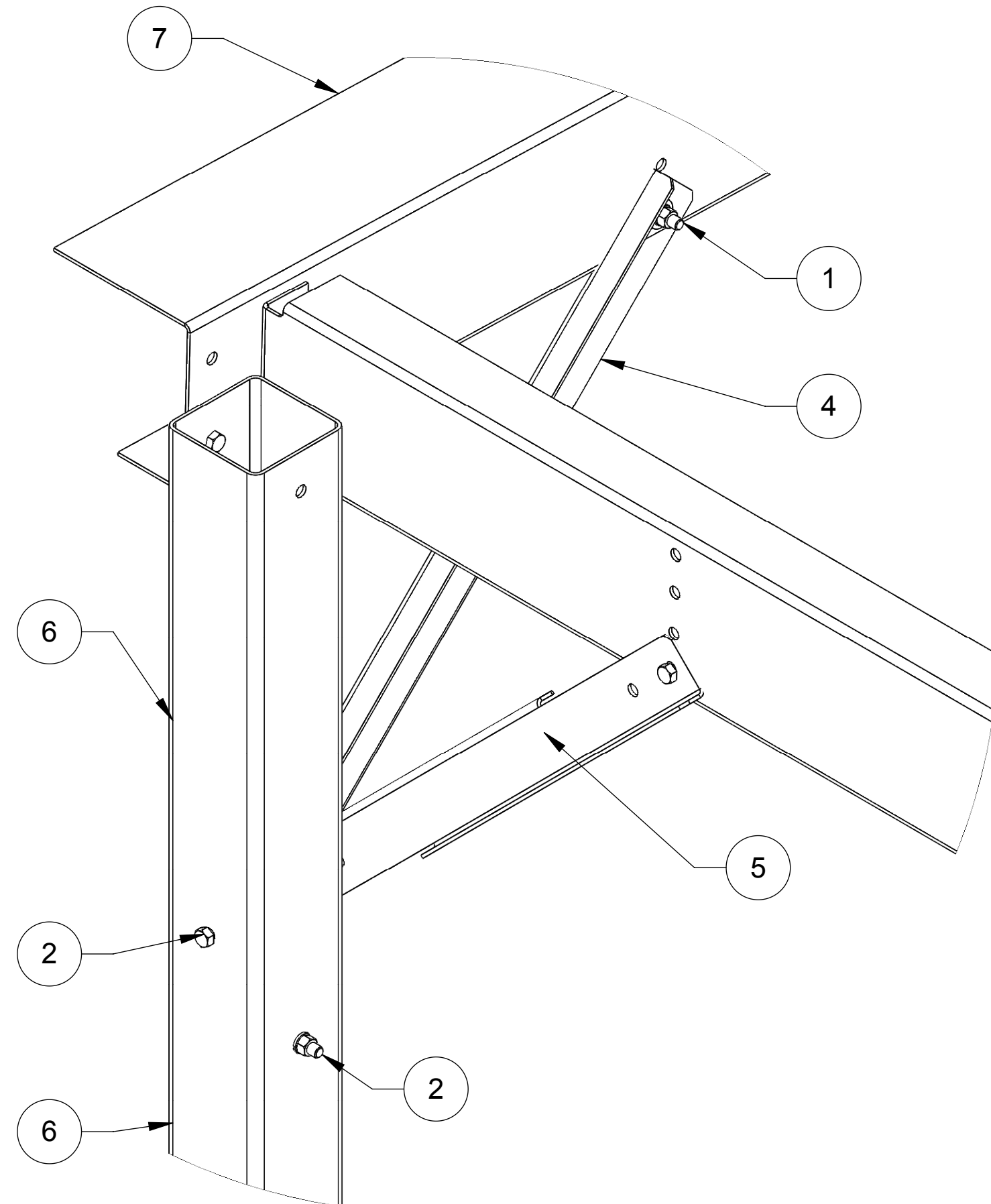
4

3


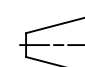
2

1

NOTES:



DETAIL A
SCALE 1:4

COMMSCOPE, INC. OF NORTH CAROLINA					
TITLE 8X12 HD 18GA PROT PLAT CAN					
SIZE C	SCALE 1:24	DOCUMENT NO. MTC4038CRHD			
 		DRAWING			SHEET 4 OF 6
		VERSION 00	STATUS RE	REVISION A	

© 2019 CommScope, Inc.

4

3

2

1

D

D

C

C

B

B

A

A

4

3

2

1

NOTES:

D

D

C

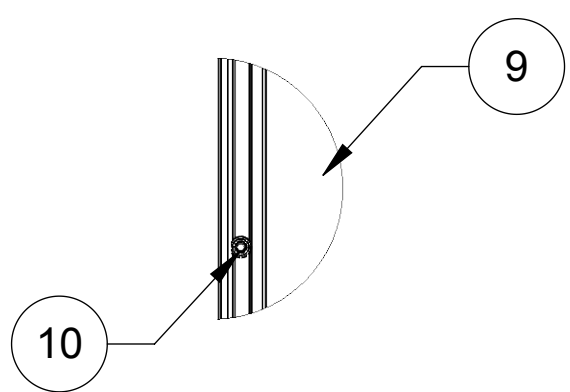
C

B

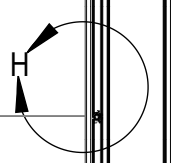
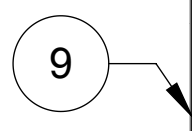
B

A

A



DETAIL H
SCALE 1:6



12 [305] TYP
SPACING ALONG OUTSIDE EDGES

14 [358]

6 [149]
TYPICAL SPACING


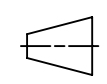
45 [1143]

48 [1220]

COMMSCOPE, INC. OF NORTH CAROLINA

TITLE
8X12 HD 18GA PROT PLAT CAN

SIZE C	SCALE 1:12	DOCUMENT NO. MTC4038CRHD
------------------	----------------------	-----------------------------

 	DRAWING			SHEET 5 OF 6
	VERSION 00	STATUS RE	REVISION A	

© 2019 CommScope, Inc.

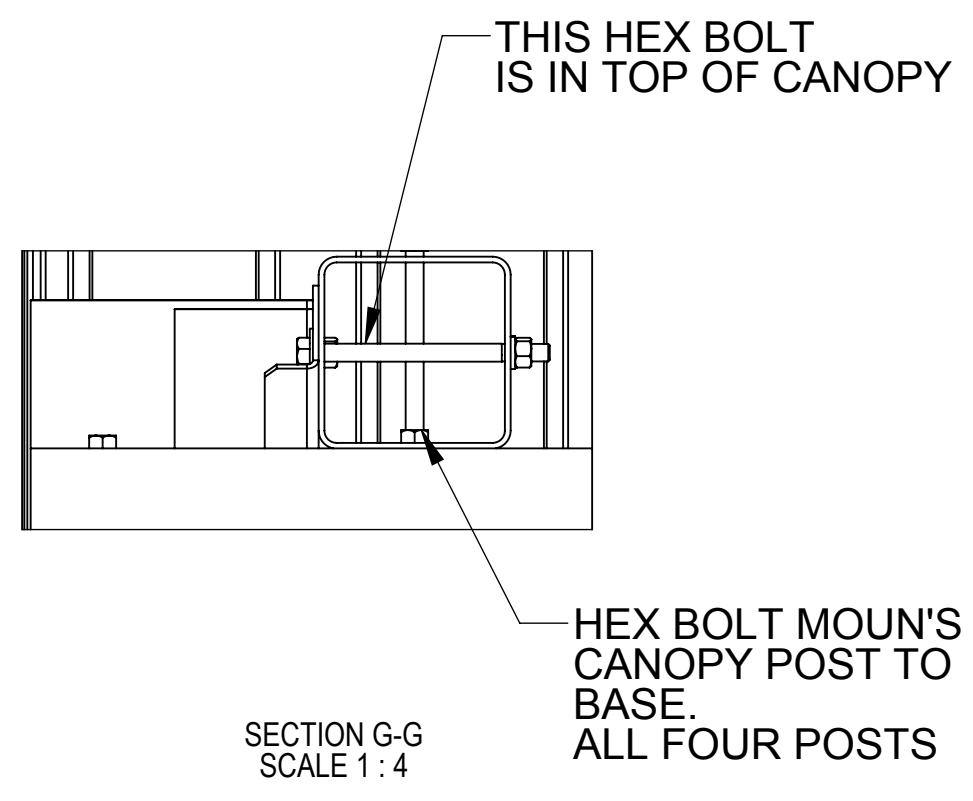
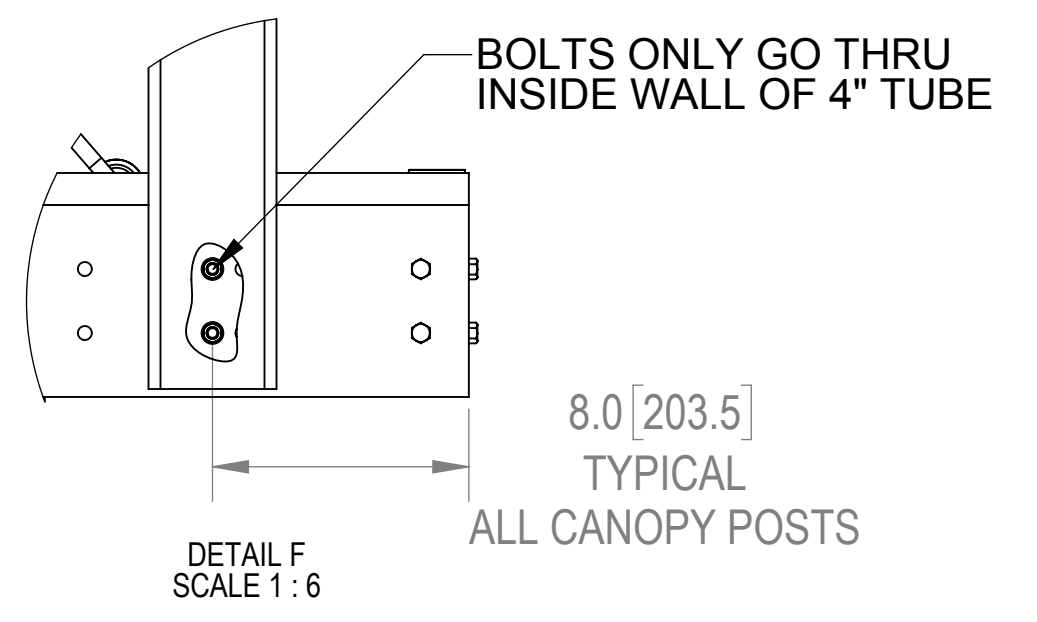
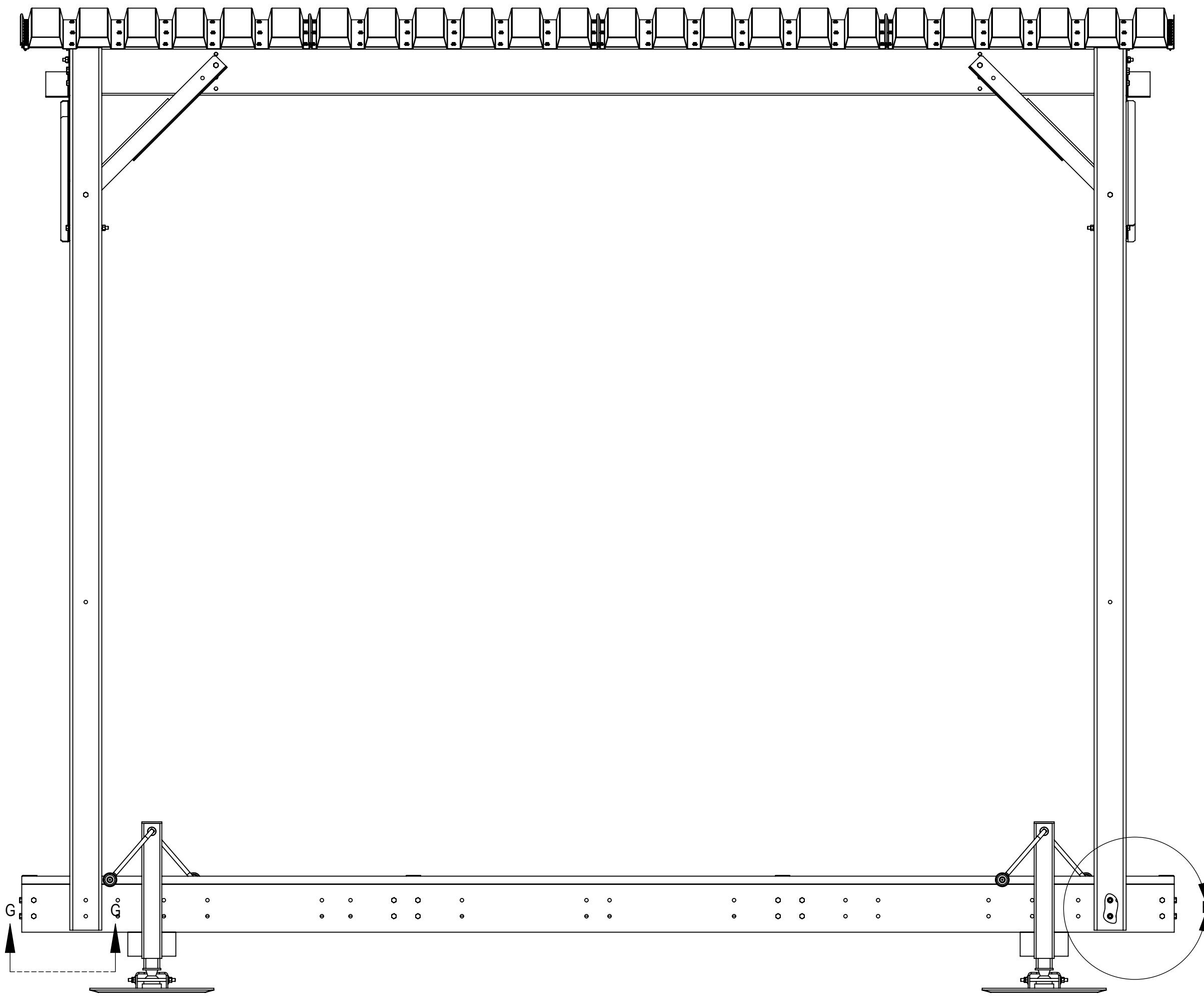
4

3

2

1

NOTES:



COMMSCOPE, INC. OF NORTH CAROLINA				
TITLE 8X12 HD 18GA PROT PLAT CAN				
SIZE C	SCALE 1:12	DOCUMENT NO. MTC4038CRHD		
		DRAWING		SHEET
		VERSION 00	STATUS RE	REVISION A
				6 OF 6

© 2019 CommScope, Inc.

