

4

3

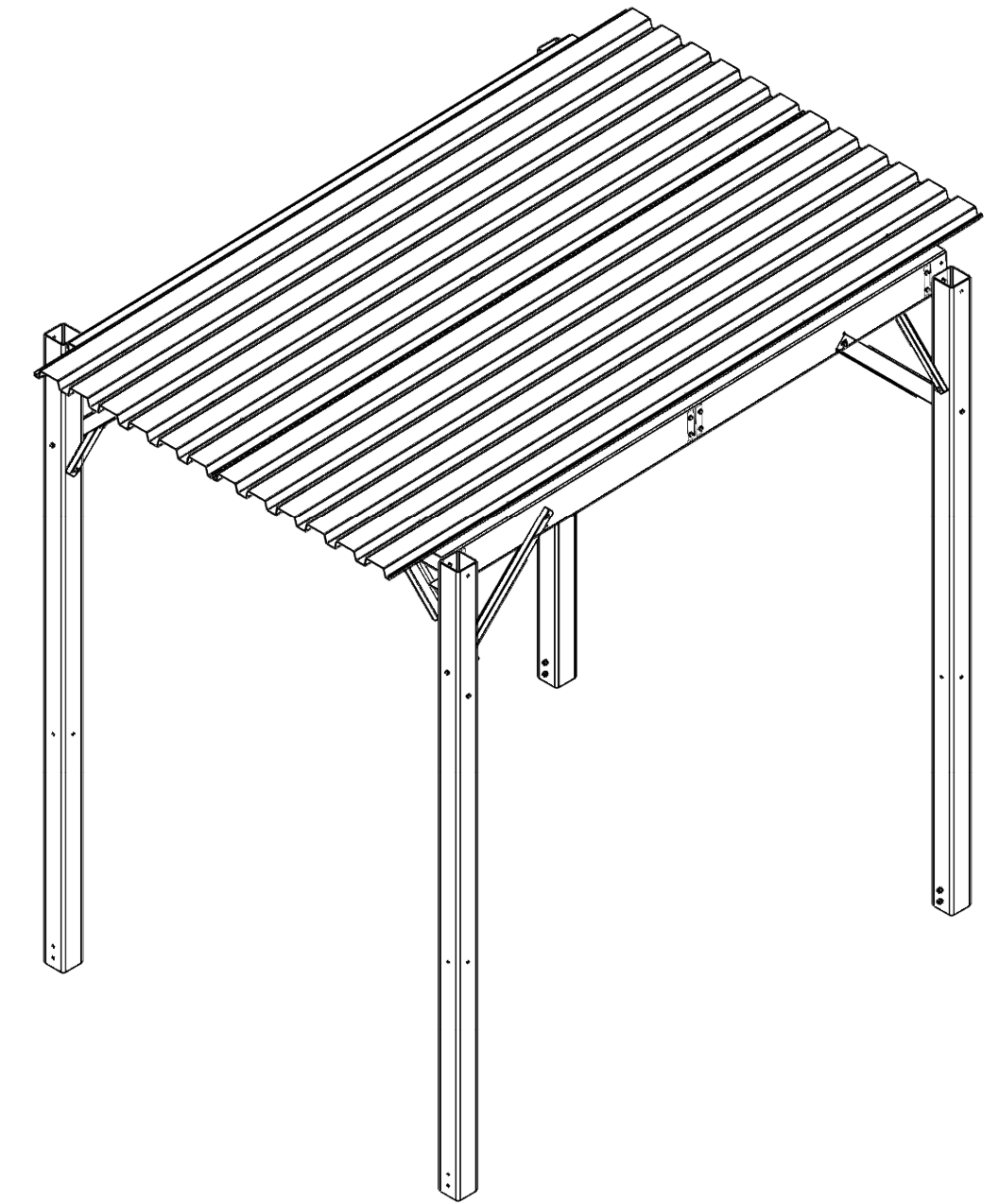
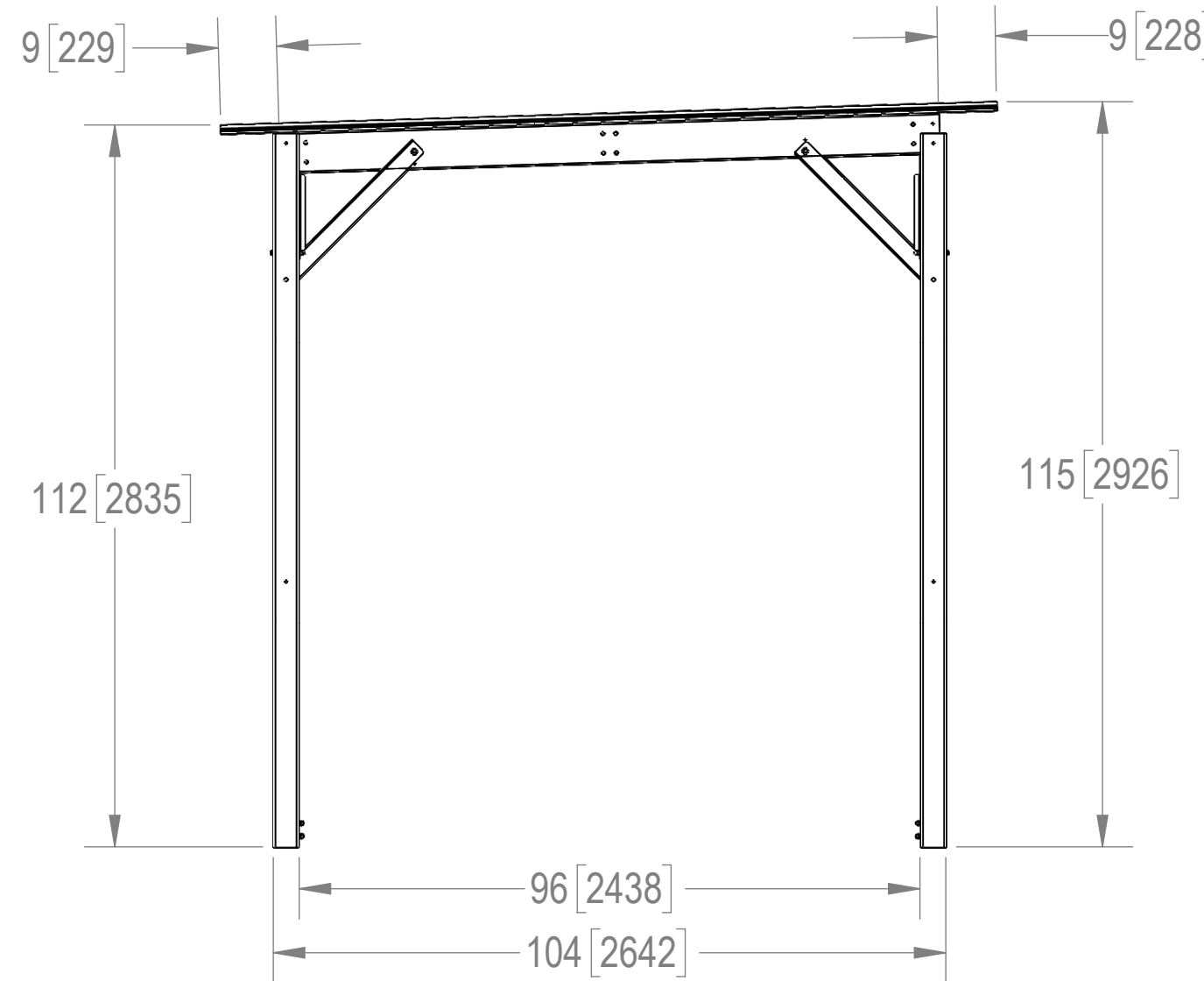
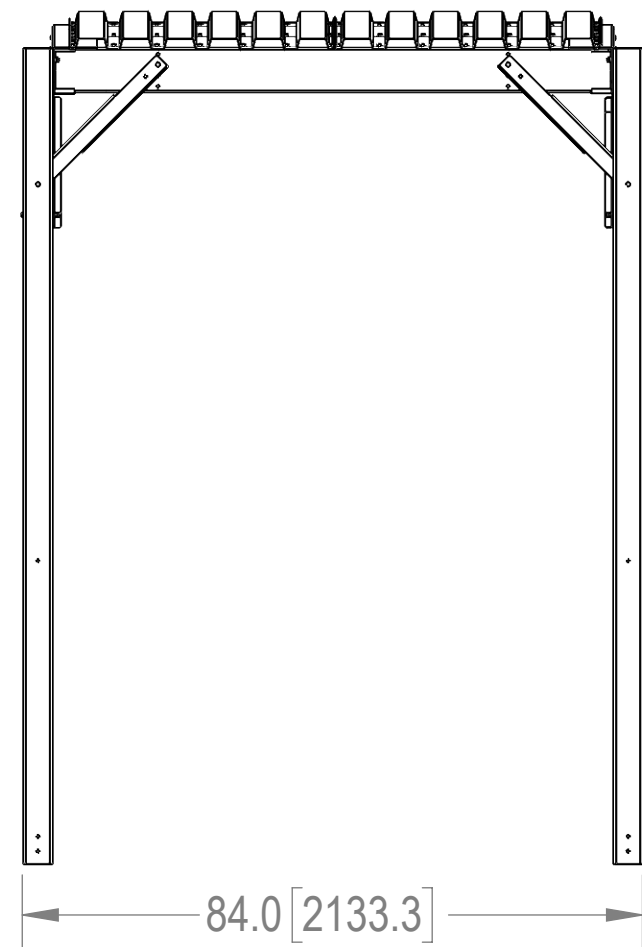
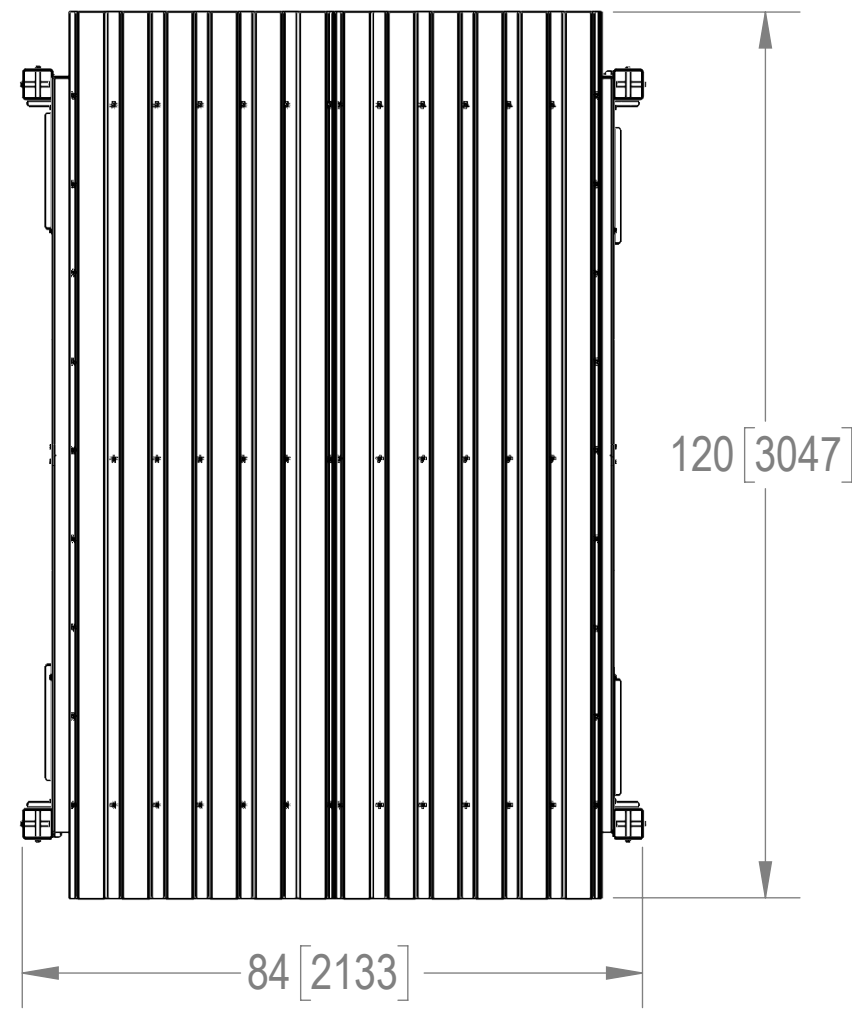
2

1

NOTES:

- 1.0 GENERAL
  - 1.1 ALL METRIC DIMENSIONS ARE IN BRACKETS
- 2.0 DESIGN NOTES
- 3.0 MANUFACTURING/SPECIAL REQUIRMENTS
- 4.0 TEST
- 5.0 PACKAGING

REVISIONS				
REV.	ECN	DESCRIPTION	BY	DATE
A	8000034517	INITIAL RELEASE	MRC	03/19/19



ITEM	PART NO.	DESCRIPTION	QTY.	WEIGHT	NOTE NO.
1	GB-03105	3/8" X 1" GALV BOLT KIT	36	0.05 LBS	
2	GB-03505	3/8" X 5" GALV BOLT KIT	8	0.17 LBS	
3	GSF-03	3/8" GALV FLAT WASHER	8	0.01 LBS	
4	MTC3813C14	CANOPY BRACE, 11 GA, 30"	4	4.18 LBS	
5	MTC392212	CANOPY BRACE, 11 GA, 24.5"	4	2.75 LBS	
6	MTC4037C16	POST, 4 X 4 X 110.25	4	56 LBS	
7	MTC4037C14	CHANNEL FORMED CANOPY END, 8' PLAT	2	51.15 LBS	
8	MTC4037C15	CHANNEL FORMED CANOPY, 8' PLATFORM	4	18.30 LBS	
9	RDB1836120	ROOF DECKING B 18 GA 36" X 120"	2	82.34 LBS	
10	TS1275	TEK SCREW #12 X 3/4, WITH NEOPRENE WASHER	54	0.02 LBS	

DENSITY	0.28	lbs/in <sup>3</sup>
MASS	715.52	lbs
VOLUME	2539.17	in <sup>3</sup>
SURFACE AREA		in <sup>2</sup>
HEIGHT		
LENGTH		
WIDTH		

**COMMSCOPE, INC. OF NORTH CAROLINA**

TOLERANCES		SAP MATERIAL MASTER							
0 PLACE X ± .25	2 PLACE .XX ± 0.06	<b>MTC4037CRHD</b>							
1 PLACE .X ± 0.12	ANGLES ± 2°								
FINISH GALV A123		MATERIAL A1011/A1018, A500							
UNLESS OTHERWISE SPECIFIED DIMENSIONS ARE IN INCHES INTERPRET PER ANSI Y 14.5M-1994		NAME	DATE	<b>8X8 HD 18GA PROT PLAT CAN</b>					
		CE MRC	06/26/18						
		RW MCT107	12/11/2018						
		RV MCT107	12/11/2018						
AD MCT107	12/11/2018	SCALE	DOCUMENT NO.	<b>MTC4037CRHD</b>					
RE BCAMPBELLCON	12/11/2018	1:26							
ECN 008000034517	SIZE	WORK AREA 24	MODEL	DRAWING	SHEET				
	<b>C</b>		VERSION	STATUS	REVISION	VERSION	STATUS	REVISION	1 OF 7
			00	RE	B	00	RE	A	

4

3

2

1

4

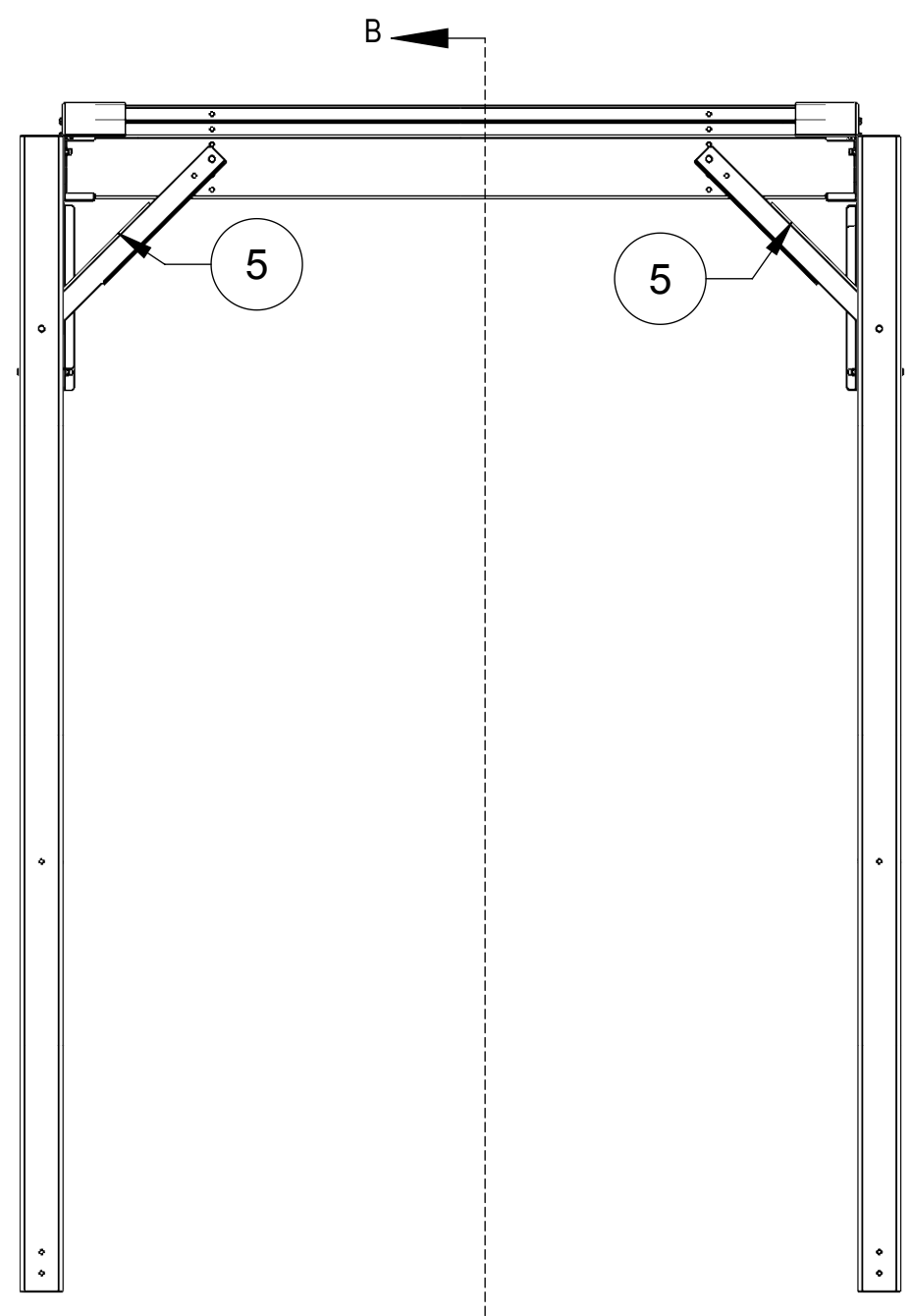
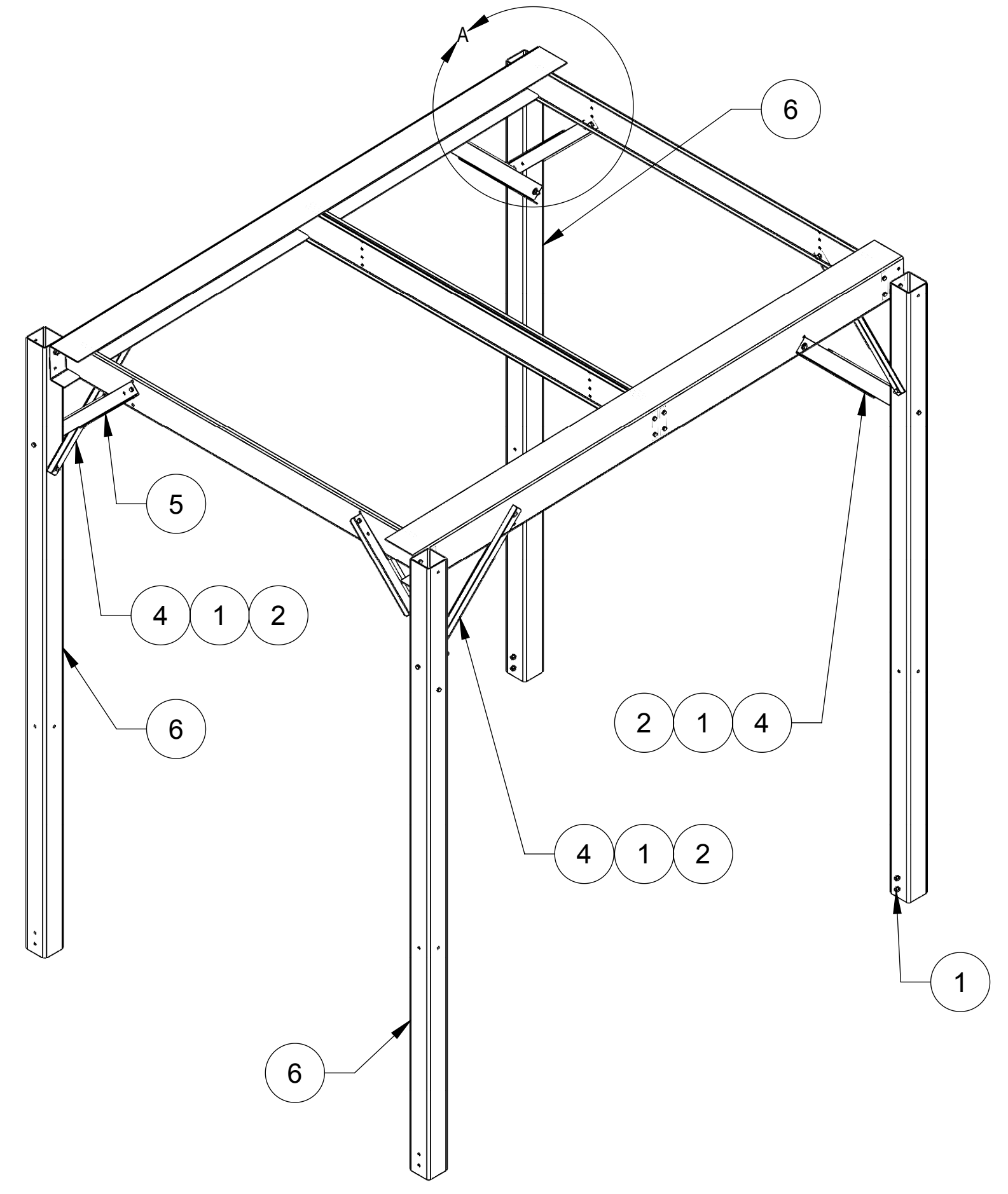
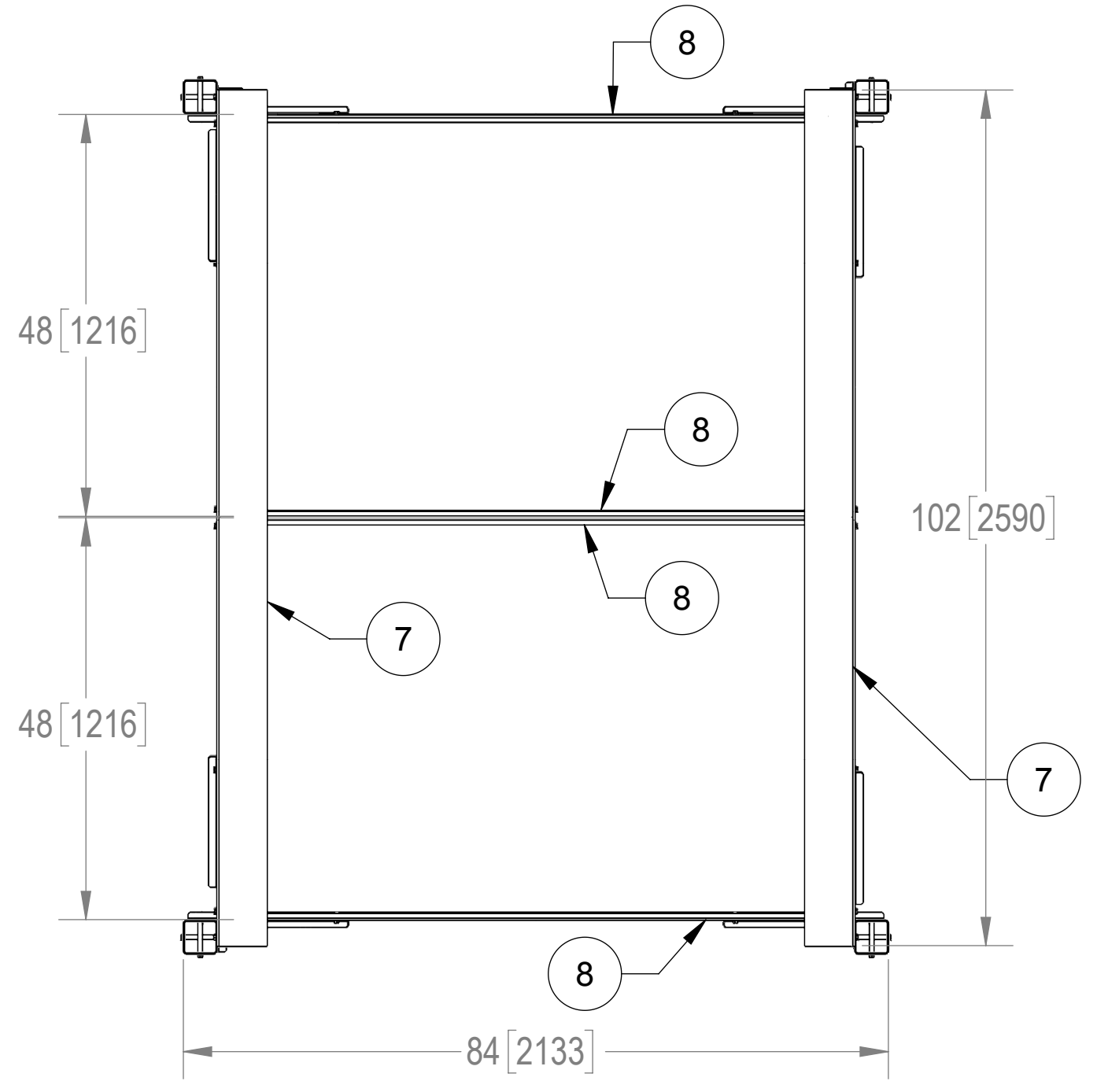
3

2

1

NOTES:

1.0 ALL METRIC DIMENSIONS ARE IN BRACKETS.



COMMSCOPE, INC. OF NORTH CAROLINA					
TITLE 8X8 HD 18GA PROT PLAT CAN					
SIZE C	SCALE 1:18	DOCUMENT NO. MTC4037CRHD			
		DRAWING			SHEET 2 OF 7
		VERSION 00	STATUS RE	REVISION A	

4

3

2

1

4

3

2

1

NOTES:

D

D

C

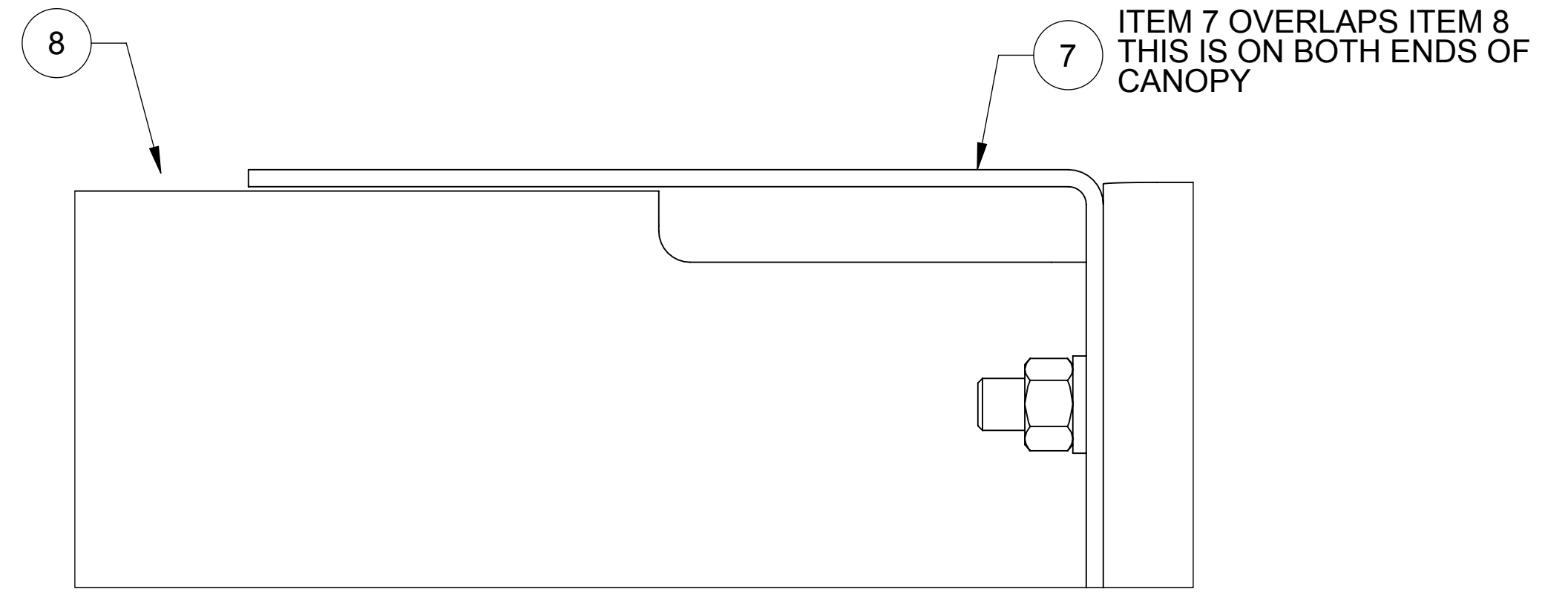
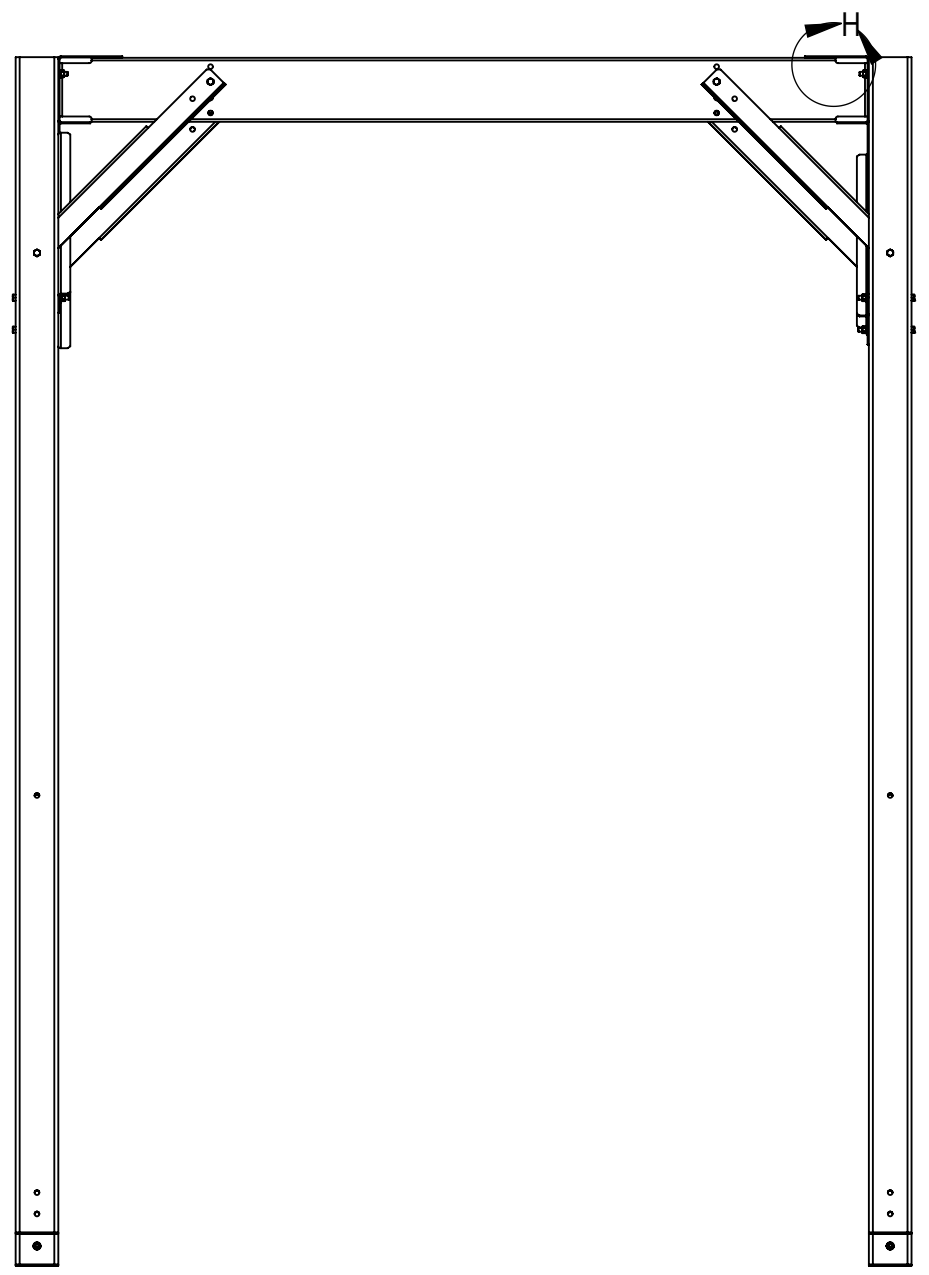
C

B


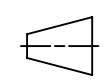
B

A

A



DETAIL H  
SCALE 1:1

COMMSCOPE, INC. OF NORTH CAROLINA				
TITLE 8X8 HD 18GA PROT PLAT CAN				
SIZE <b>C</b>	SCALE <b>1:18</b>	DOCUMENT NO. MTC4037CRHD		
 		DRAWING		SHEET 3 OF 7
		VERSION 00	STATUS RE	

© 2019 CommScope, Inc. Confidential

4

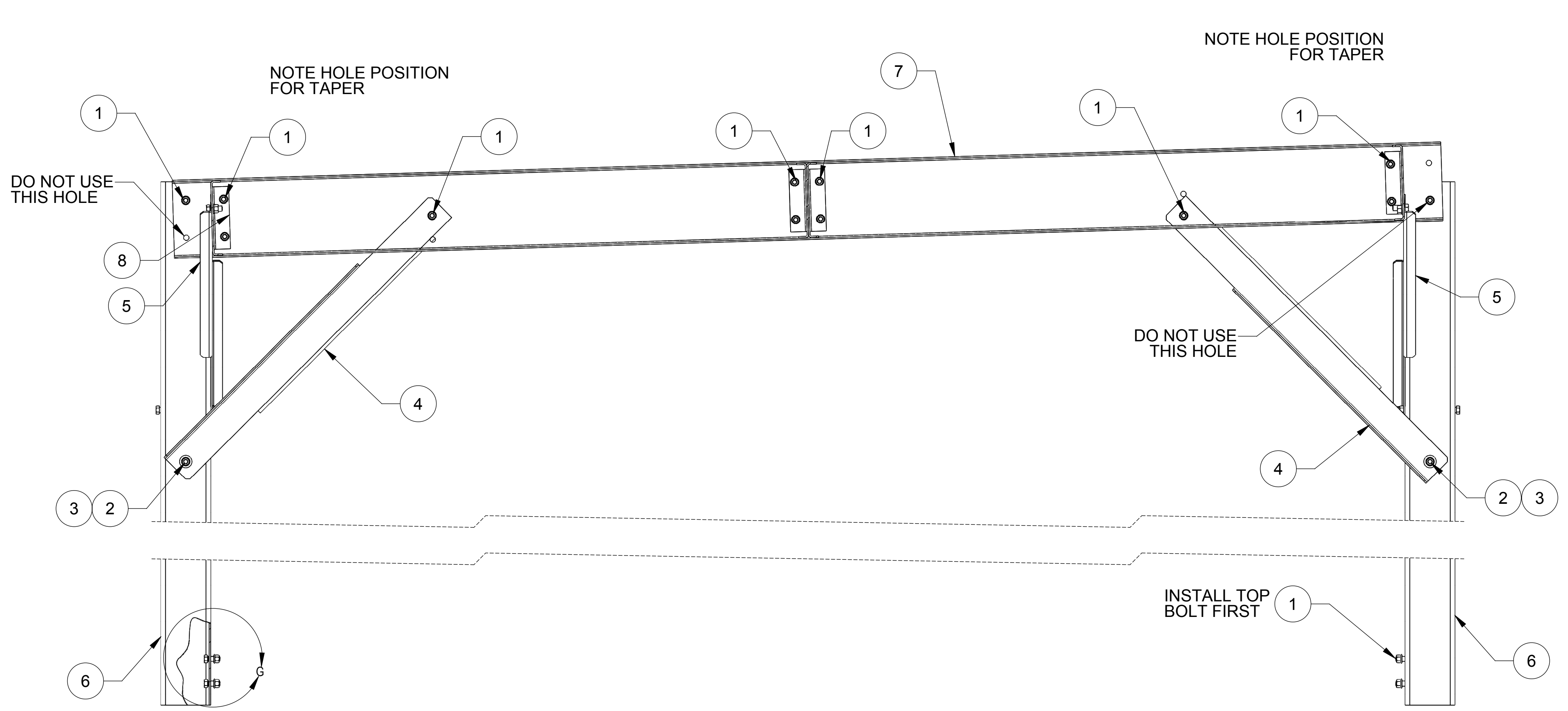
3

2

1



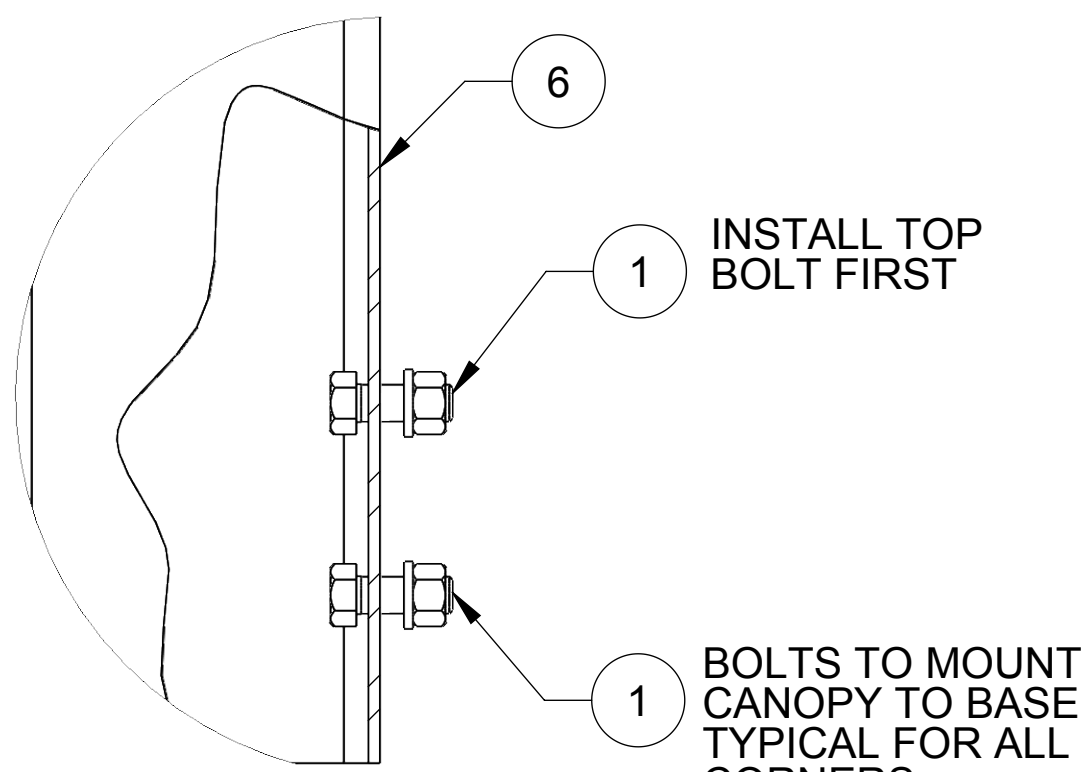
NOTES:  
THIS DESIGN SHOWS THE CANOPY TAPERS DOWN TOWARD  
THE BACK AWAY FROM THE STEPS.



SECTION B-B

**BACK LEG**

**FRONT LEG**



DETAIL G  
SCALE 1:2

COMMSCOPE, INC. OF NORTH CAROLINA				
TITLE 8X8 HD 18GA PROT PLAT CAN				
SIZE <b>C</b>	SCALE <b>1:6</b>	DOCUMENT NO. MTC4037CRHD		
		DRAWING		SHEET
		VERSION	STATUS	REVISION
		00	RE	A
				4 OF 7

4

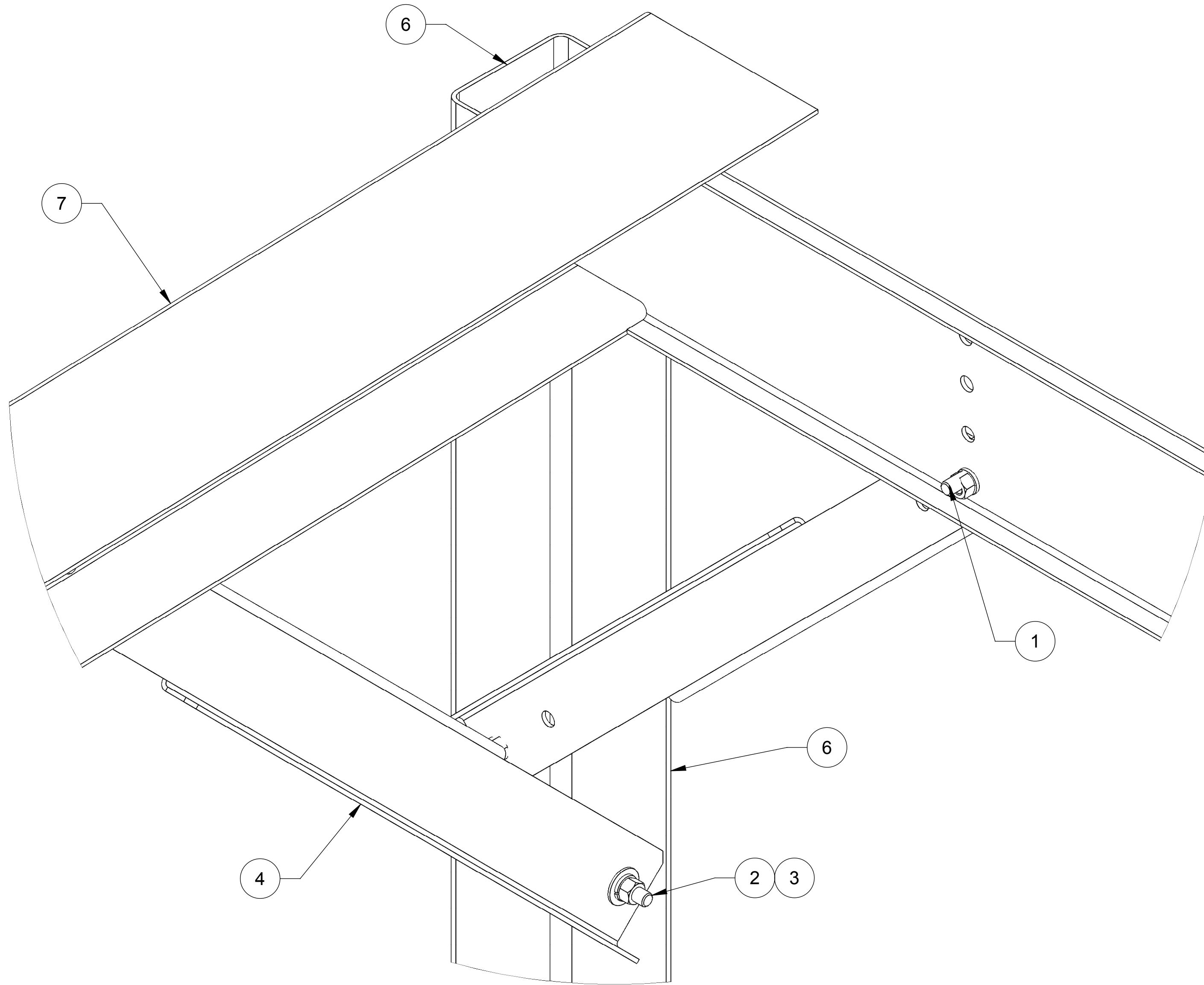
3

2

1

NOTES:

THROUGH BOLT FOR ATTACHING CHANNELS TO POST



DETAIL A  
SCALE 1:2

COMMSCOPE, INC. OF NORTH CAROLINA				
TITLE 8X8 HD 18GA PROT PLAT CAN				
SIZE <b>C</b>	SCALE <b>1:8</b>	DOCUMENT NO. MTC4037CRHD		
		DRAWING		SHEET
		VERSION	STATUS	REVISION
		00	RE	A
				5 OF 7

© 2019 CommScope, Inc. Confidential

4

3

2

1

4

3

2

1

NOTES:

D

D

C

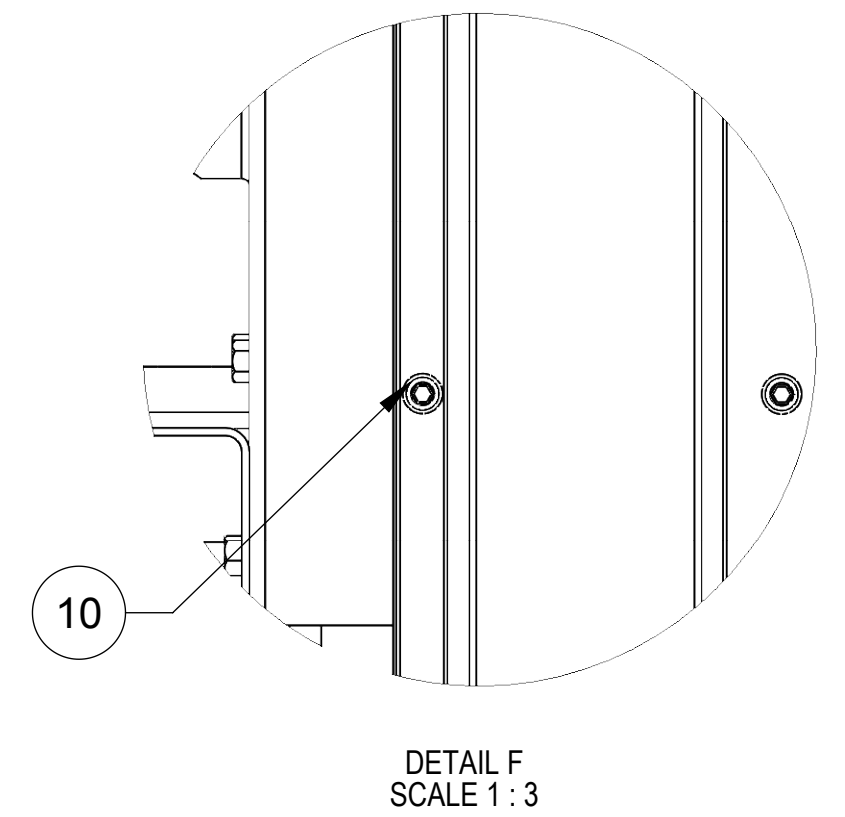
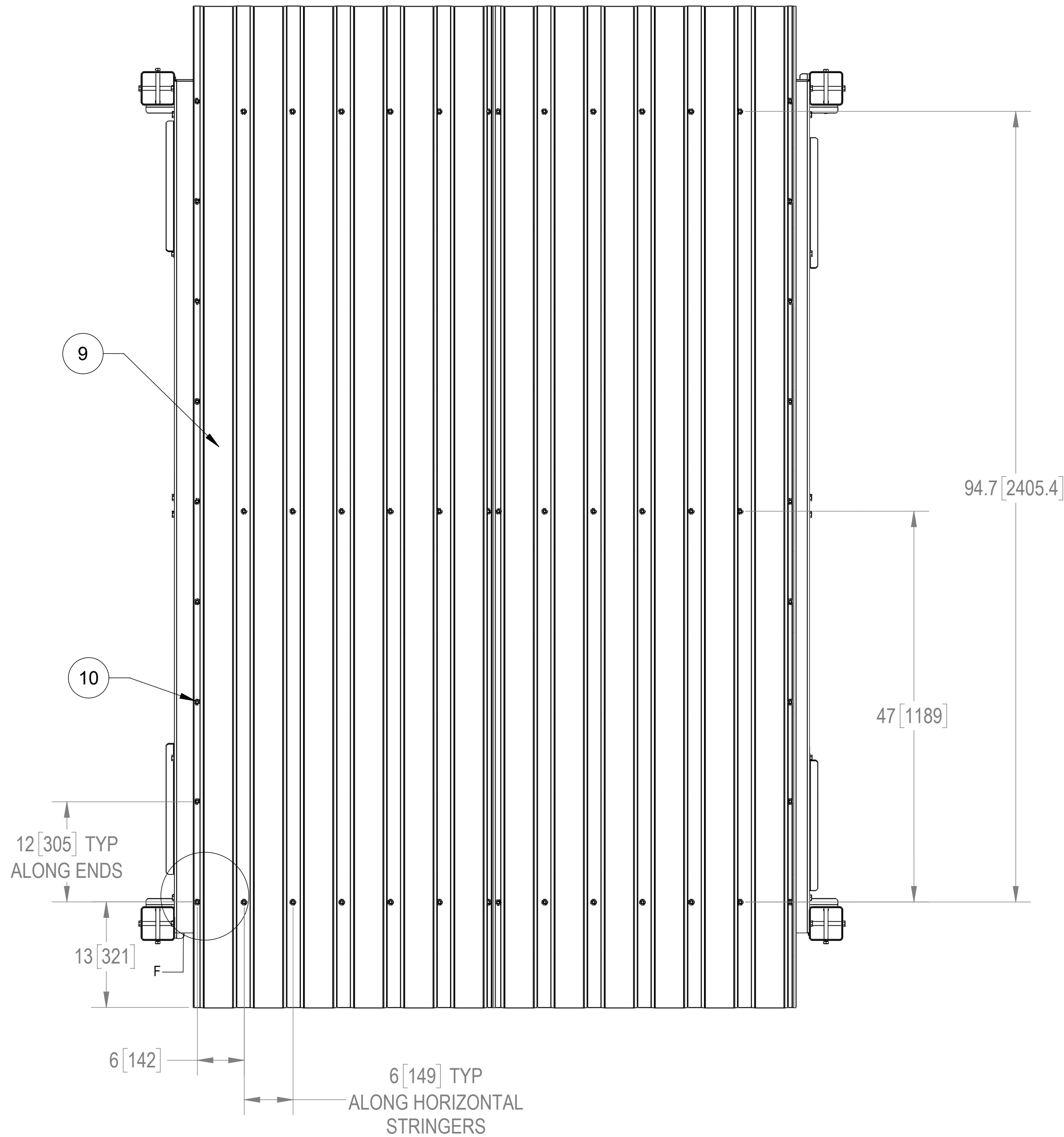
C


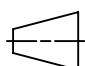
B

B

A

A



COMMSCOPE, INC. OF NORTH CAROLINA					
TITLE 8X8 HD 18GA PROT PLAT CAN					
SIZE C	SCALE 1:10	DOCUMENT NO. MTC4037CRHD			
 		DRAWING			SHEET 6 OF 7
		VERSION 00	STATUS RE	REVISION A	

© 2019 CommScope, Inc. Confidential

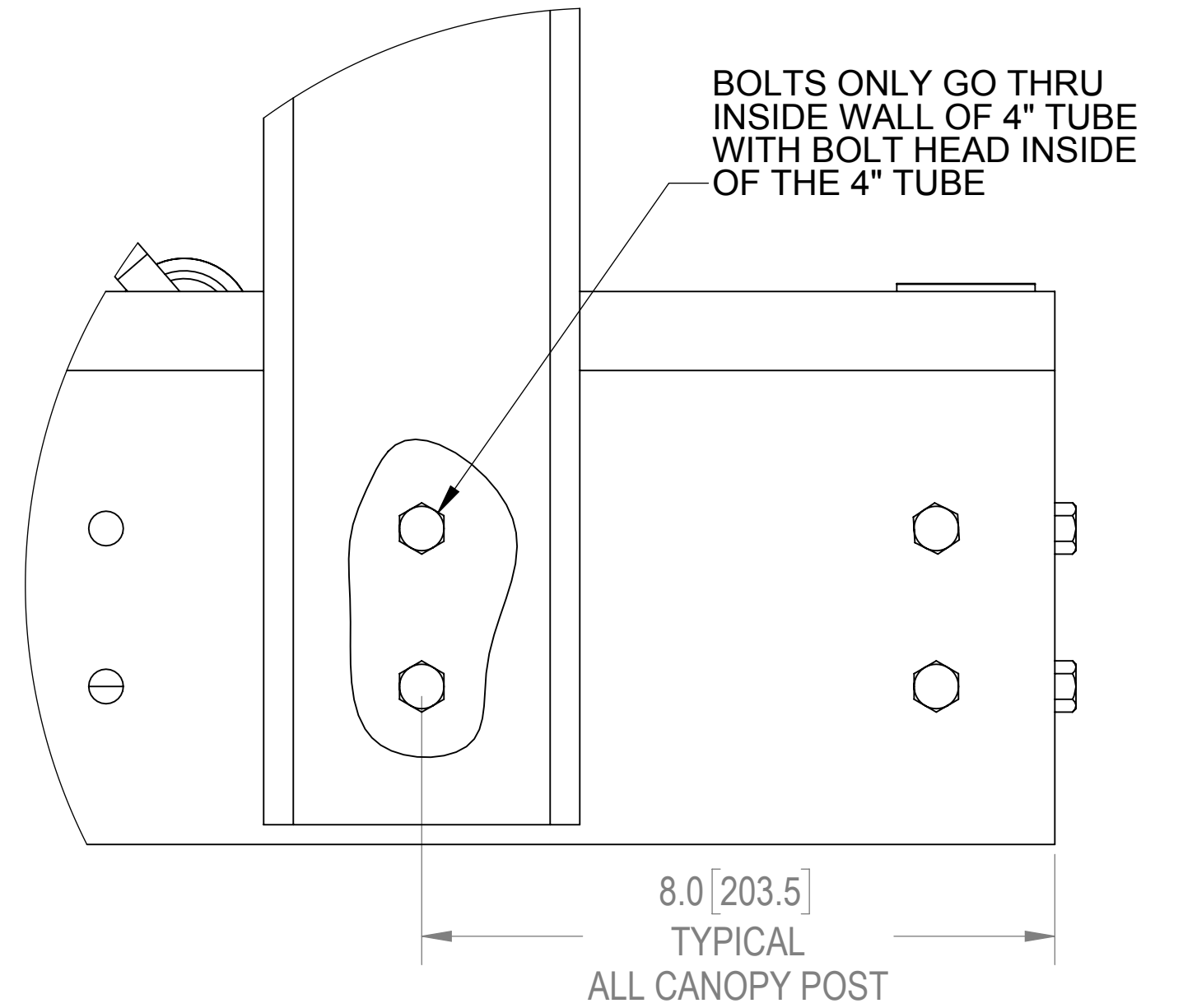
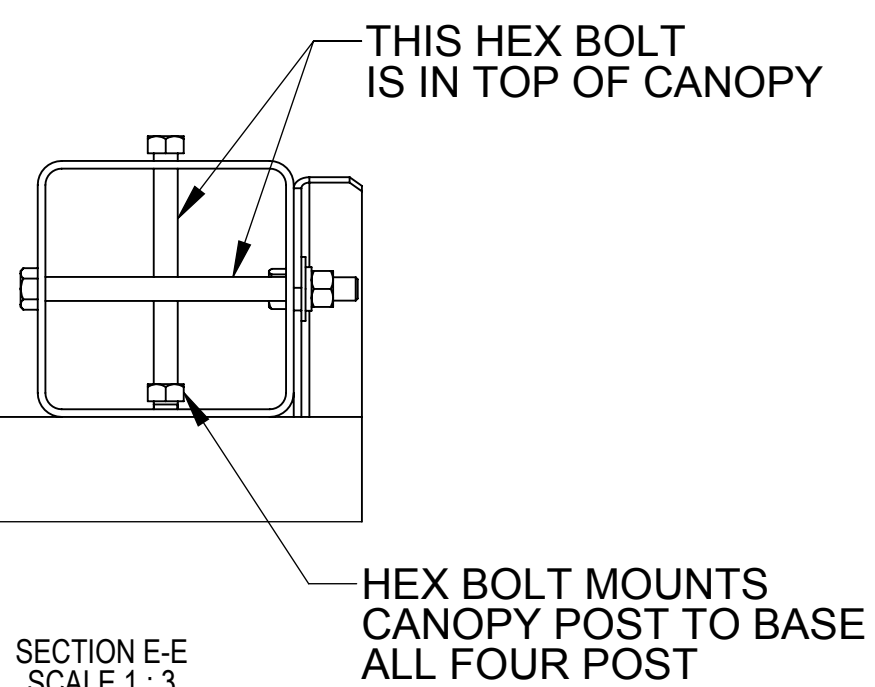
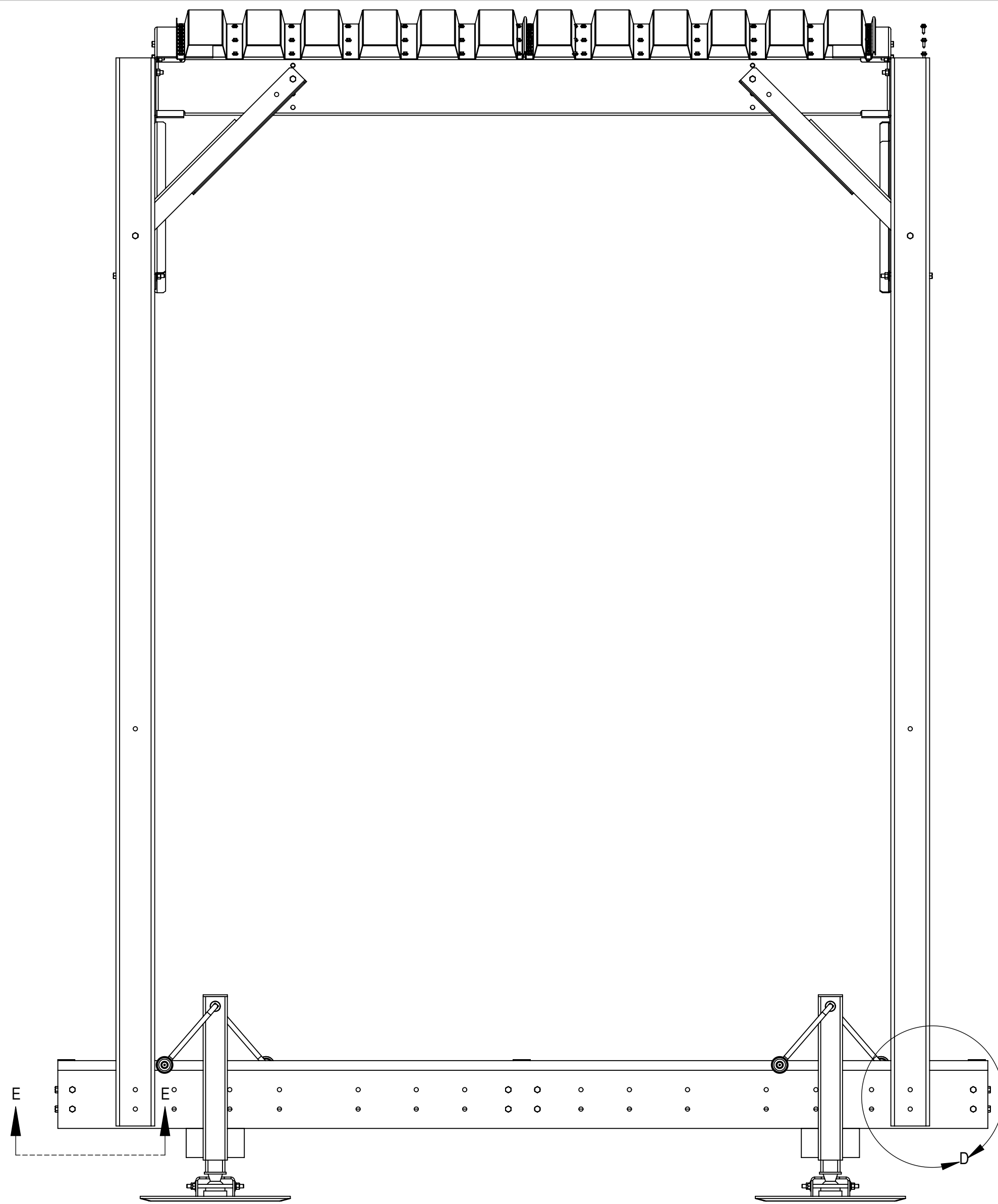
4

3

2

1

NOTES:



COMMSCOPE, INC. OF NORTH CAROLINA				
TITLE 8X8 HD 18GA PROT PLAT CAN				
SIZE C	SCALE 1:10	DOCUMENT NO. MTC4037CRHD		
		DRAWING		SHEET
		VERSION	STATUS	REVISION
		00	RE	A
				7 OF 7

© 2019 CommScope, Inc. Confidential