

4

3

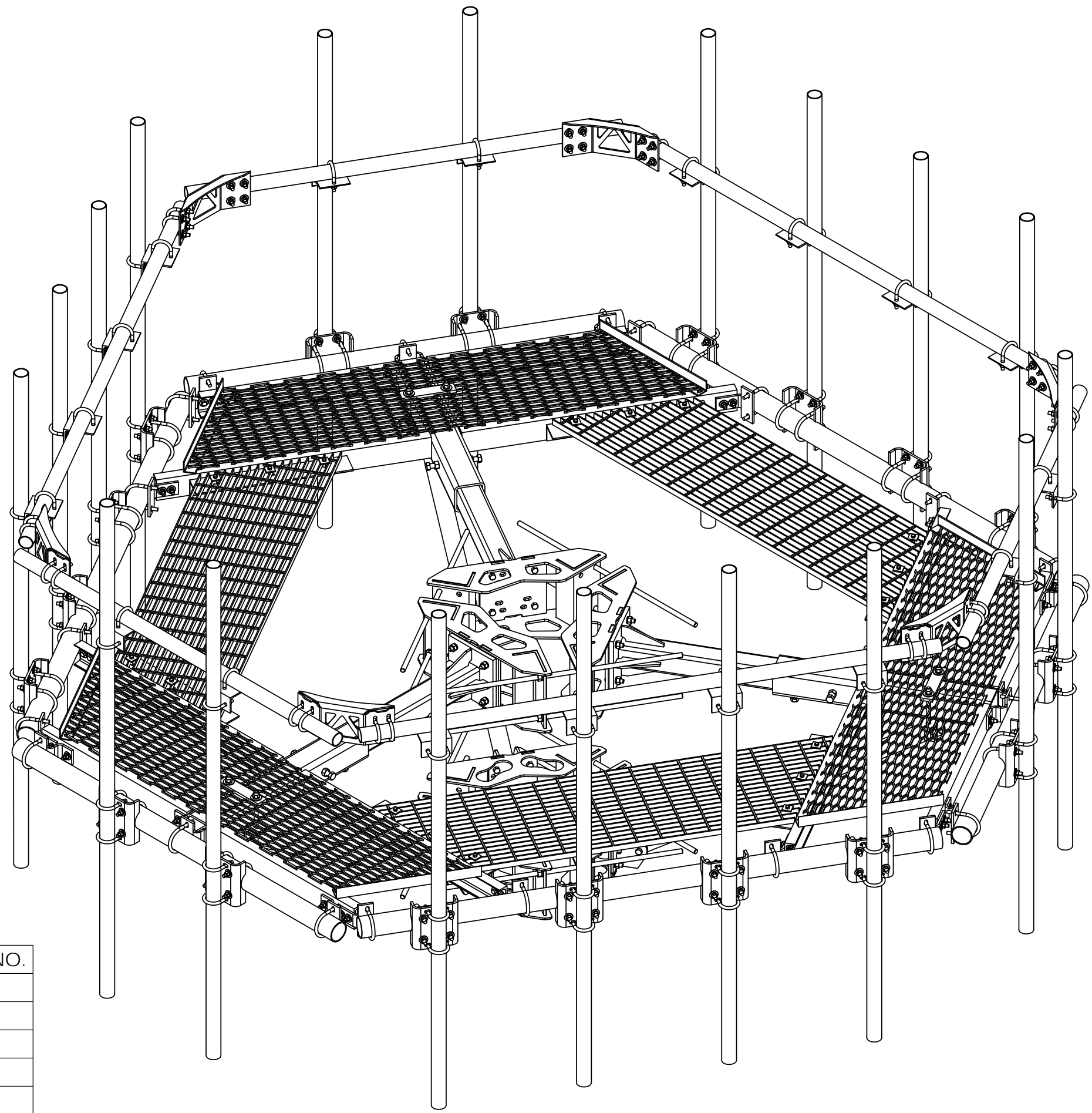
2

1

NOTES:

- 1.0 ALL METRIC DIMENSIONS ARE IN BRACKETS.
- 2.0 CAUTION MUST BE USED WHEN ASSEMBLING TO PREVENT ANY LOOSE PARTS FROM FALLING DURING POSITIONING OF MOUNT ON TOWER.

REVISIONS				
REV.	ECN	DESCRIPTION	BY	DATE
A	8000023949	INITIAL RELEASE	DRR	06/14/17



ITEM	PART NO.	DESCRIPTION	QTY.	WEIGHT	NOTE NO.
1	GB-03225	3/8" X 2-1/4" GALV BOLT KIT	18	0.09 LBS	
2	GB-04205	1/2" X 2" GALV BOLT KIT	36	0.16 LBS	
3	GB-0524A	5/8" X 2-1/2" GALV BOLT KIT (A325)	12	0.30 LBS	
4	GB-06205	3/4" X 2" GALV BOLT KIT	12	0.41 LBS	
5	GUB-4240	1/2" X 2-1/2" X 4" GALV U-BOLT	24	0.56 LBS	
6	GUB-4355	1/2" X 3-5/8" X 5" GALV U-BOLT	21	0.70 LBS	
7	GWF-04	1/2" GALV FLAT WASHER	72	0.03 LBS	
8	MC-RM1550-3	12" - 50" OD RINGMOUNT	1	230.72 LBS	
9	MT-219-H	2.375" OD x 48" PIPE MOUNT KIT	18	11.38 LBS	
10	MT-387	SQUARE WASHER, 1-1/2" X 1-1/2" W/ 7/16" HOLE	18	0.11 LBS	
11	MT-651	2.375" OD x 72" PIPE	3	21.32 LBS	
12	MT-651-96	Ø 2.375" OD X 96" PIPE	21	23.05 LBS	
13	MT19617	MT196 Pipe Mount Plate	12	2.49 LBS	
14	MT54772	Ø 3.50" O.D X 72" PIPE	3	36.08 LBS	
15	MT54796	3.50" OD X 96" GALV PIPE	3	48.11 LBS	
16	MTC398401	WELDMENT, 6 SECTOR PLATFORM	3	221.73 LBS	
17	MTC398402	WELDMENT, 6 SECTOR - STANDOFF TUBE	3	66.96 LBS	
18	MTC398417	BRACKET, FACE PIPE SUPPORT - CENTER	3	4.52 LBS	
19	MTC398418	BRACKET, FACE PIPE SUPPORT - END	6	3.08 LBS	
20	MTC398419	GRATING, FILLER	3	66.49 LBS	
21	MTC398420	CORNER WELDMENT FOR MTC3984	6	7.57 LBS	
22	MTC3984RK	reinforcement Kit, 3-Sector, 60" Arm, 15-50	1	334.86 LBS	
23	XA-2020	CROSS OVER ANGLE KIT OF 2	9	4.12 LBS	

**COMMScope, INC. OF NORTH CAROLINA**

TOLERANCES		SAP MATERIAL MASTER	
0 PLACE X ± .25	2 PLACE .XX ± .06	<b>MTC3984</b>	
1 PLACE .X ± .12	ANGLES ± 2°		
FINISH		MATERIAL	
<b>GALV A123</b>		<b>A36, A529, A500</b>	
UNLESS OTHERWISE SPECIFIED DIMENSIONS ARE IN MILLIMETERS INTERPRET PER ISO STANDARDS HANDBOOK TECHNICAL DRAWINGS VOLUMES 1 & 2, THIRD EDITION (2002)	NAME	DATE	TITLE
	CE <b>DRR</b>	06/14/17	<b>PLATFORM, MONOPOLE - 6 SECTOR</b>
	RW		
	AD		
	RE <b>TP</b>	06/14/17	
ECN <b>8000023949</b>	SCALE <b>1:18</b>	DOCUMENT NO. <b>MTC3984</b>	
SIZE	WORK AREA	MODEL	
<b>C</b>		VERSION	STATUS
		REVISION	REVISION
		DRAWING	
		VERSION	STATUS
		REVISION	REVISION
		<b>A</b>	
			SHEET
			1 OF 5

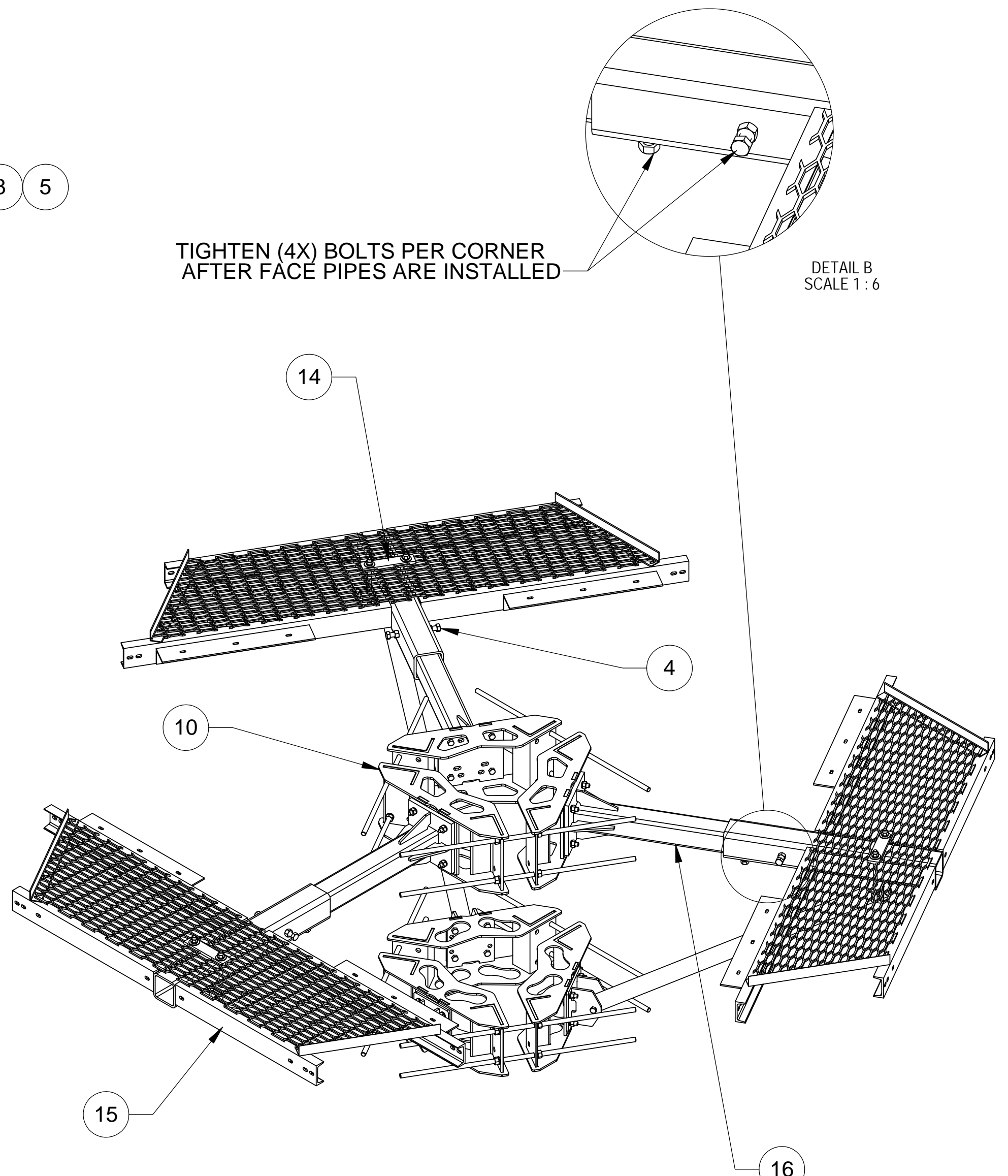
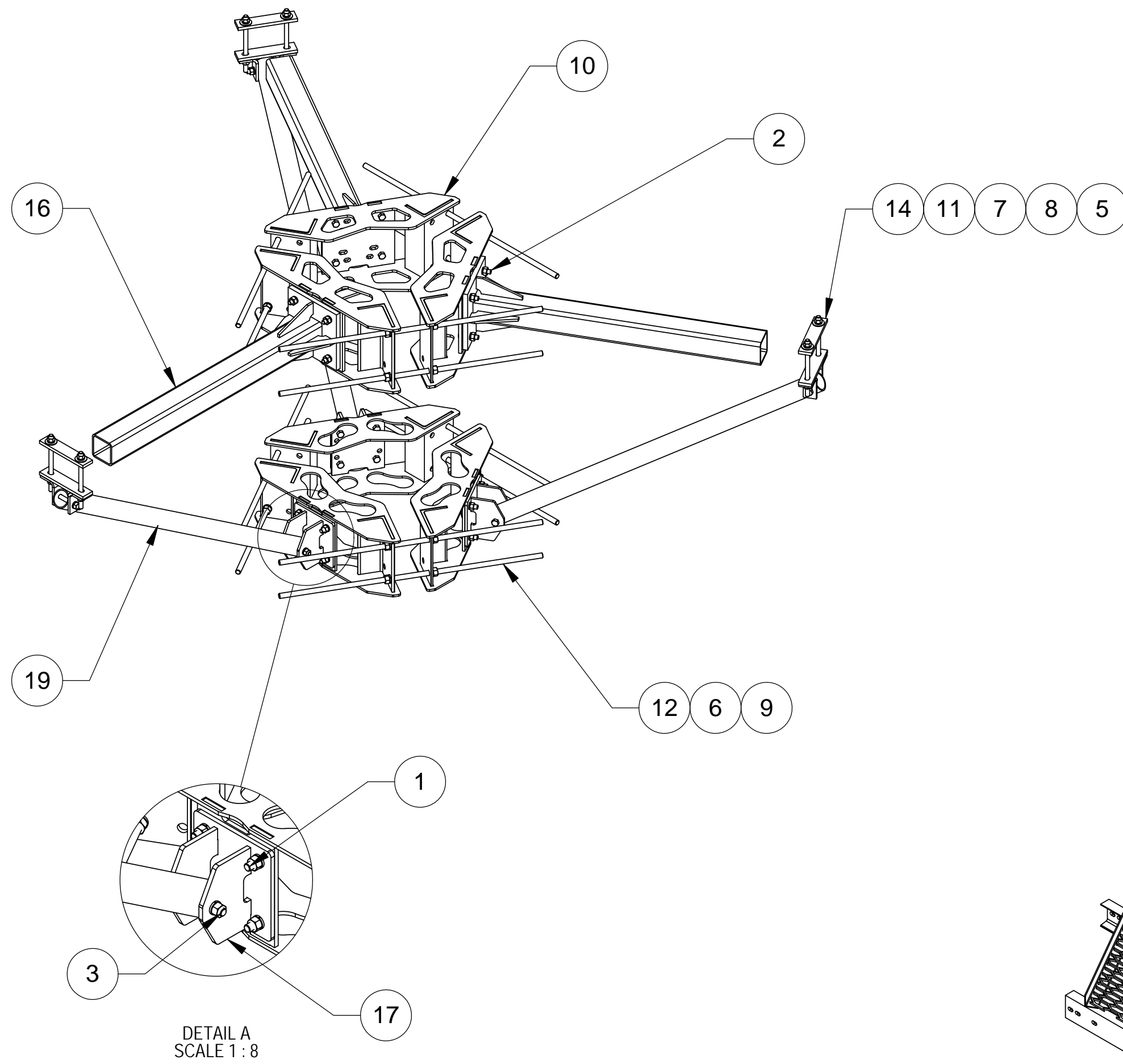
4

3

2

1

NOTES:



ITEM	PART NO.	DESCRIPTION	QTY.	WEIGHT	NOTE NO.
1	GB-0520A	5/8" X 2" GALV BOLT KIT (A325)	12	0.26 LBS	
2	GB-0524A	5/8" X 2-1/2" GALV BOLT KIT (A325)	12	0.30 LBS	
3	GB-0546A	5/8" X 4-3/4" GALV BOLT KIT A325	6	0.50 LBS	
4	GB-06205	3/4" X 2" GALV BOLT KIT	12	0.41 LBS	
5	GN-05	5/8" GALV HEX NUT	12	0.08 LBS	
6	GN-06	3/4" GALV HEX NUT	12	0.15 LBS	
7	GWF-05	5/8" GALV FLAT WASHER	12	0.06 LBS	
8	GWL-05	5/8" GALV LOCK WASHER	12	0.03 LBS	
9	GWL-06	3/4" GALV LOCK WASHER	12	0.04 LBS	
10	MC-RM1550-3	12" - 50" OD RINGMOUNT	1	230.72 LBS	
11	MT-381-10	5/8" X 10" GALV THREADED ROD	6	0.86 LBS	
12	MT38440	3/4" X 40" GALV THREADED ROD GRADE B7	6	4.98 LBS	
13	MTC306504W	1550 RM Weldment	3	49.37 LBS	
14	MTC323704	Clamp Bar	6	2.37 LBS	
15	MTC398401	WELDMENT, 6 SECTOR PLATFORM	3	221.73 LBS	
16	MTC398402	WELDMENT, 6 SECTOR - STANDOFF TUBE	3	66.96 LBS	
17	RK01	KICKER STANDOFF WELDMENT	3	12.54 LBS	
18	RK02	CONNECTION BRACKET	6	1.21 LBS	
19	RK60	KICKER ARM SUPPORT TUBE 5'	3	26.75 LBS	

COMMSCOPE, INC. OF NORTH CAROLINA

TITLE  
**PLATFORM, MONOPOLE - 6 SECTOR**

SIZE **C** SCALE **1:16** DOCUMENT NO. **MTC3984**

DRAWING		SHEET 2 OF 5
VERSION	REVISION	
	<b>A</b>	

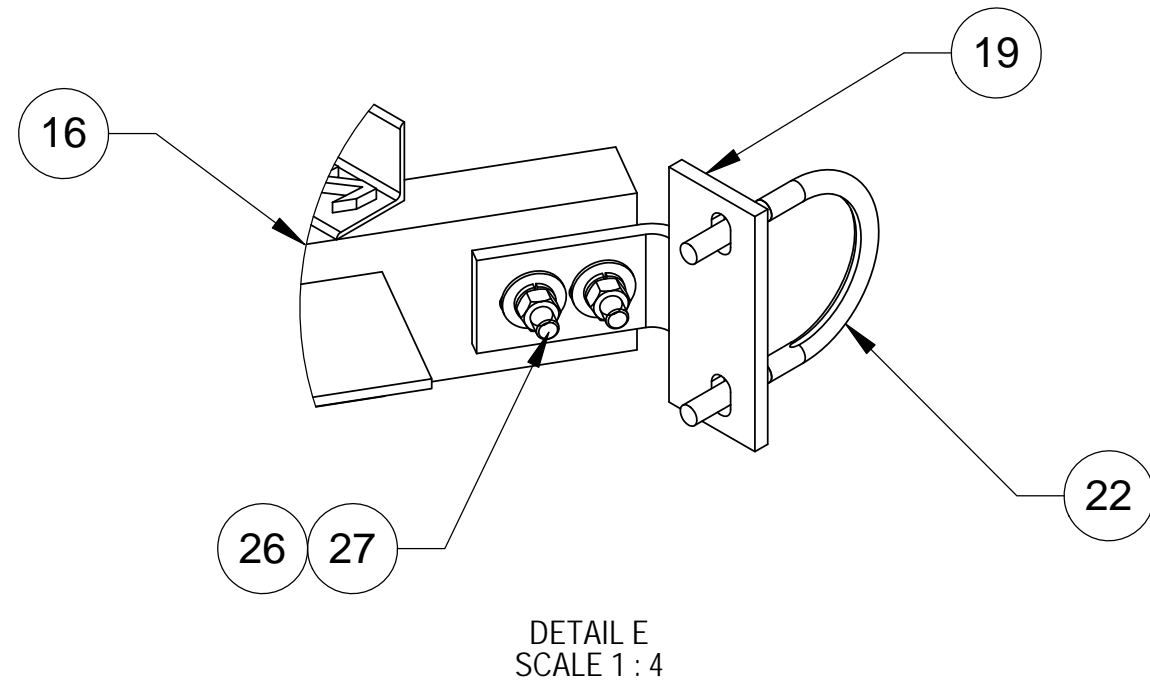
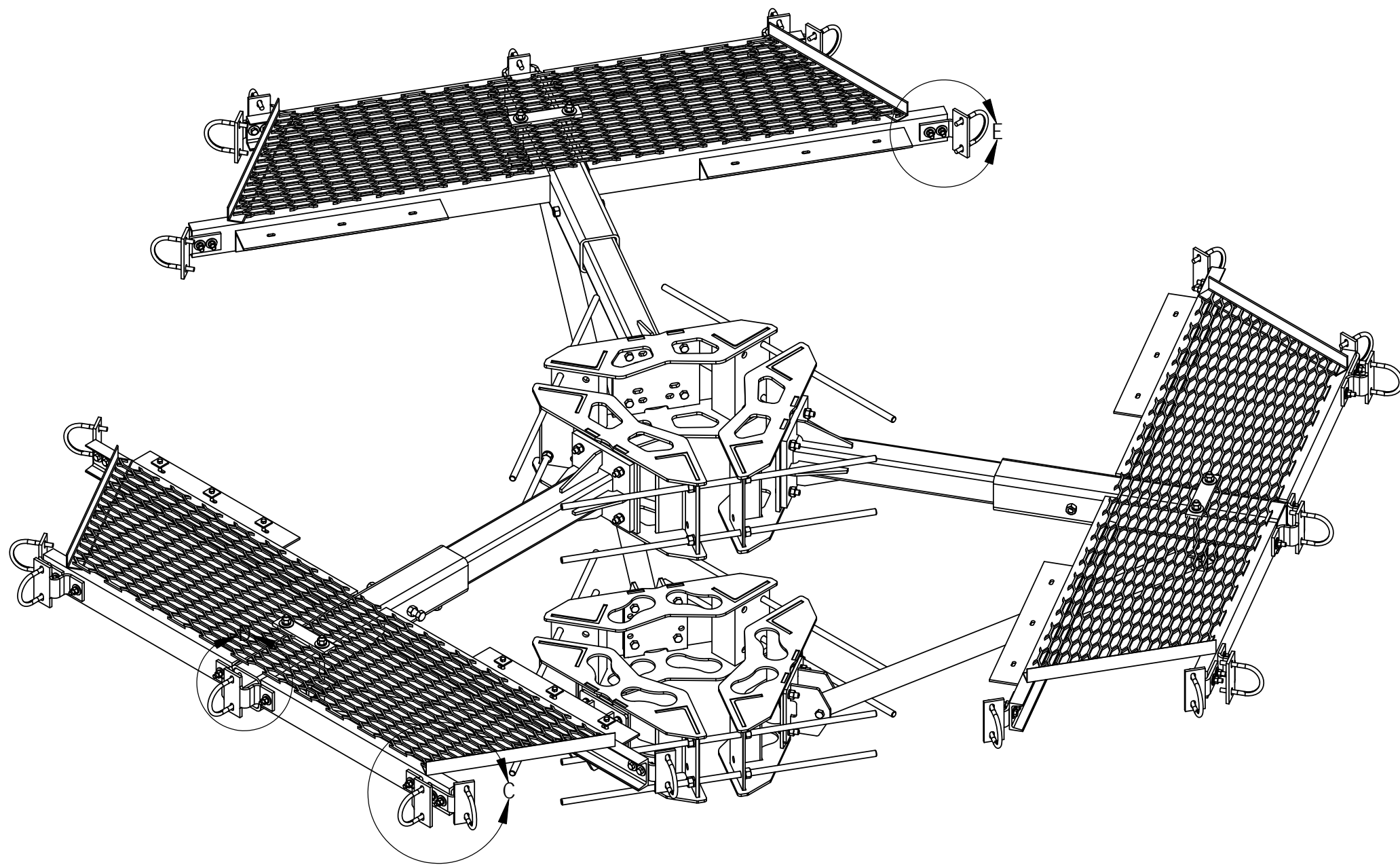
4

3

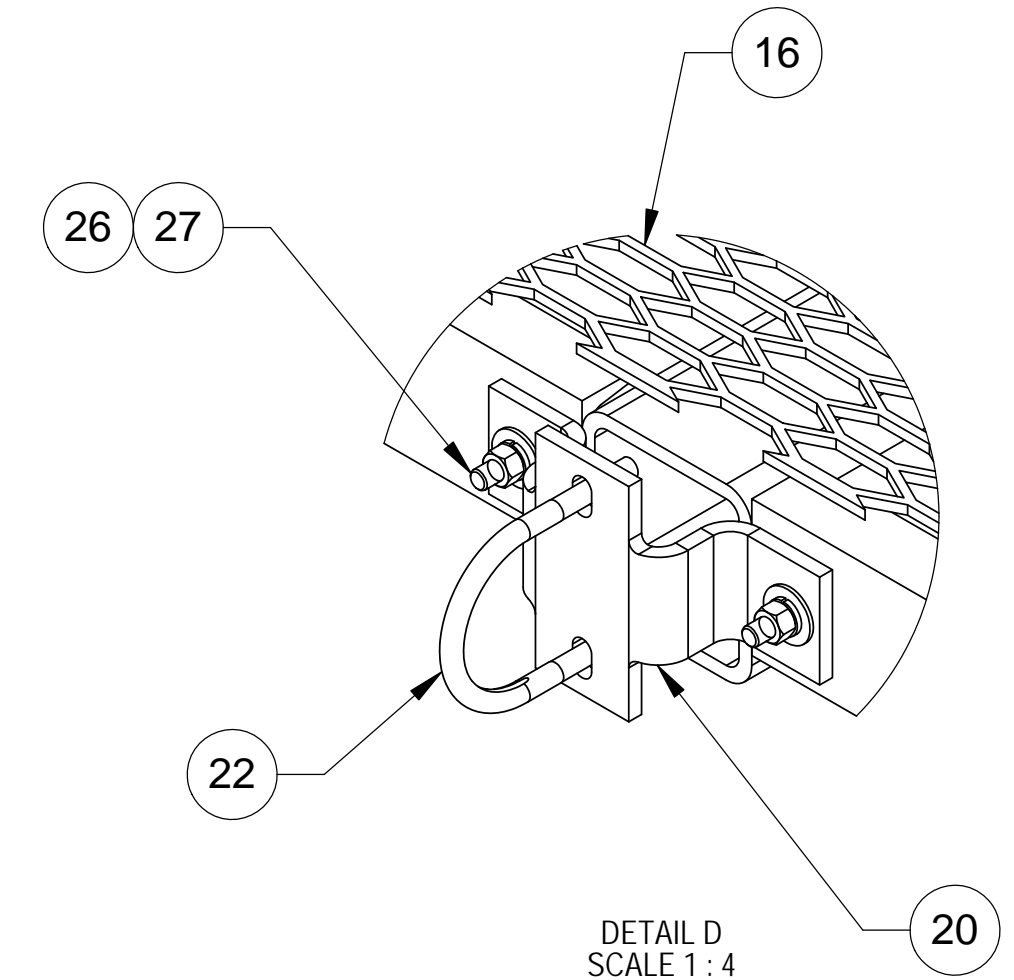
2

1

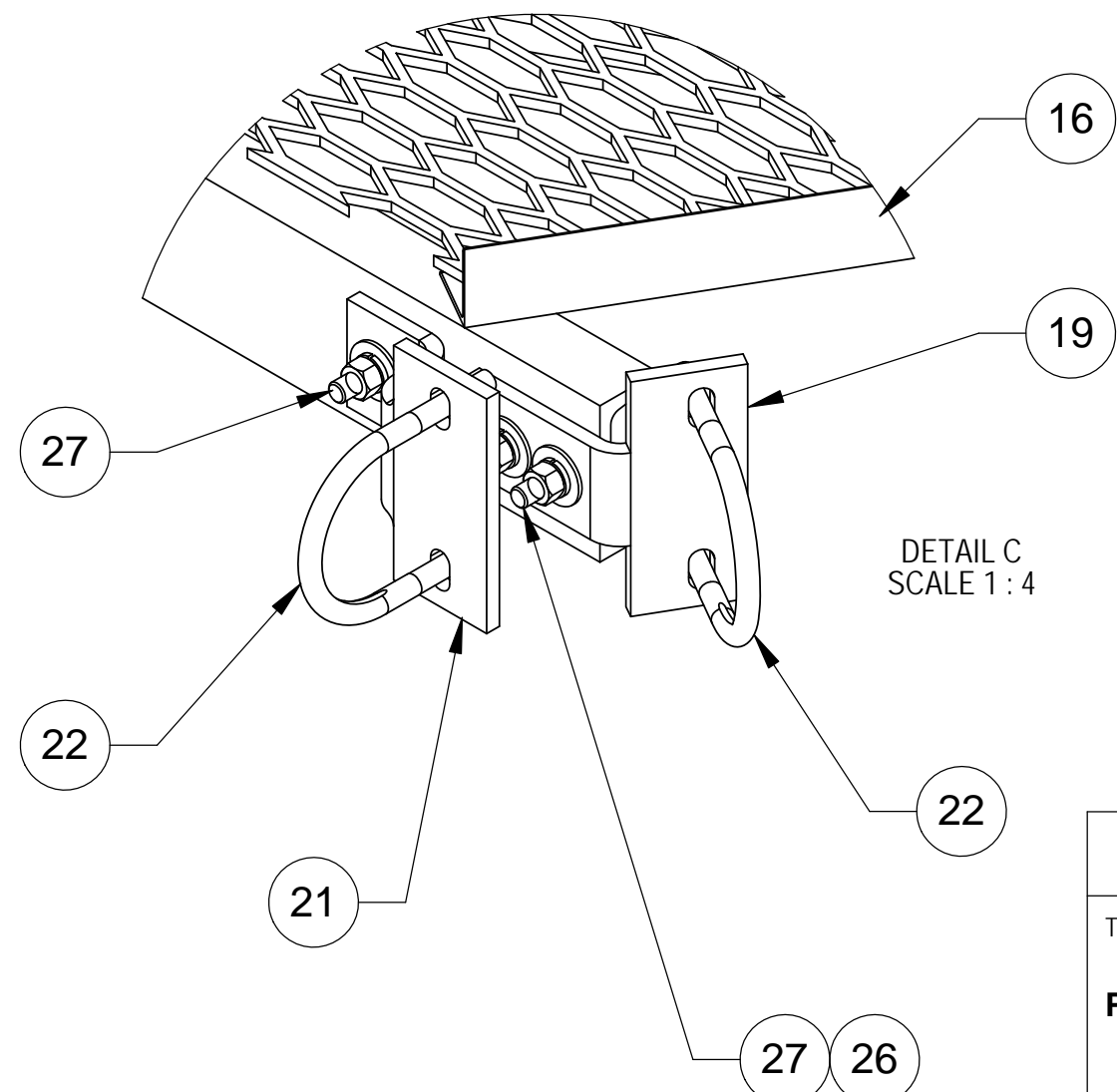
NOTES:



DETAIL E  
SCALE 1:4



DETAIL D  
SCALE 1:4



DETAIL C  
SCALE 1:4

ITEM	PART NO.	DESCRIPTION	QTY.	WEIGHT	NOTE NO.
1	MC-RM1550-3	12" - 50" OD RINGMOUNT	1	230.72 LBS	
2	MTC306504W	1550 RM Weldment	3	49.37 LBS	
3	MT38440	3/4" X 40" GALV THREADED ROD GRADE B7	6	4.98 LBS	
4	GWL-06	3/4" GALV LOCK WASHER	12	0.04 LBS	
5	GN-06	3/4" GALV HEX NUT	12	0.15 LBS	
6	MTC323704	Clamp Bar	6	2.37 LBS	
7	RK01	KICKER STANDOFF WELDMENT	3	12.54 LBS	
8	RK60	KICKER ARM SUPPORT TUBE 5'	3	26.75 LBS	
9	RK02	CONNECTION BRACKET	6	1.21 LBS	
10	GB-0546A	5/8" X 4-3/4" GALV BOLT KIT A325	6	0.50 LBS	
11	GWF-05	5/8" GALV FLAT WASHER	12	0.06 LBS	
12	GWL-05	5/8" GALV LOCK WASHER	12	0.03 LBS	
13	GN-05	5/8" GALV HEX NUT	12	0.08 LBS	
14	MT-381-10	5/8" X 10" GALV THREADED ROD	6	0.86 LBS	
15	GB-0520A	5/8" X 2" GALV BOLT KIT (A325)	12	0.26 LBS	
16	MTC398401	WELDMENT, 6 SECTOR PLATFORM	3	221.73 LBS	
17	MTC398402	WELDMENT, 6 SECTOR - STANDOFF TUBE	3	66.96 LBS	
18	GB-0524A	5/8" X 2-1/2" GALV BOLT KIT (A325)	12	0.30 LBS	
19	MT19617	MT196 Pipe Mount Plate	12	2.49 LBS	
20	MTC398417	BRACKET, FACE PIPE SUPPORT - CENTER	3	4.52 LBS	
21	MTC398418	BRACKET, FACE PIPE SUPPORT - END	6	3.08 LBS	
22	GUB-4355	1/2" X 3-5/8" X 5" GALV U-BOLT	21	0.70 LBS	
23	GB-03225	3/8" X 2-1/4" GALV BOLT KIT	6	0.09 LBS	
24	MT-387	SQUARE WASHER, 1-1/2" X 1-1/2" W/ 7/16" HOLE	6	0.11 LBS	
25	GB-06205	3/4" X 2" GALV BOLT KIT	4	0.41 LBS	
26	GWF-04	1/2" GALV FLAT WASHER	72	0.03 LBS	
27	GB-04205	1/2" X 2" GALV BOLT KIT	36	0.16 LBS	

COMMScope, INC. OF NORTH CAROLINA				
TITLE				
<b>PLATFORM, MONOPOLE - 6 SECTOR</b>				
SIZE <b>C</b>	SCALE <b>1:16</b>	DOCUMENT NO. <b>MTC3984</b>		
DRAWING		VERSION	STATUS	REVISION
				<b>A</b>
				SHEET 3 OF 5

4

3

2

1

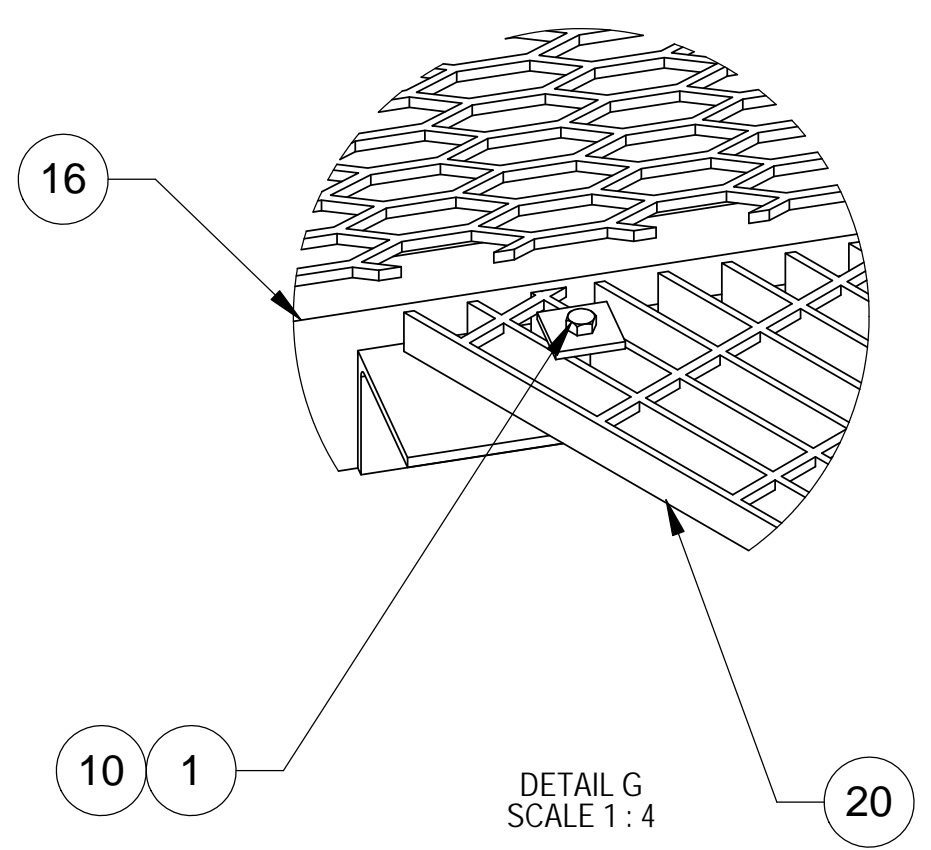
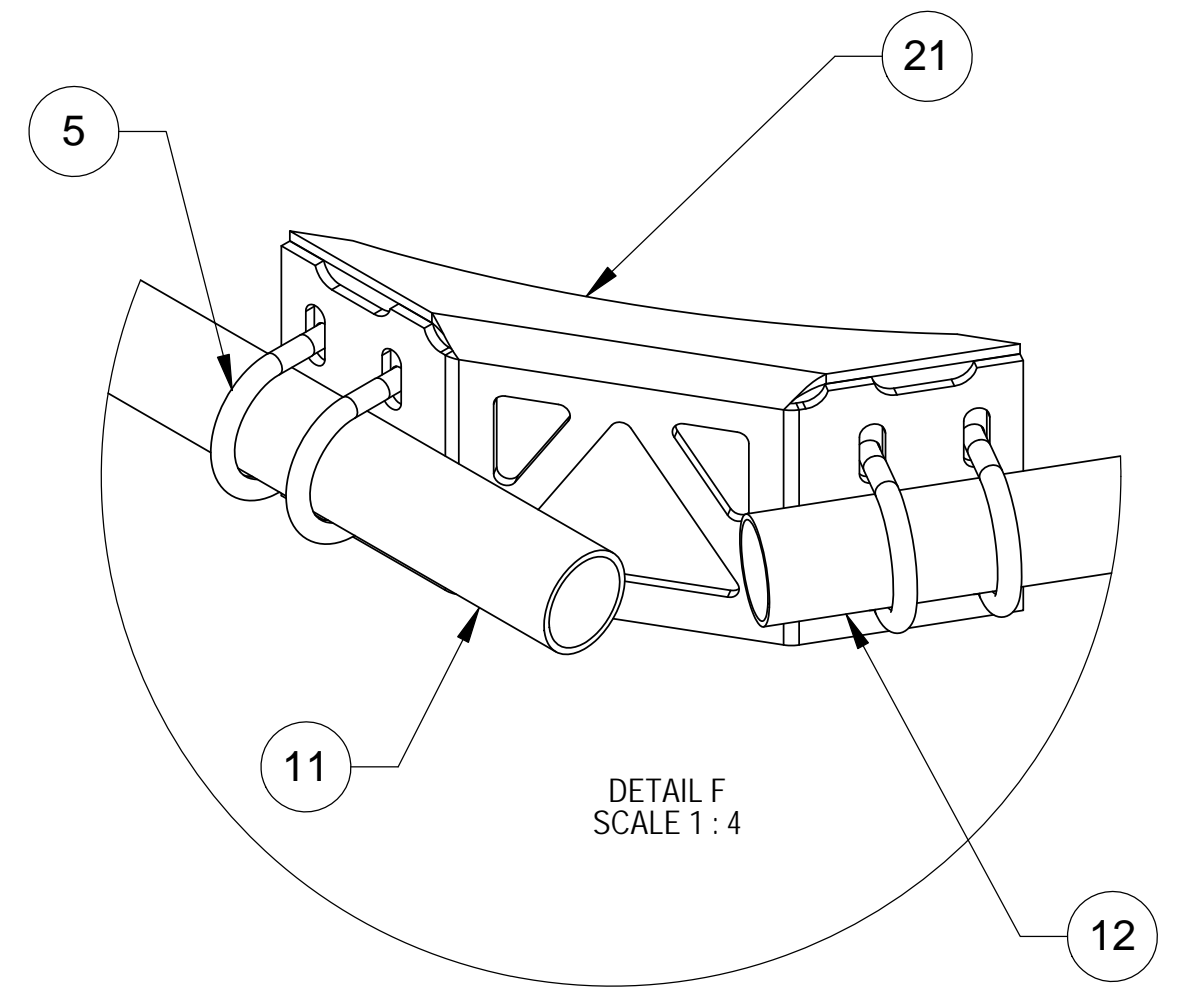
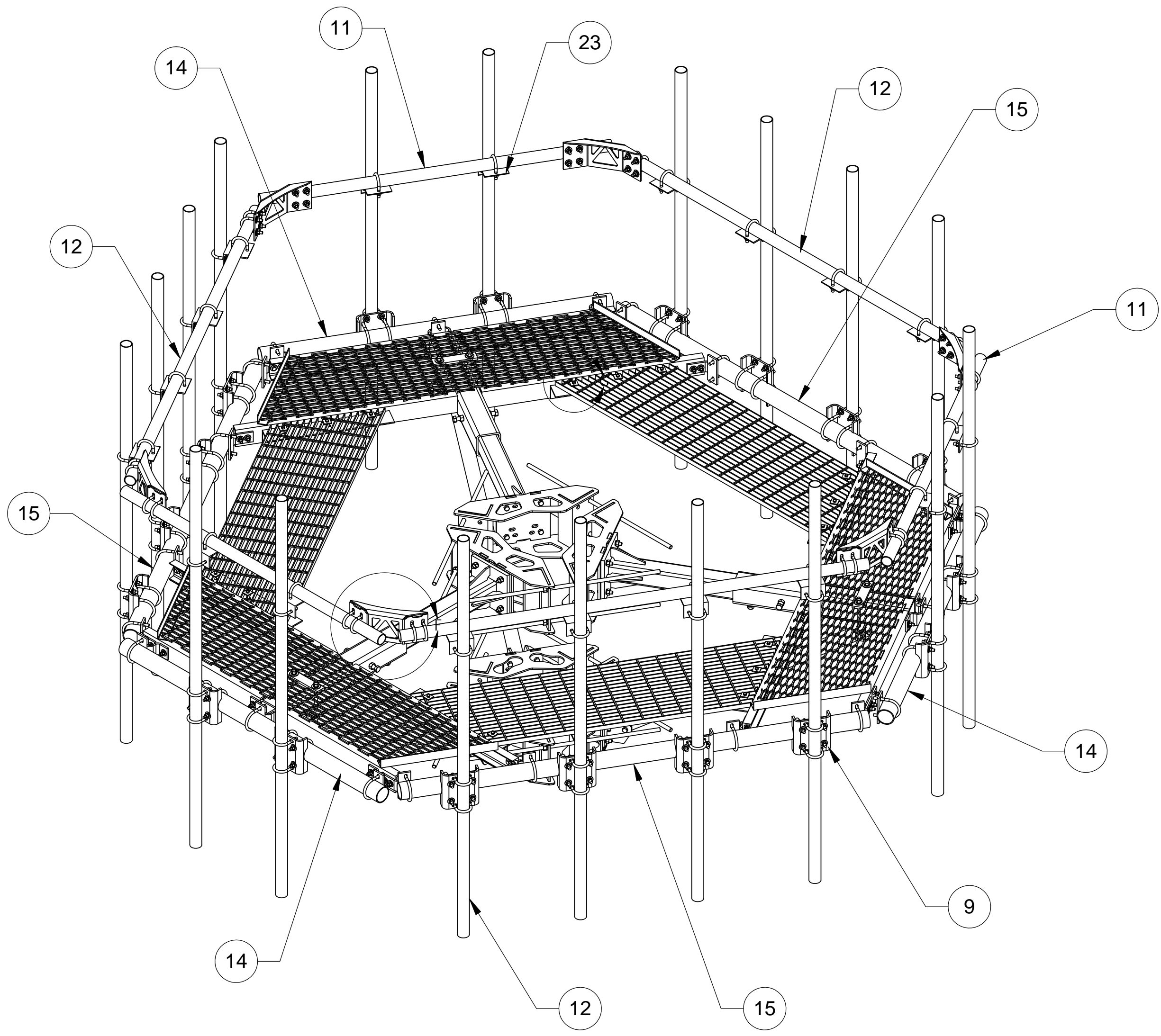
4

3

2

1

NOTES:



COMMSCOPE, INC. OF NORTH CAROLINA				
TITLE				
<b>PLATFORM, MONOPOLE - 6 SECTOR</b>				
SIZE	SCALE	DOCUMENT NO.		
<b>C</b>	<b>1:18</b>	<b>MTC3984</b>		
		DRAWING		SHEET
		VERSION	STATUS	REVISION
				<b>A</b>
				4 OF 5

© 2015 CommScope, Inc. Confidential

4

3

2

1

D

D

C

C

B

B

A

A

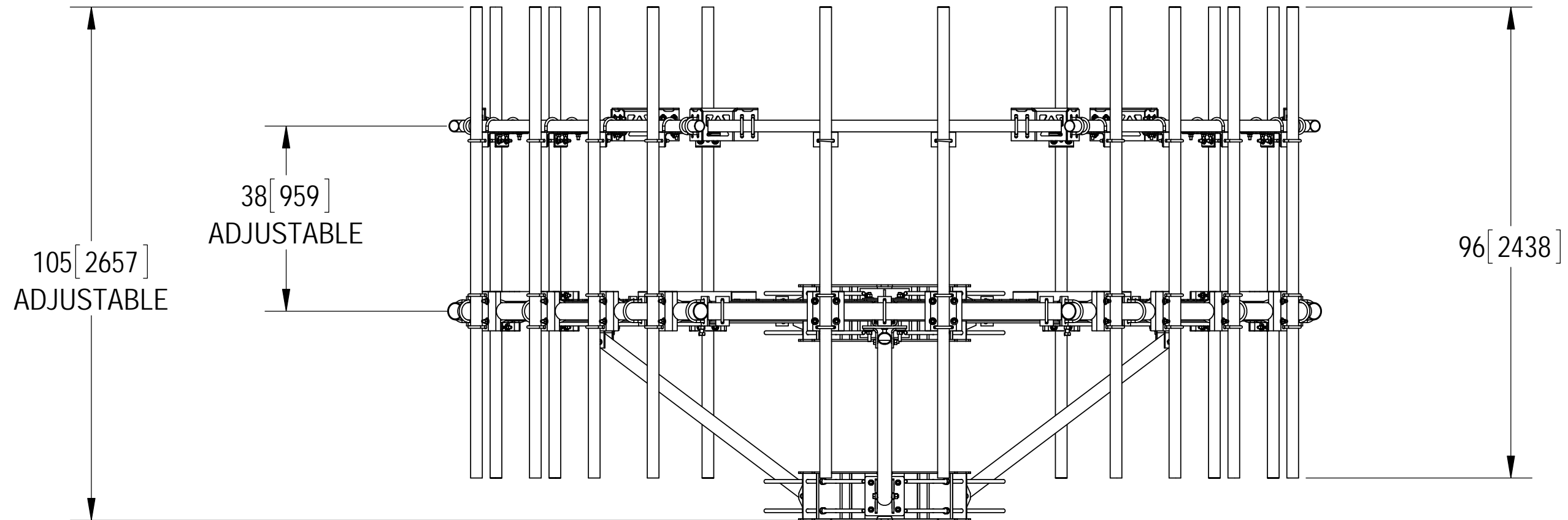
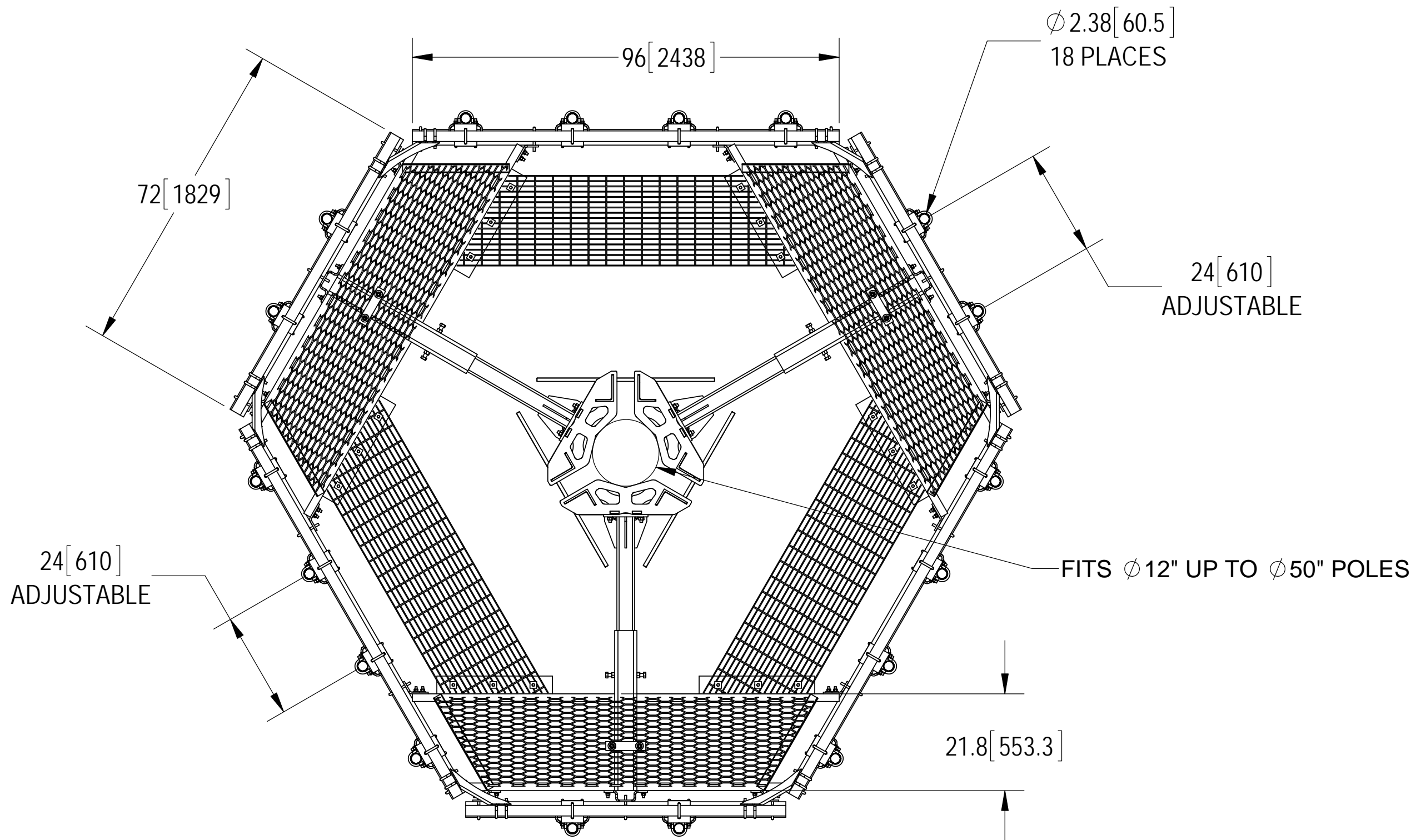
4

3

2

1

NOTES:



COMMSCOPE, INC. OF NORTH CAROLINA				
TITLE				
<b>PLATFORM, MONOPOLE - 6 SECTOR</b>				
SIZE	SCALE	DOCUMENT NO.		
<b>C</b>	<b>1:24</b>	<b>MTC3984</b>		
		DRAWING		SHEET
		VERSION	STATUS	REVISION
				<b>A</b>
				SHEET
				5 OF 5

© 2015 CommScope, Inc. Confidential

4

3

2

1