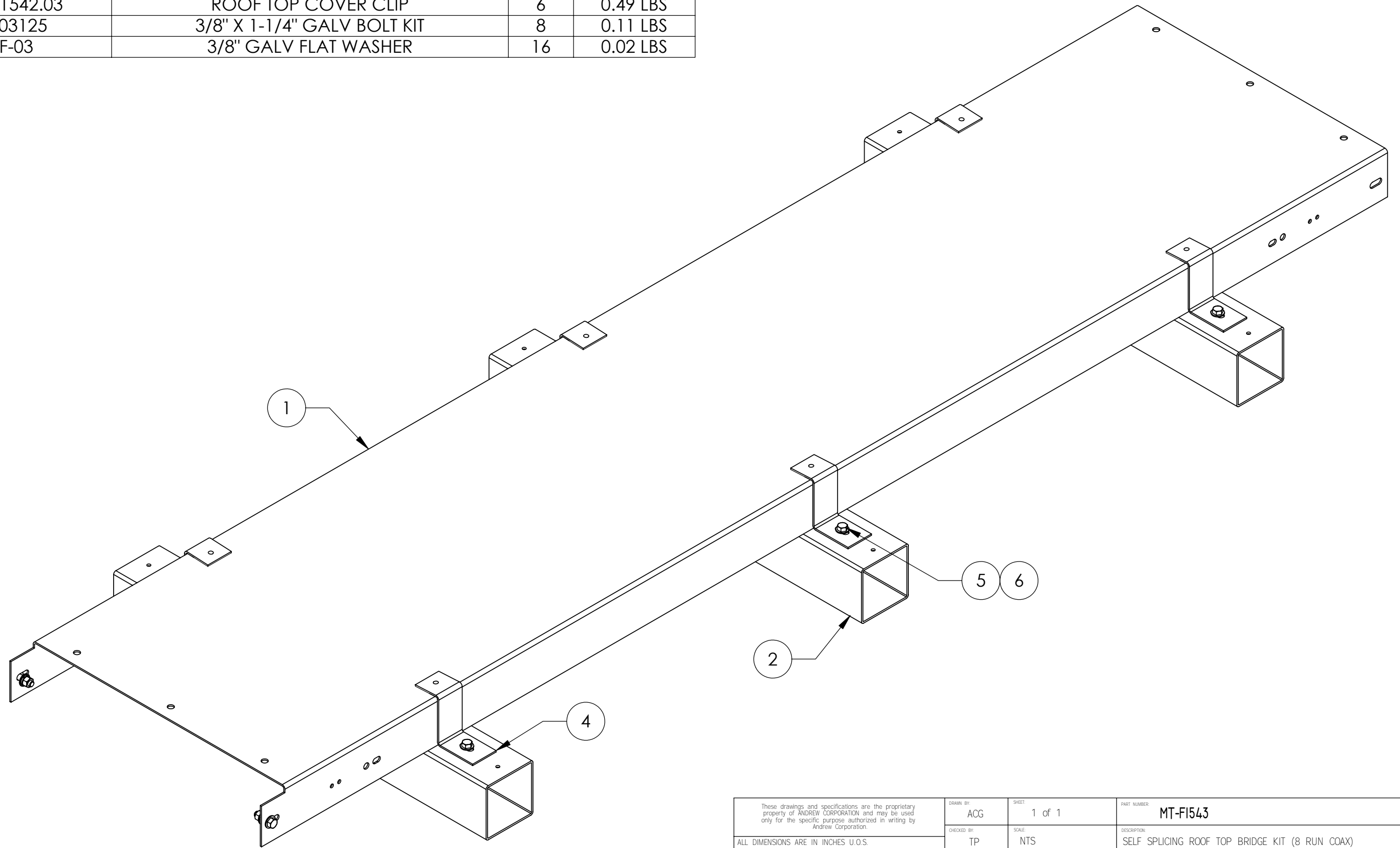



ITEM	PART NO.	DESCRIPTION	QTY.	WEIGHT
1	MTF1543.02	SELF SPLICING COAX COVER (8 RUN COAX)	1	77.89 LBS
2	MT-F1599	PVC ROOF SLEEPER FOR 8 RUNS OF COAX	3	5.30 LBS
3	MTF1542HK	HARDWARE KIT (ITEMS 4-6)	1	
4	MTF1542.03	ROOF TOP COVER CLIP	6	0.49 LBS
5	GB-03125	3/8" X 1-1/4" GALV BOLT KIT	8	0.11 LBS
6	GWF-03	3/8" GALV FLAT WASHER	16	0.02 LBS

REVISIONS				
REV.	ZONE	DESCRIPTION	BY	DATE
A		INITIAL RELEASE	JTS	04/27/01
B		UPDATE ROOFTOP COVER CLIP, COVER CHANGED TO SELF SPLICING, ADDED SPLICING FASTENERS	ACG	02/02/06
C		ADDED HOLE TO ITEM 4	ACG	03/06/06



NOTES:  
 1.  $\phi 5/16$ " HOLE INCLUDED IN ITEM 4 FOR OPTIONAL (NOT INCLUDED) 1/4" SELF- DRILLING SCREW.

These drawings and specifications are the proprietary property of ANDREW CORPORATION and may be used only for the specific purpose authorized in writing by Andrew Corporation.  ALL DIMENSIONS ARE IN INCHES U.O.S. TOLERANCES UNLESS OTHERWISE SPECIFIED: .X = $\pm .06$ ANGLES $\pm 2^\circ$ .XX = $\pm .03$ FRACTIONS $\pm 1/32$ .XXX = $\pm .010$  REMOVE BURRS AND BREAK EDGES .005  DO NOT SCALE THIS PRINT	DRAWN BY: <b>ACG</b>	SHEET: 1 of 1	PART NUMBER: <b>MT-F1543</b>
	CHECKED BY: <b>TP</b>	SCALE: NTS	DESCRIPTION: SELF SPLICING ROOF TOP BRIDGE KIT (8 RUN COAX)
	DATE: 02/02/06	MATERIAL: A568	DRAWING TYPE: ASSEMBLY DRAWING
	REVISION: <b>C</b>	FINISH: GALV A123	 ORLAND PARK, IL. 60462 U.S.A.
	WEIGHT: 97.53 LBS		