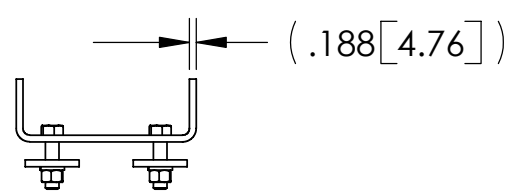
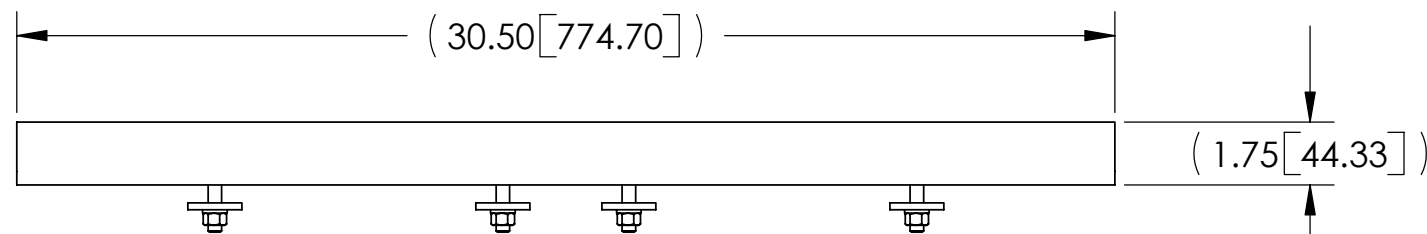
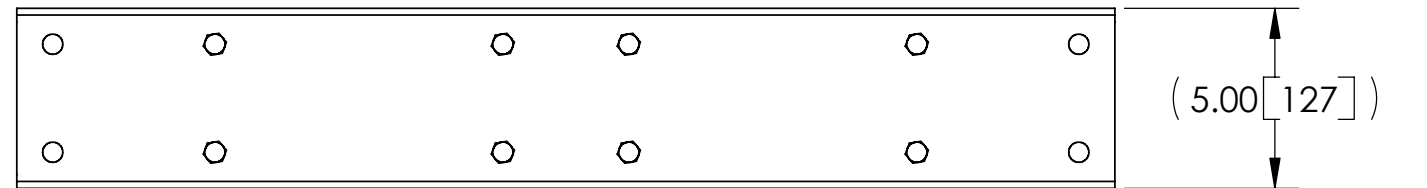
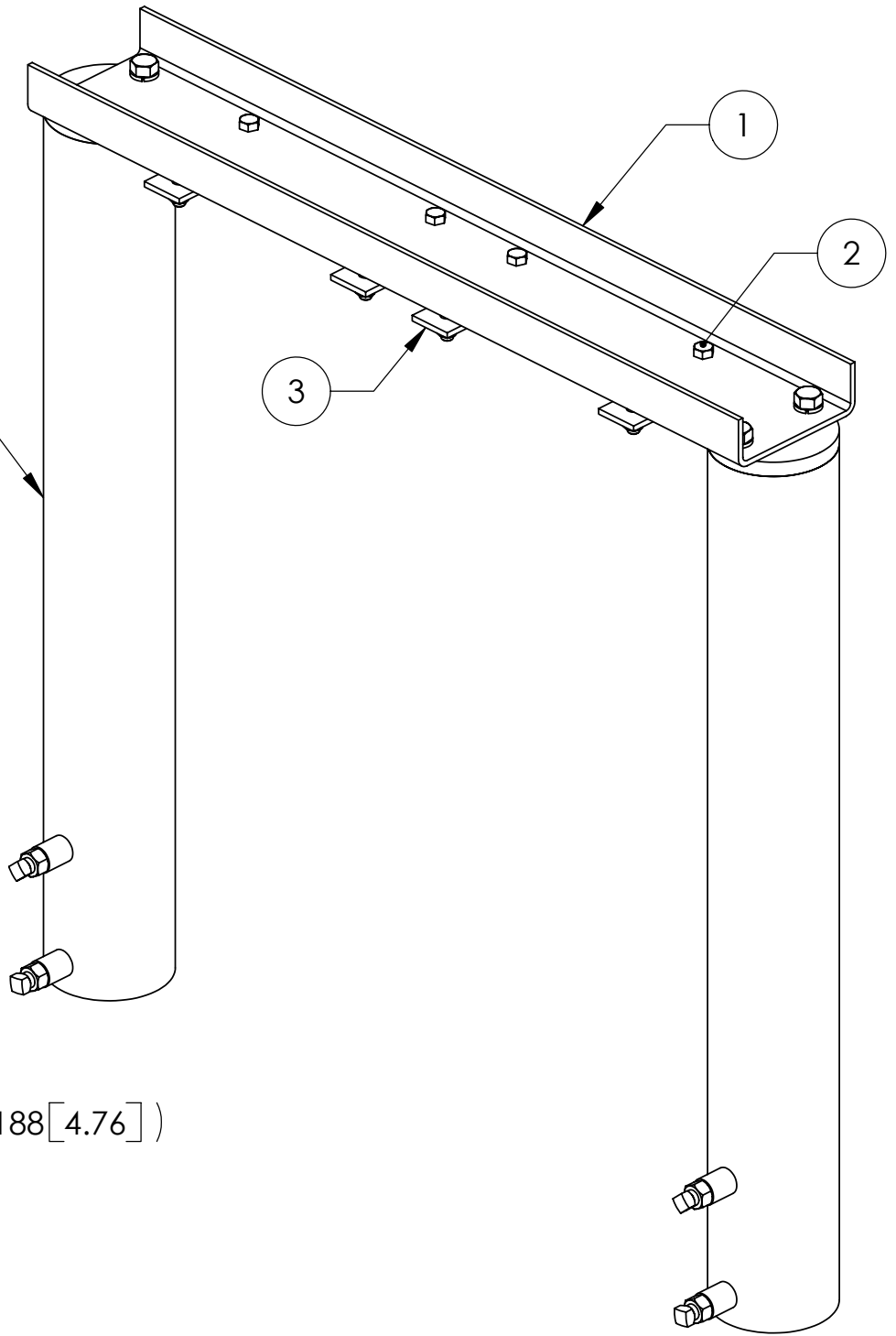


ITEM	PART NO.	DESCRIPTION	QTY.	WEIGHT
1	MT349.01	DOUBLE SUPPORT CHANNEL	1	12.63 LBS
2	GB-03145	3/8" X 1-1/2" GALV BOLT KIT	8	0.07 LBS
3	MT-387	SQUARE WASHER, 1 1/2" X 1 1/2" W/ 7/16" HOLE	8	0.11 LBS
4	MT-349-H	HARDWARE KIT (ITEMS 2-3)	1	

REVISIONS				
REV.	ZONE	DESCRIPTION	BY	DATE
C		UPDATE ITEM 1	ACG	01/12/05



MT-346 (2) NOT INCLUDED



NOTES:
1. ALL METRIC DIMENSIONS ARE IN BRACKETS.

<small>These drawings and specifications are the proprietary property of ANDREW CORPORATION and may be used only for the specific purpose authorized in writing by Andrew Corporation.</small> ALL DIMENSIONS ARE IN INCHES U.O.S. TOLERANCES UNLESS OTHERWISE SPECIFIED: .X = .06 ANGLES 2° .XX = .03 FRACTIONS 1/32 .XXX = .010 REMOVE BURRS AND BREAK EDGES .005 DO NOT SCALE THIS PRINT	DRAWN BY: ACG	SHEET: 1 of 1	PART NUMBER: MT-349
	CHECKED BY: TP	SCALE: NTS	DESCRIPTION: DOUBLE PIPE SUPPORT CHANNEL KIT
	DATE: 01/07/05	MATERIAL: A36	DRAWING TYPE: ASSEMBLY DRAWING
	REVISION: C	FINISH: GALV A123	WEIGHT: 14.27 LBS

