

4

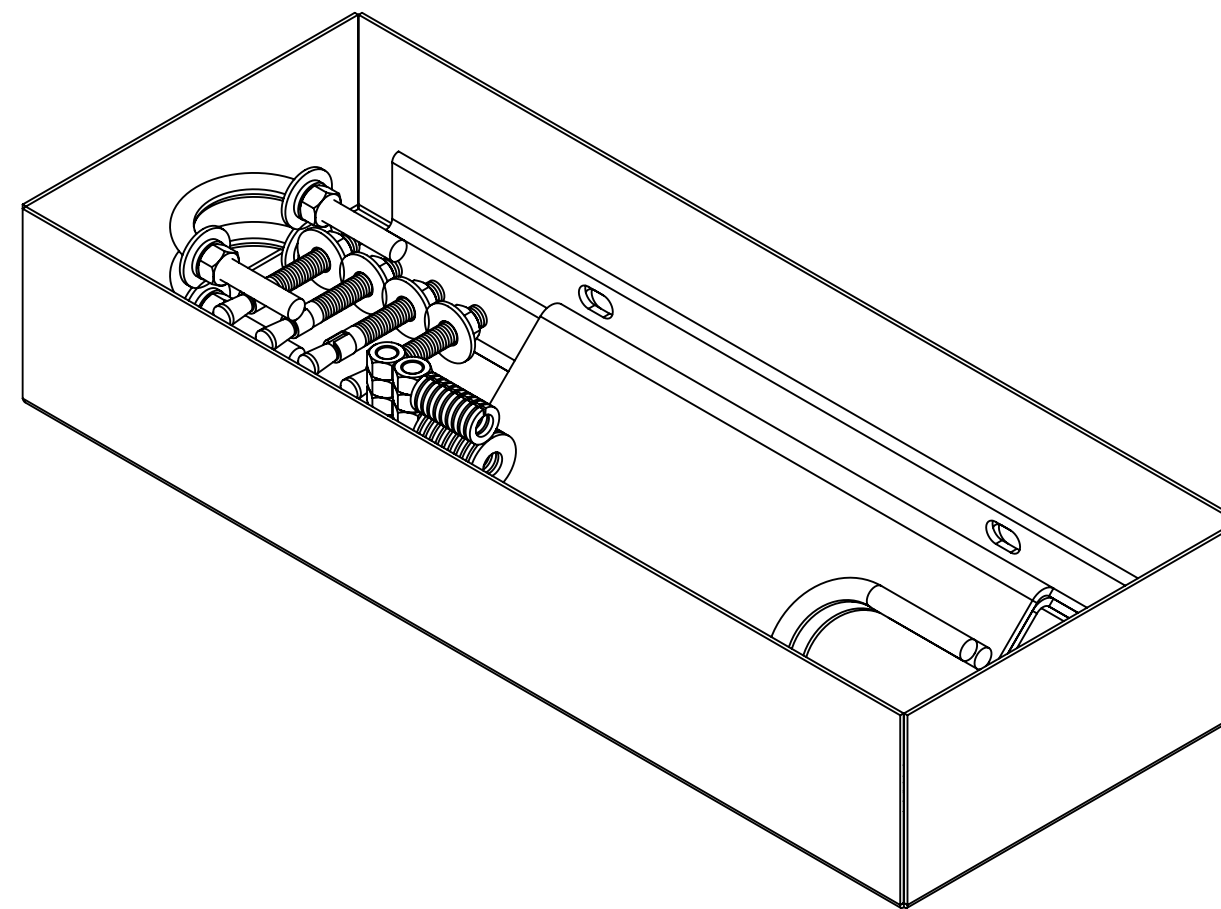
3

2

1

- 1.0 GENERAL NOTES
 - 1.1 ALL METRIC DIMENSIONS ARE IN BRACKETS [X. X]
 - 1.2 FOR PATENT INFO: <https://www.cs-pat.com>
- 2.0 DESIGN NOTES
- 3.0 MANUFACTURING/SPECIAL REQUIREMENTS
 - 3.1 TIGHTEN ALL BOLTS SECURING FLAT PLATES BY THE TURN-OF-NUT METHOD. TIGHTEN ALL U-BOLTS USING TURN-OF-NUT METHOD WITH ATTENTION TO LEAVE EQUAL DISTANCE AND EQUAL FORCE ON EACH LEG OF THE U-BOLT.
- 4.0 TEST
- 5.0 PACKAGING
 - 5.1 PACKAGING SHALL MEET COMMSCOPE REQUIREMENTS PER DOCUMENT IS-PL-3005
 - 5.2 PRINTED DOCUMENT TO BE PLACED INSIDE POLYBAG AND THEN IN SHIPPING CONTAINER
 - 5.3 EXTRA HARDWARE MAY BE SUPPLIED, BAGGED AND SHIPPED

REVISIONS			
REV.	DESCRIPTION	DATE	APPROVED
A	INITIAL RELEASE	DI 20JAN05	TP
B	CHG BOM, ADDED PACKING	CEB 03MAR16	TP 8000012888
C	REDRAWN IN SOLIDWORKS	YC1059 08AUG24	YC1015 40201892CMO



PACKAGE

COMMSCOPE, INC. OF NORTH CAROLINA										
TOLERANCES					SAP MATERIAL MASTER					
0 PLACE		X[X] ± .25[6.3]	2 PLACE		.XX[X] ± .03[0.8]	MT-250L				
1 PLACE		.X[X] ± .06[1.5]	ANGLES		± 2°					
FINISH					MATERIAL					
			CANTILEVER WALL MNT BRACKET, 5 1/2" STDF							
			SCALE		DOCUMENT NO.					
			1:10		MT-250L					
			ECN 40201892CMO							
SIZE		Auth Group	INSL	MODEL			DRAWING			SHEET
C				VERSION	STATUS	REVISION	VERSION	STATUS	REVISION	1 OF 2
				00	RE	B	00	RE	C	

DENSITY		lbs/in ³
MASS	32.36	lbs
VOLUME	174.24	in ³
SURFACE AREA	2495.34	in ²
HEIGHT	10.00"	
LENGTH	25.88"	
WIDTH	5.00"	

4

3

2

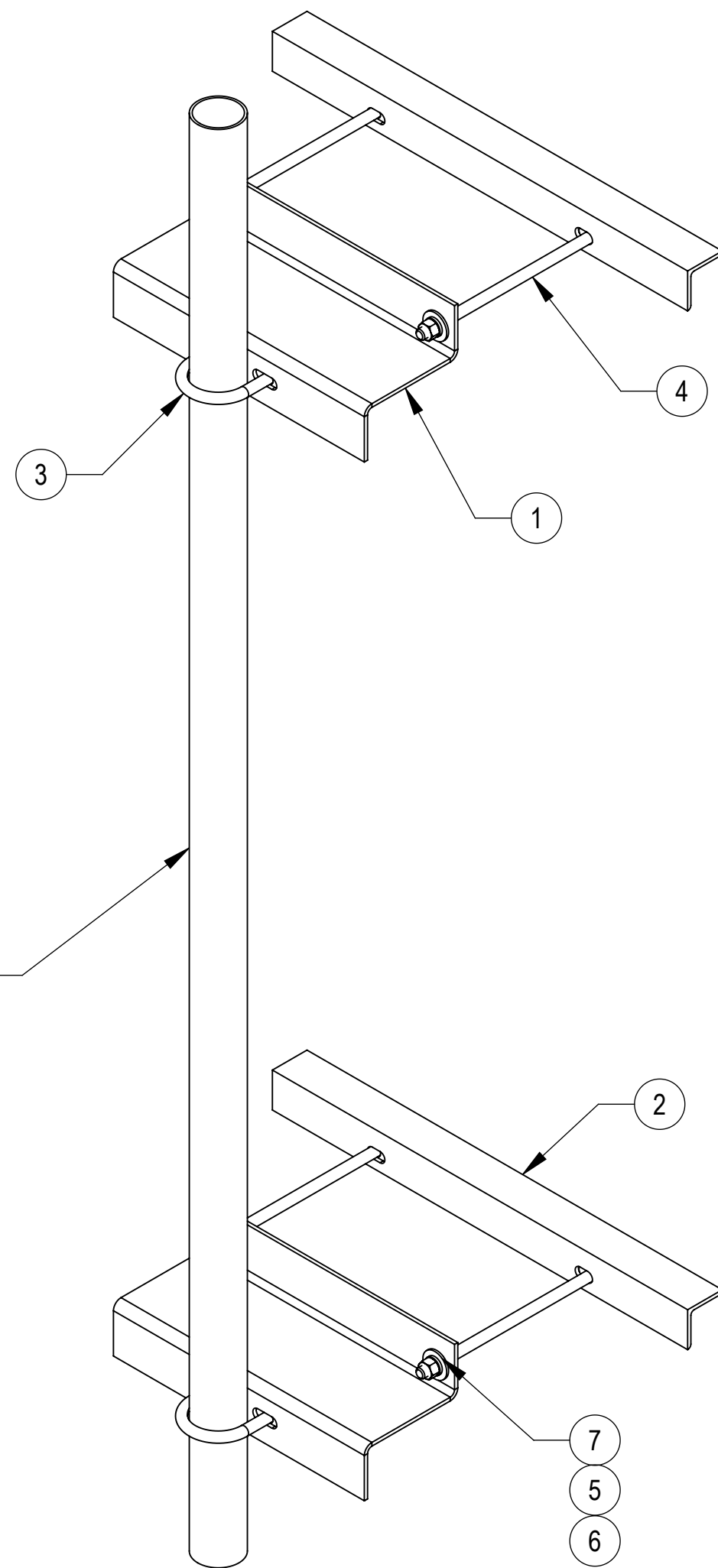
1

4

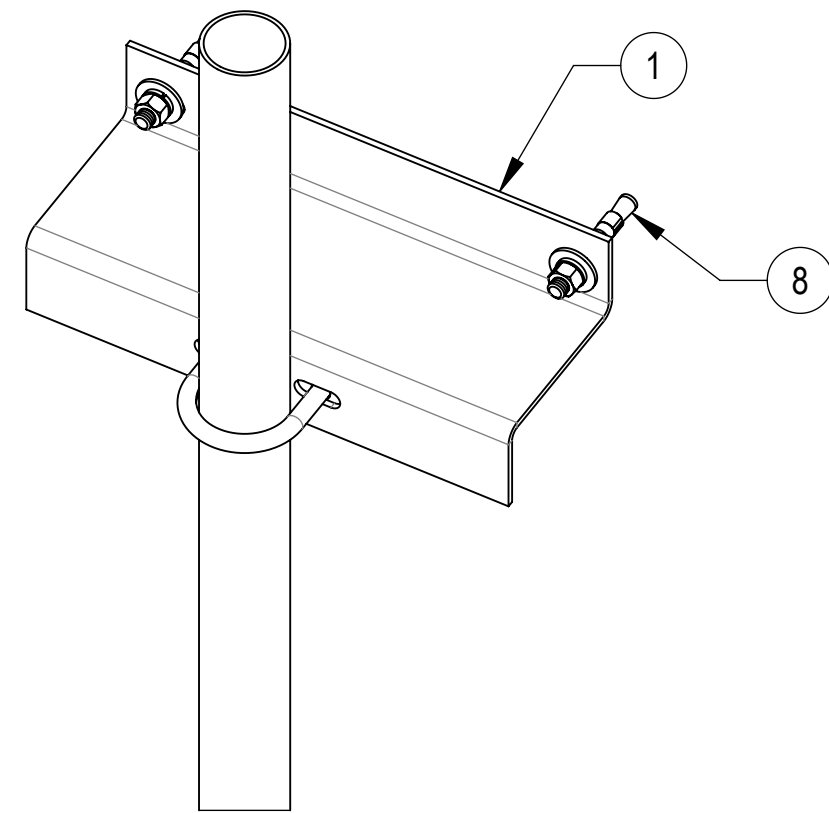
3

2

1



2-3/8" OD SCH 40 PIPE
(SOLD SEPARATLY)



MT-250L WITH EXPANSION
BOLT APPLICATION

COMPONENT PART NUMBERS PROVIDED FOR ASSEMBLY PURPOSES;
INDIVIDUAL COMPONENTS MAY BE SHIPPED AS PARTS WITHIN AN INCLUDED KIT.

ITEM	PART NUMBER	DESCRIPTION	QTY.	WEIGHT	NOTE NO.
1	MTC6674L02	Z-BRACKET 5-3/8" STANDOFF	2	7.64 LBS	
2	MTC667401	CANTILEVER SLOTTED HOLE BACKING PLATE	2	0.00 LBS	
3	GUB-4240	1/2" X 2-1/2" X 4" GALV U-BOLT	2	0.56 LBS	
4	MT-379	1/2" X 12" GALV THREADED ROD	4	0.66 LBS	
5	GWL-04	1/2" GALV LOCK WASHER	8	0.01 LBS	
6	GN-04	1/2" GALV HEX NUT	8	0.04 LBS	
7	GWF-04	1/2" GALV FLAT WASHER	8	0.04 LBS	
8	MT-271	1/2" X 3-3/4" WEDGE ANCHOR KIT	2	0.18 LBS	

COMMSCOPE, INC. OF NORTH CAROLINA				
TITLE CANTILEVER WALL MNT BRACKET, 5 1/2" STDF				
SIZE C	SCALE 1:10	DOCUMENT NO. MT-250L		
		DRAWING		SHEET 2 OF 2
		VERSION 00	STATUS RE	

4

3

2

1