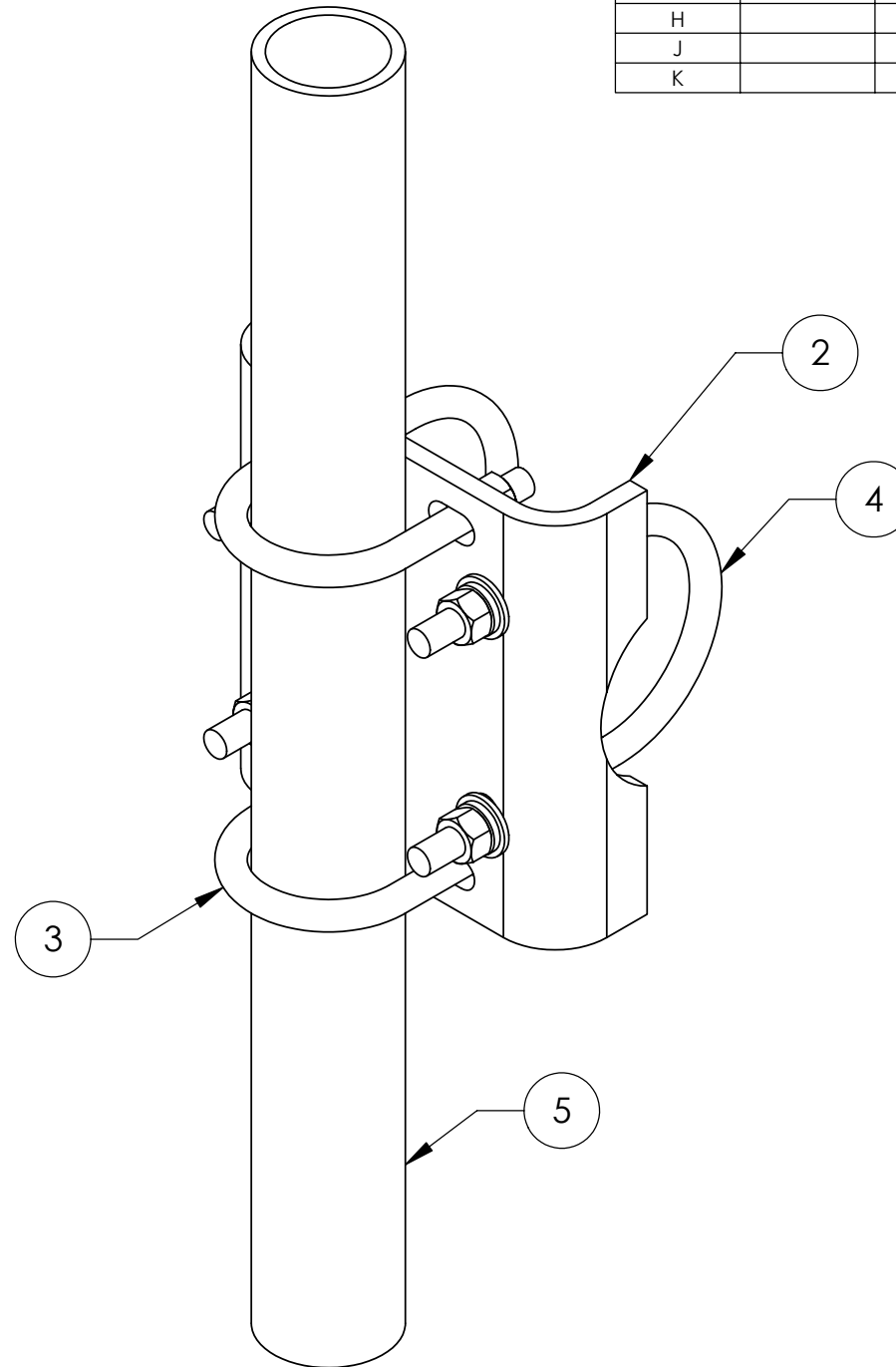



ITEM	PART NO.	DESCRIPTION	QTY.	WEIGHT
1	MT-219-H	HARDWARE KIT (Next 3 Items)	1	
2	MT217.01	PIPE MOUNT PLATE	1	7.53 LBS
3	GUB-4240	1/2" X 2-1/2" X 4" GALV U-BOLT KIT	2	0.57 LBS
4	GUB-4356	1/2" X 3-5/8" X 6" GALV U-BOLT KIT	2	0.83 LBS
5	MT-XXX	Ø2.375" OD PIPE (SEE TABLE)	1	

REVISIONS				
REV.	ZONE	DESCRIPTION	BY	DATE
A		INITIAL RELEASE		09/05/97
B		CHANGED BORDER & ADDED MT-219-H NOTE	JTS	09/22/00
C		ADDED A PIPE TO CHART	JTS	11/02/00
D		ADDED A PIPE NUMBER TO CHART	MFS	02/07/01
E		REVISED & REDRAWN	JTS	05/23/01
F		CORRECTED BOM	MA	05/30/01
G		CORRECTED BOM	MA	06/01/01
H		UPDATE MT-220-120 PIPE LENGTH ON TABLE	LAP	07/06/01
J		UPDATE ITEM 4	ACG	08/28/03
K		UPDATE TABLE NOTES	ACG	11/14/06



CATALOG #	PIPE LENGTH	PIPE #	WEIGHT
MT-217	2.375" x 24" PLAIN END PIPE	MT-648	18.11 LBS
MT-218	2.375" x 36" PLAIN END PIPE	MT-649	21.70 LBS
MT-219	2.375" x 48" PLAIN END PIPE	MT-650	25.28 LBS
MT-219-63	2.375" x 63" PLAIN END PIPE	MT-650-63	29.77 LBS
MT-219-72	2.375" x 72" PLAIN END PIPE	MT-651	32.46 LBS
MT-219-84	2.375" x 84" PLAIN END PIPE	MT-651-84	36.05 LBS
MT-220	2.375" x 96" PLAIN END PIPE	MT-651-96	39.64 LBS
MT-220-108	2.375" x 108" PLAIN END PIPE	MT-651-108	43.23 LBS
MT-220-120	2.375" x 126" PLAIN END PIPE	MT-537	48.61 LBS

<small>These drawings and specifications are the proprietary property of ANDREW CORPORATION and may be used only for the specific purpose authorized in writing by Andrew Corporation.</small> <small>ALL DIMENSIONS ARE IN INCHES U.O.S.</small> <small>TOLERANCES UNLESS OTHERWISE SPECIFIED:</small> .X = ± .06 ANGLES ± 2' .XX = ± .03 FRACTIONS ± 1/32 .XXX = ± .010 <small>REMOVE BURRS AND BREAK EDGES .005</small> DO NOT SCALE THIS PRINT	<small>DRAWN BY:</small> ACG	<small>SHEET:</small> 1 of 1	<small>PART NUMBER:</small> MT-217 TO MT-220
	<small>CHECKED BY:</small> TP	<small>SCALE:</small> NTS	<small>DESCRIPTION:</small> PIPE MOUNT ASSEMBLY
	<small>DATE:</small> 11/14/06	<small>MATERIAL:</small> A36, A53	<small>DRAWING TYPE:</small> ASSEMBLY DRAWING
	<small>REVISION:</small> K	<small>FINISH:</small> GALV A123	 ORLAND PARK, IL. 60462 U.S.A.
	<small>WEIGHT:</small> SEE TABLE		