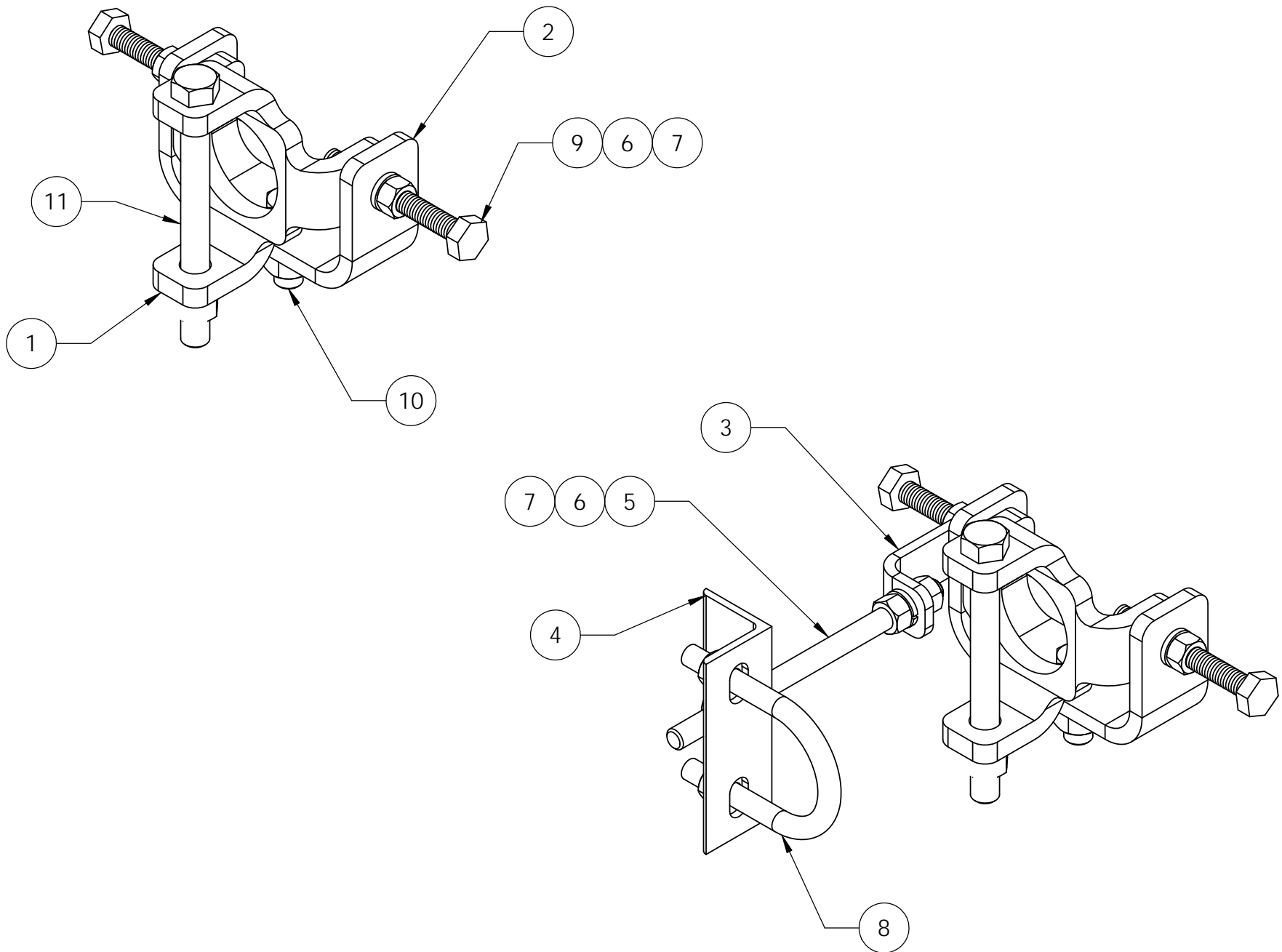


ITEM	PART NO.	DESCRIPTION	QTY.	WEIGHT
1	DMHD46.28	Stiff Arm Pivot Bracket	2	2.57 LBS
2	DMHD46.29	Stiff Arm Mounting Bracket	2	2.29 LBS
3	DMHD46.30	Stiff Arm Adjustment Bracket	1	0.39 LBS
4	DMHD46.31	Stiff Arm Adjustment Angle	1	0.93 LBS
5	MT-379-8	1/2" X 8" GALV THREADED ROD	1	0.44 LBS
6	GWL-04	1/2" GALV LOCK WASHER	8	0.01 LBS
7	GN-04	1/2" GALV HEX NUT	8	0.04 LBS
8	GUB-4240	1/2" X 2-1/2" X 4" GALV U-BOLT	1	0.72 LBS
9	1204FTB	1/2" x 4" FULL THREAD GALV. BOLT	4	0.23 LBS
10	GB05165	5/8" X 1-3/4" GALV BOLT KIT	2	0.04 LBS
11	GB-05645	5/8" X 6-1/2" GALV BOLT KIT	2	0.04 LBS

REVISIONS				
REV.	ZONE	DESCRIPTION	BY	DATE
A		INITIAL RELEASE	MSM	12/17/09



NOTES:
 1. ALL METRIC DIMENSIONS ARE IN BRACKETS.

These drawings and specifications are the proprietary property of ANDREW CORPORATION and may be used only for the specific purpose authorized in writing by Andrew Corporation. ALL DIMENSIONS ARE IN INCHES U.O.S. TOLERANCES UNLESS OTHERWISE SPECIFIED: .X = ± .12 ANGLES ±2° .XX = ± .06 FRACTIONS ±1/32 .XXX = ± .03 REMOVE BURRS AND BREAK EDGES .005 DO NOT SCALE THIS PRINT	DRAWN BY: MSM	SHEET: 1 of 1	PART NUMBER: MD-AK-2
	CHECKED BY: TP	SCALE: NTS	DESCRIPTION: Microwave Dish Strut Adj Brkt, 2-3/8" OD Pipe
	DATE: 12/17/09	MATERIAL: A36	DRAWING TYPE: ASSEMBLY DRAWING
	REVISION: A	FINISH: GALV A123	WEIGHT: 15.84 LBS