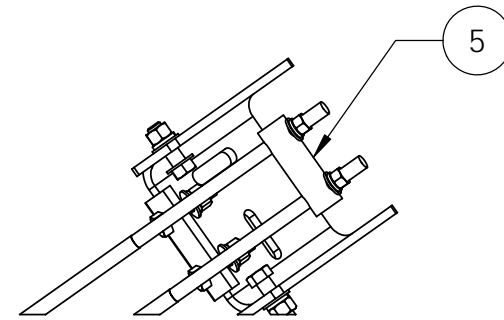
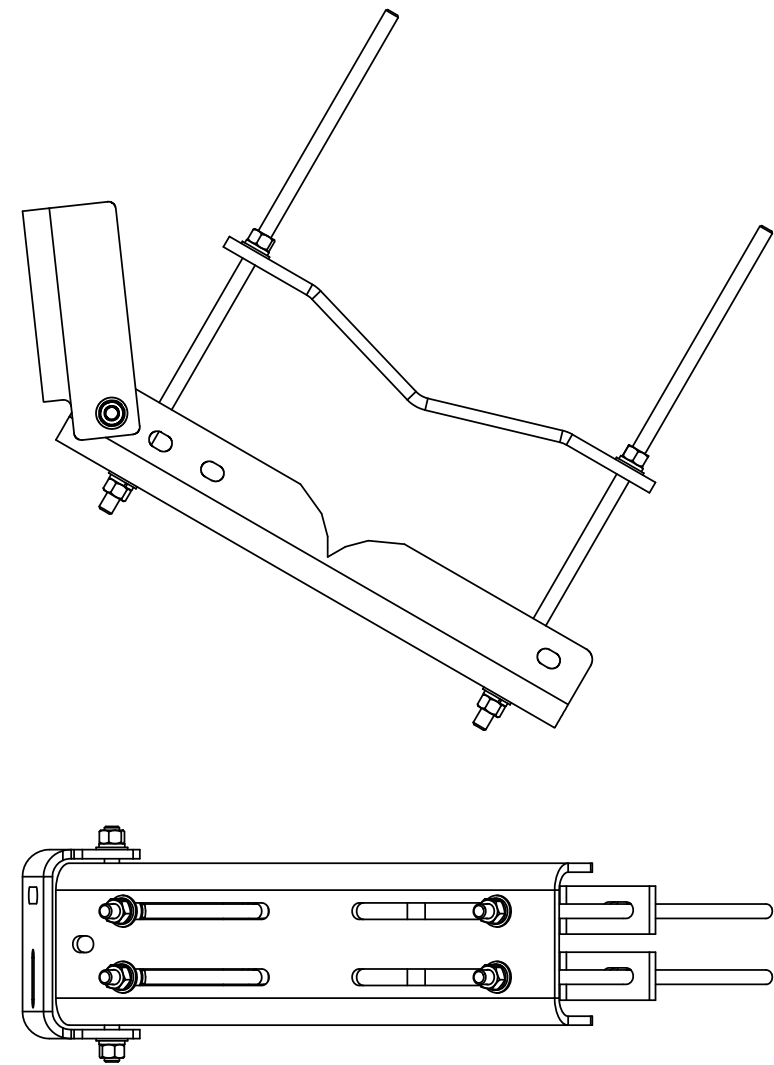
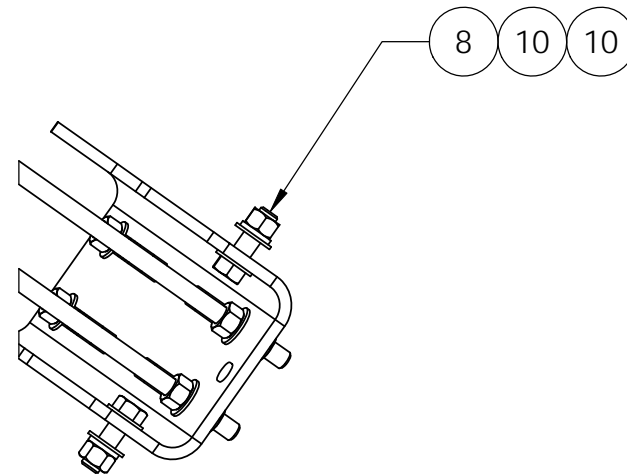
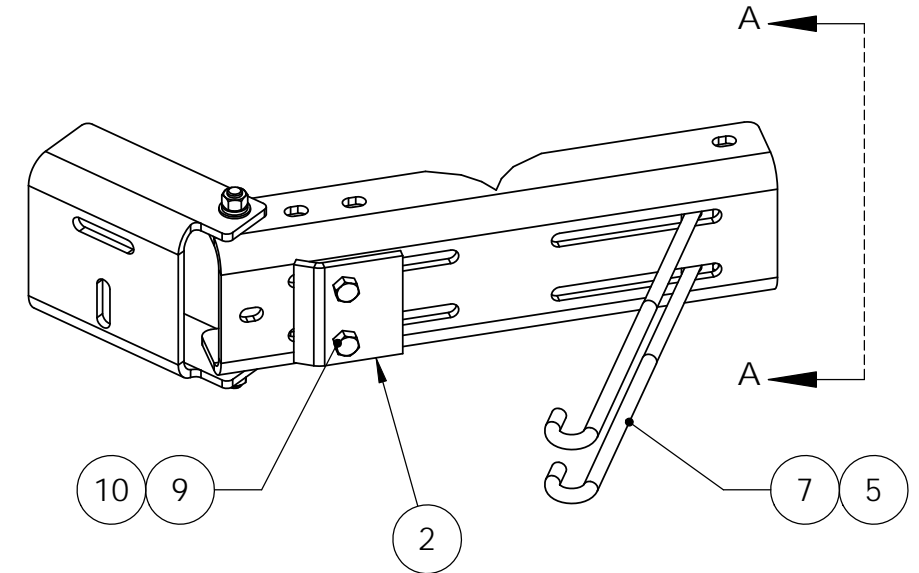


ITEM	PART NO.	DESCRIPTION	QTY.	WEIGHT
1	MDLCS01	Large Universal Leg Channel	1	27.48 LBS
2	MDCS02	Clamp Plate	1	2.35 LBS
3	MTC9872.02	CHANNEL PIVOT BRACKET	1	12.43 LBS
4	MDLCS02	MDLCS Half Clamp 6" - 12" 90deg	2	5.71 LBS
5	MDLCS04	Clamp Tube	1	0.46 LBS
6	MT-382-24	5/8" X 24" THREADED ROD	4	1.93 LBS
7	MDLCS10	5/8-16 x 20" Galv J-Bolt	2	1.93 LBS
8	GB-05205	5/8" X 2" GALV BOLT KIT	2	0.39 LBS
9	GB-05245	5/8" X 2-1/2" GALV BOLT KIT	2	0.39 LBS
10	GWF-05	5/8" GALV FLAT WASHER	16	0.00 LBS
11	GWL-05	5/8" GALV LOCK WASHER	8	0.03 LBS
12	GN-05	5/8" GALV HEX NUT	12	0.08 LBS

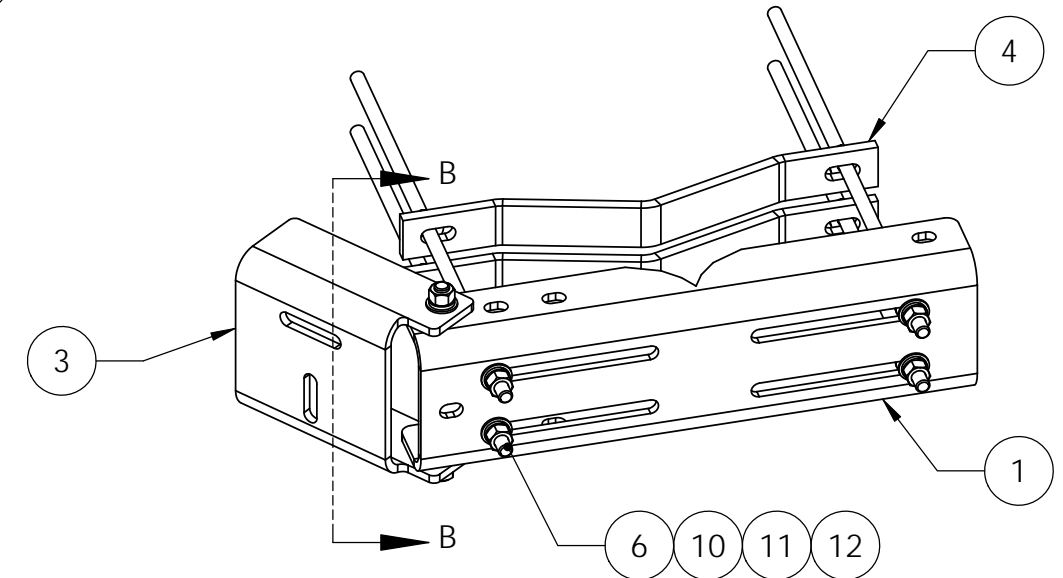
REVISIONS				
REV.	ZONE	DESCRIPTION	BY	DATE
A		INITIAL RELEASE	OGG	06/30/10



SECTION A-A
ITEM: No 1 REMOVED



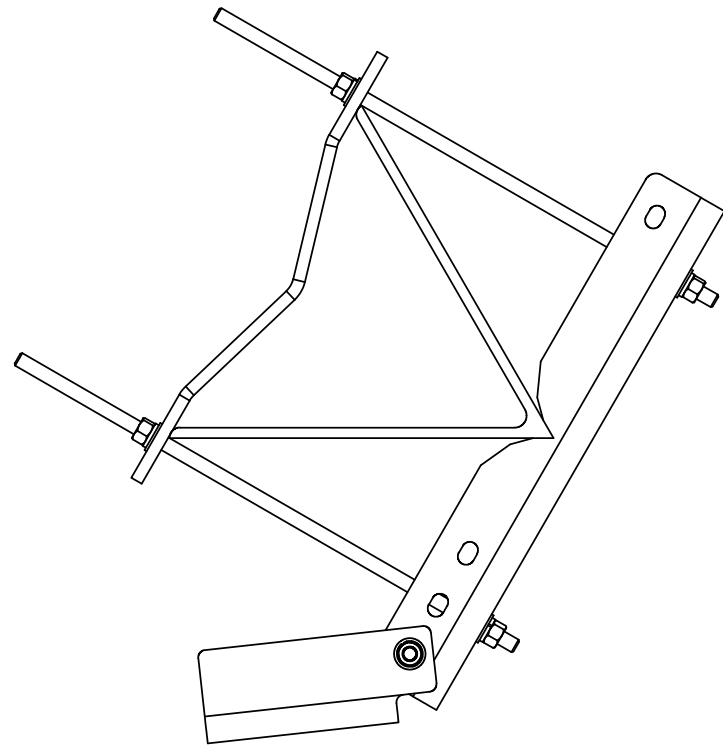
SECTION B-B
SCALE 1 : 6
ITEM: No 3 REMOVED



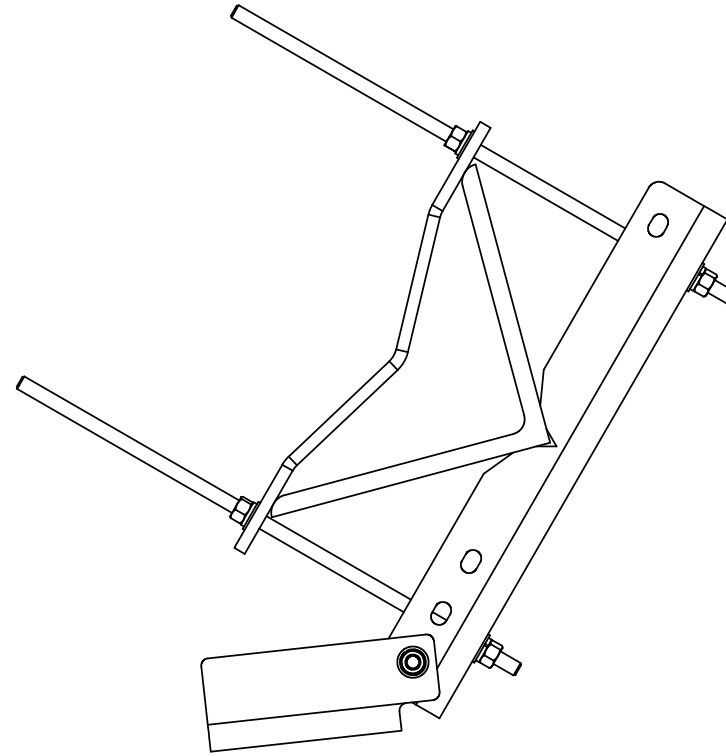
- NOTES:
1. ALL METRIC DIMENSIONS ARE IN BRACKETS.
 2. FITS 90° 6" TO 12" ANGLE, 60° 8" TO 16" ANGLE, 8" TO 16" OD LEGS

<small>These drawings and specifications are the proprietary property of ANDREW CORPORATION and may be used only for the specific purpose authorized in writing by Andrew Corporation.</small> ALL DIMENSIONS ARE IN INCHES U.O.S. TOLERANCES UNLESS OTHERWISE SPECIFIED: .X = ± .12 ANGLES ±2° .XX = ± .06 FRACTIONS ±1/32 .XXX = ± .03 REMOVE BURRS AND BREAK EDGES .005 DO NOT SCALE THIS PRINT	DRAWN BY: MSM	SHEET: 1 of 2	PART NUMBER: MDL-CS
	CHECKED BY: TP	SCALE: NTS	DESCRIPTION: Large Microwave Dish Channel Support
	DATE: 05/02/10	MATERIAL: A36	DRAWING TYPE: ASSEMBLY DRAWING
	REVISION: A	FINISH: GALV A123	WEIGHT: 61.43 LBS

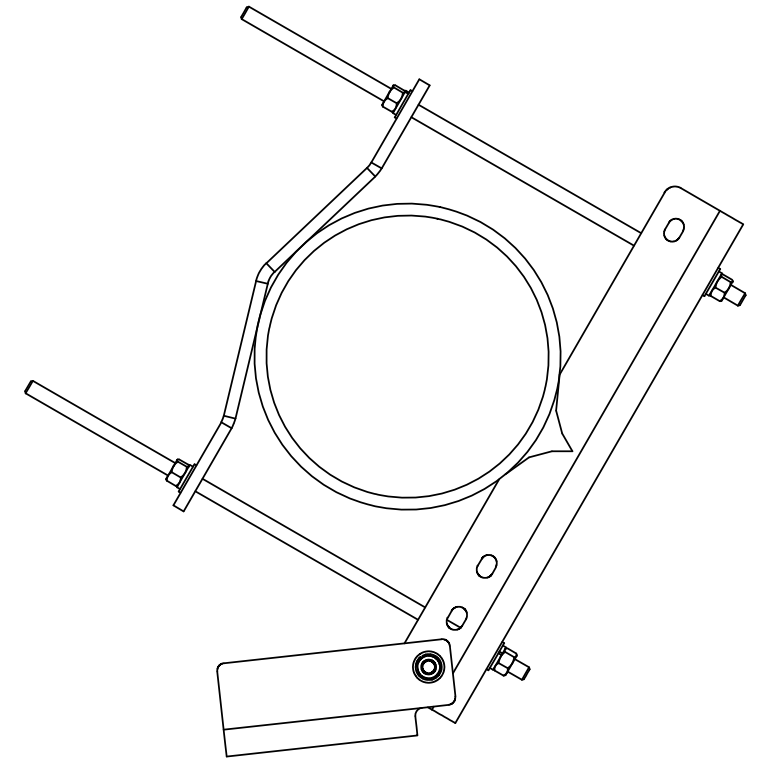
OPTIONAL MOUNTING



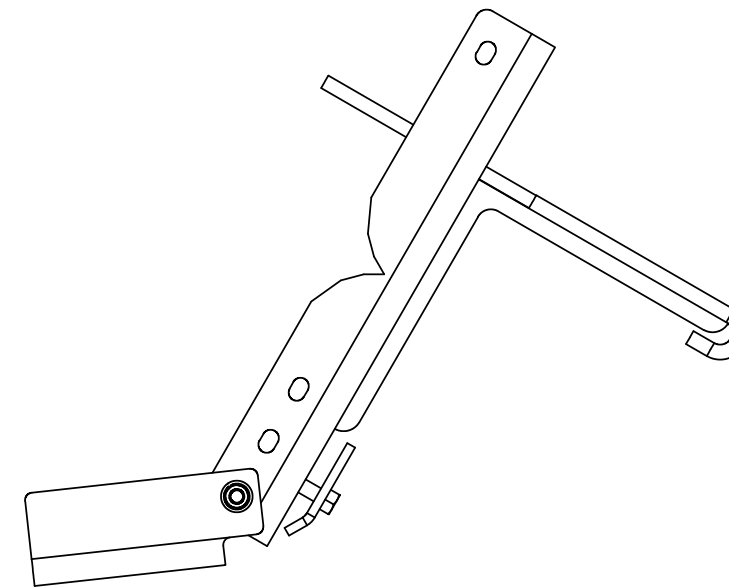
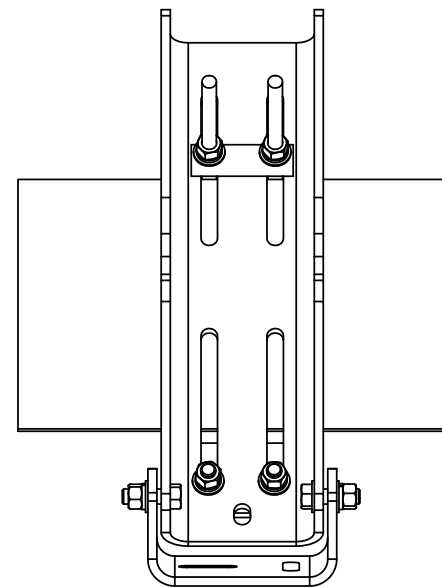
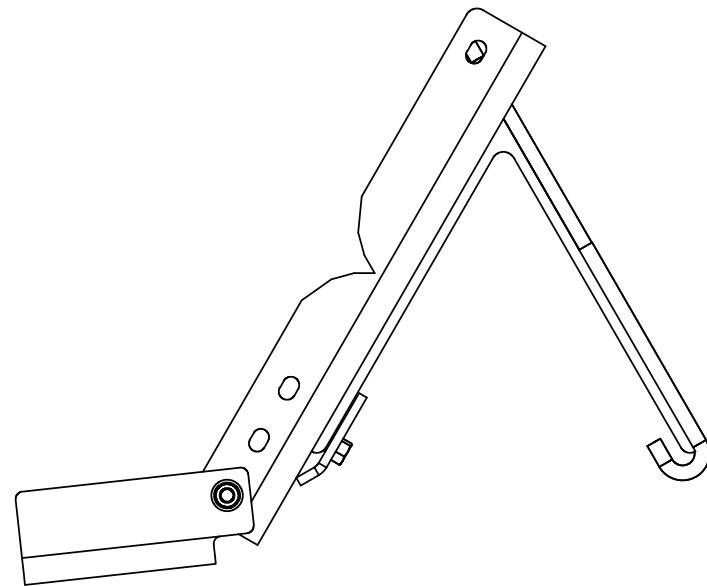
60° TOWER LEG



90° TOWER LEG



ROUND TOWER LEG



<p>These drawings and specifications are the proprietary property of ANDREW CORPORATION and may be used only for the specific purpose authorized in writing by Andrew Corporation.</p> <p>ALL DIMENSIONS ARE IN INCHES U.O.S. TOLERANCES UNLESS OTHERWISE SPECIFIED:</p> <p>.X = ± .12 ANGLES ±2° .XX = ± .06 FRACTIONS ±1/32 .XXX = ± .03</p> <p>REMOVE BURRS AND BREAK EDGES .005</p> <p>DO NOT SCALE THIS PRINT</p>	<p>DRAWN BY: MSM</p>	<p>SHEET: 2 of 2</p>	<p>PART NUMBER: MDL-CS</p>
	<p>CHECKED BY: TP</p>	<p>SCALE: NTS</p>	<p>DESCRIPTION: Large Microwave Dish Channel Support</p>
	<p>DATE: 05/02/10</p>	<p>MATERIAL: A36</p>	<p>DRAWING TYPE: ASSEMBLY DRAWING</p>
	<p>REVISION: A</p>	<p>FINISH: GALV A123</p>	<p>WEIGHT: 69.42 LBS</p>

