

NOTES:

- 1.0 GENERAL
  - 1.1 ALL METRIC DIMENSIONS ARE IN BRACKETS
  - 1.2 FOR PATENTS, SEE WWW.CS-PAT.COM
- 2.0 DESIGN NOTES
- 3.0 MANUFACTURING/SPECIAL REQUIRMENTS
- 4.0 TEST
- 5.0 PACKAGING

REVISIONS				
REV.	ECN	DESCRIPTION	BY	DATE
A	8000029994	INITIAL RELEASE	RDLS	06/11/18
B	8000030554	CHANGED ANTENNA PIPE LENGTH	RJC	07/20/18
C	8000031200	UDTD TO SHOW CLARIFICATION & RMV GB-04545	RJC	09/05/18
D	8000035168	UPDATED MCPM106	ES	5/21/2019

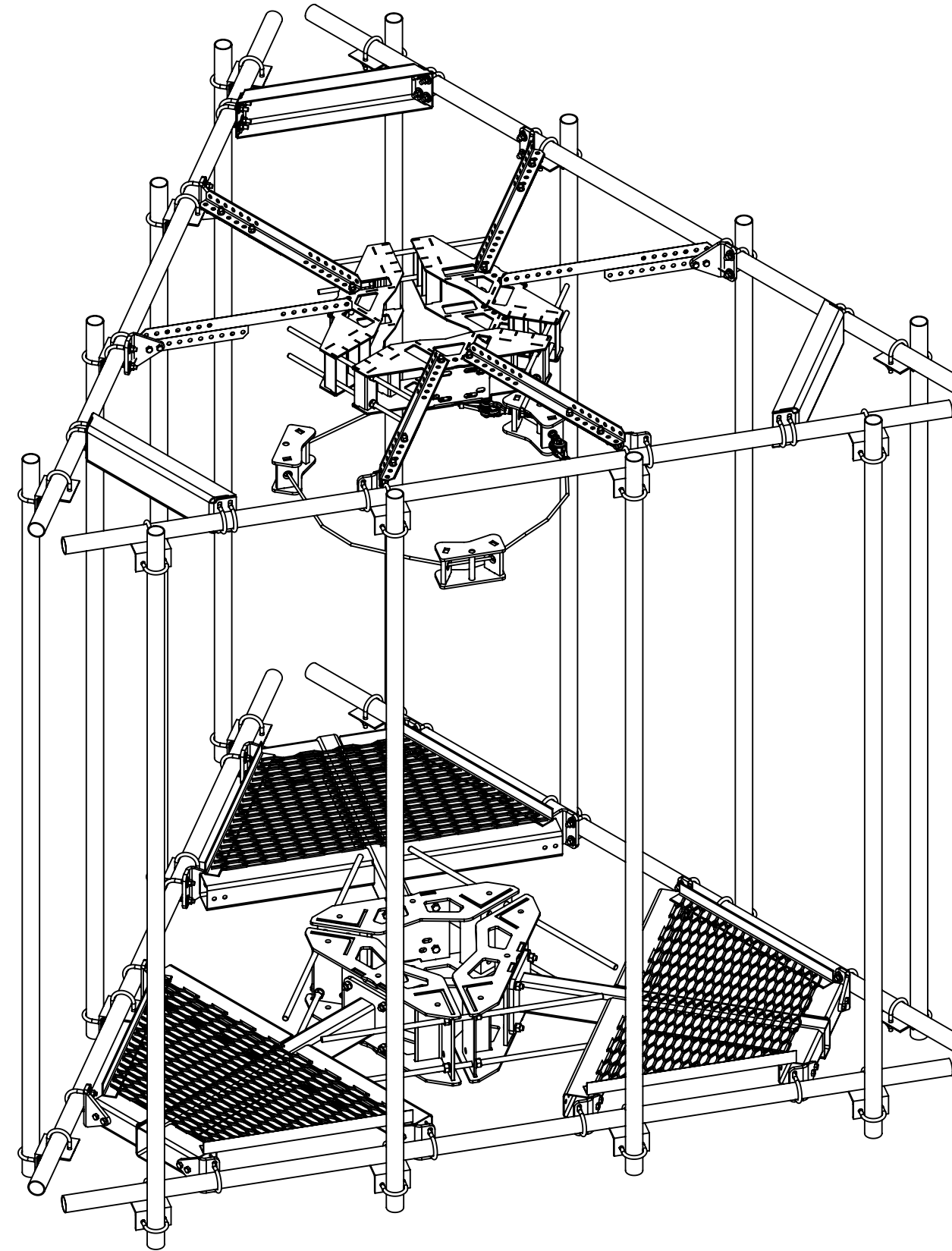


TABLE 1

PART NO.	DESCRIPTION	HARDWARE KIT	PIPE BUNDLE	FACE PIPE	STEEL BUNDLE	WEIGHT (LBS)	ANTENNA PIPE (ORDER SEPARATELY)
MC-CGA10M-B	HEAVY-5 CAGE MT, 10' FACE, NO ANT PIPE	MCCGAHK	PB0610A	MT-537	MCPM10SB	1166	MT-651-120
MC-CGA12M-B	HEAVY-5 CAGE MT, 12' FACE, NO ANT PIPE	MCCGAHK	PB0612A	MT-651-150	MCPM12SB	1309	MT-651-120
MC-CGB10M-B	HEAVY-10 CAGE MT, 10' FACE, NO ANT PIPE	MCCGBHK	PB0610B	MT546126120	MCPM10SB	1260	MT-651-120
MC-CGB12M-B	HEAVY-10 CAGE MT, 12' FACE, NO ANT PIPE	MCCGBHK	PB0612B	MT546150120	MCPM12SB	1447	MT-651-120
MC-CGC12M-B	HEAVY-WLL CAGE MT, 12' FACE, NO ANT PIPE	MCCGCHK	PB0612B	MT546150120	MCPM12SB	1447	MT546120120

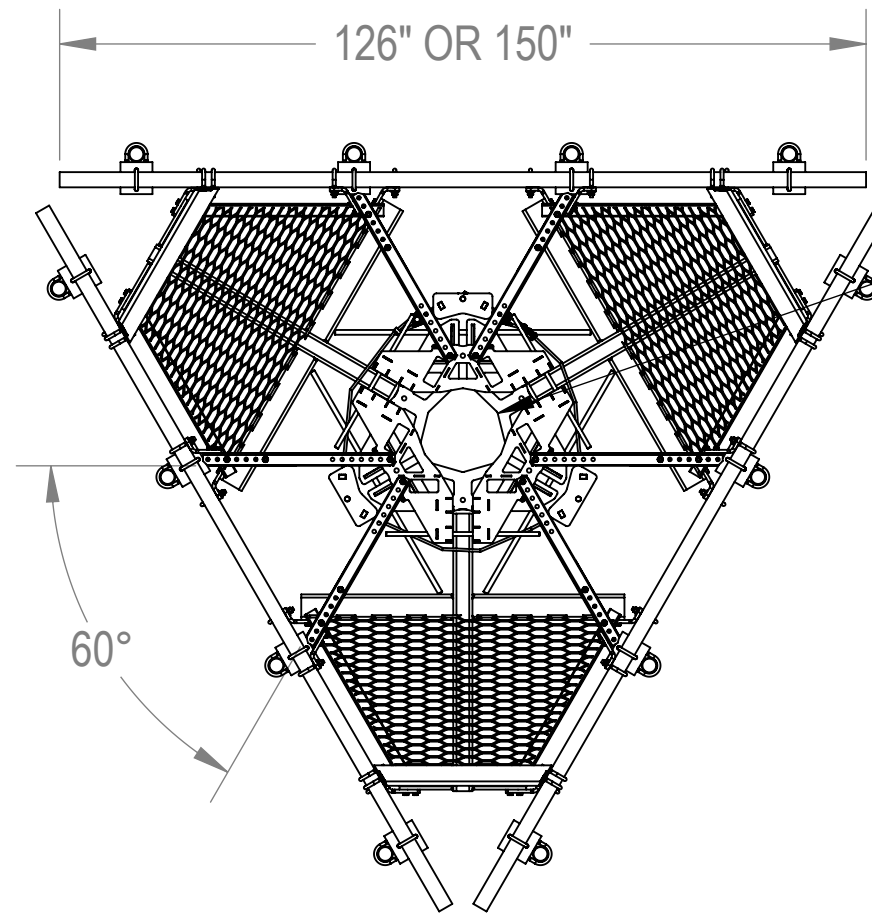
ALL MODELS INCLUDE 1 EACH OF MC-RM1550-3 AND MC-RR1050-3 RINGMOUNTS

DENSITY	0.03	lbs/in <sup>3</sup>
MASS	1508.03	lbs
VOLUME	46316.79	in <sup>3</sup>
SURFACE AREA		in <sup>2</sup>
HEIGHT		
LENGTH		
WIDTH		

**COMMSCOPE, INC. OF NORTH CAROLINA**

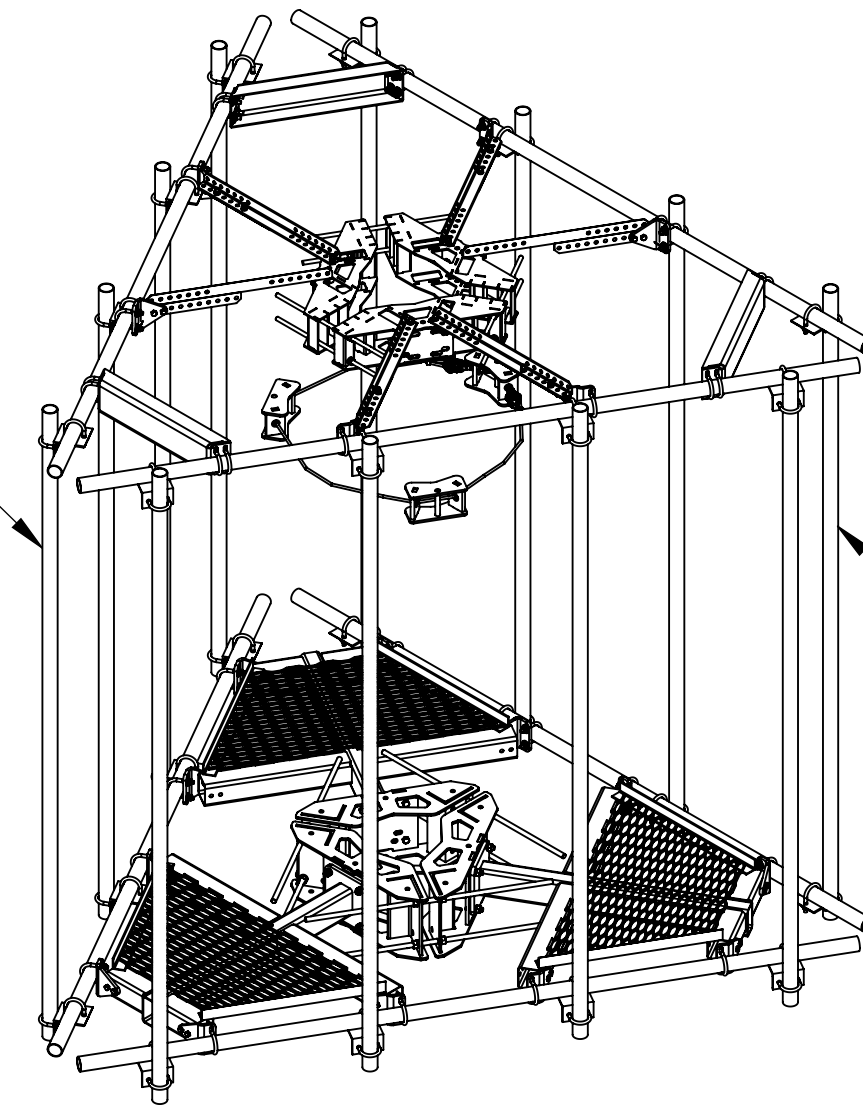
TOLERANCES		SAP MATERIAL MASTER					
1 PLACE .X ± 0.25	3 PLACE .XXX ± 0.06	<b>SEE TABLE</b>					
2 PLACE .XX ± 0.12	ANGLES ± 1°						
FINISH GALV A123		MATERIAL A500, A529, A572, A1011/A1018					
<small>UNLESS OTHERWISE SPECIFIED DIMENSIONS ARE IN INCHES INTERPRET PER ANSI Y 14.5M-1994</small>		NAME	DATE				
		CE RDLS	09/12/17				
		RW EST081	06/05/2019				
		RV					
TITLE		<b>CAGE MOUNT CO-LOCATION PLATFORM</b>					
ECN 008000035168							
SCALE		DOCUMENT NO.					
<b>1:20</b>		<b>MC-CG SERIES</b>					
SIZE	WORK AREA 24	MODEL					
<b>C</b>		DRAWING					
		VERSION	STATUS	REVISION	VERSION	STATUS	REVISION
		02	RE	D	02	RE	D
SHEET							
1 OF 6							

NOTES:



12"-50" MONOPOLE

ANTENNA PIPES  
SOLD SEPARATELY



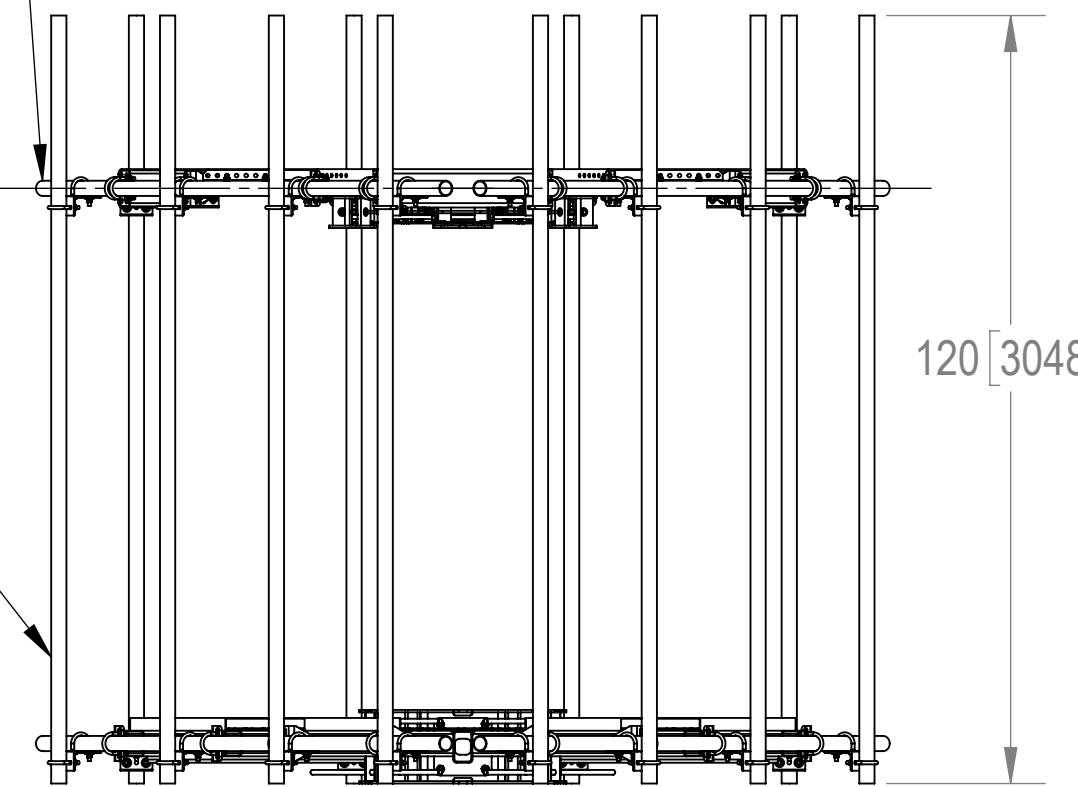
ANTENNA PIPES  
SOLD SEPARATELY

FACEPIPE

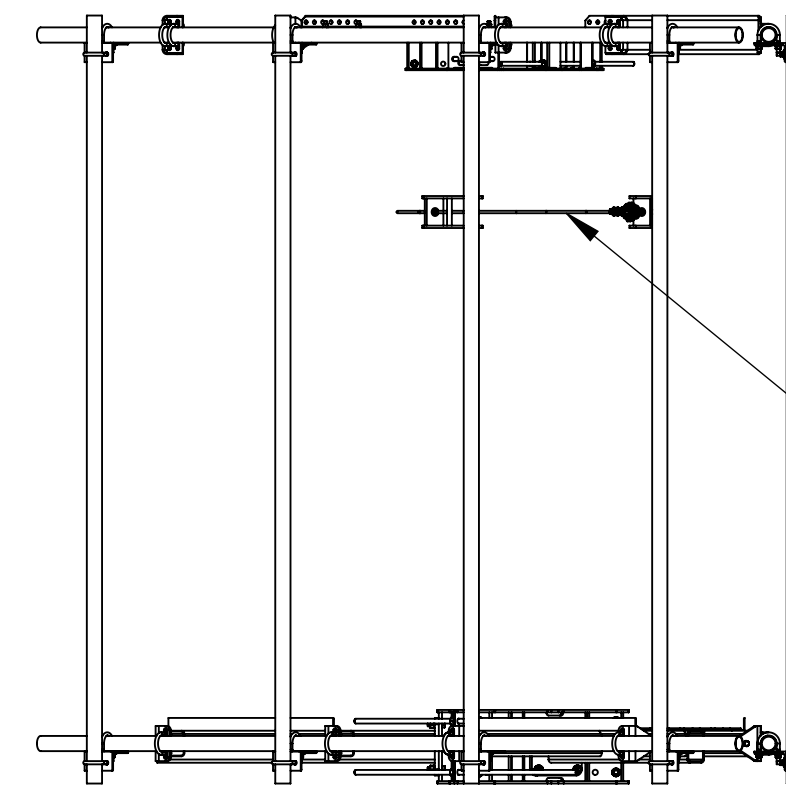
MAX 27" FOR "A" AND "B" MODELS  
MAX 3" FOR "C" MODEL

ANTENNA

ANTENNA PIPES  
SOLD SEPARATELY



120 [3048]



HEIGHT TO BE DETERMINED  
BY COMPETENT CLIMBER

ITEM	PART NO.	DESCRIPTION	MC-CGA10M-B/QTY.	WEIGHT	NOTE NO.
1	GB-04145	1/2" X 1-1/2" GALV BOLT KIT	54	0.13 LBS	
2	GB-0522A	5/8" X 2-1/4" GALV BOLT KIT (A325)	12	0.28 LBS	
3	GUB-4240	1/2" X 2-1/2" X 4" GALV U-BOLT	78	0.56 LBS	SEE NOTE BELOW
4	GW-04	1/2" GALV FLAT WASHER	6	0.04 LBS	
5	MC-RM1550-3	12" - 50" OD RINGMOUNT	1	230.13 LBS	
6	MC-RR1050-3	10" - 50" RRU Monopole Mount	1	92.93 LBS	
7	MCCG1215	ANGLE, 2 X 2 X 1/8 X 15, MC-CG	12	1.85 LBS	
8	MCCG1230	ANGLE, 2 X 2 X 1/8 X 30, MC-CG	6	3.84 LBS	
9	MCPM10	WELDMENT, CO-LOCATION PLATFORM; 40.0"	3	103.27 LBS	SEE TABLE 1 ON SHEET 1 FOR STEEL BUNDLE
10	MCPM106	PLATE, MC-PM PIPE MOUNTING	18	3.76 LBS	
11	MT-537	Ø 2.375" OD x 126" PIPE	6	30.45 LBS	SEE TABLE 1 ON SHEET 1 FOR FACE PIPES
12	RGPT1250	RIG POINT ASSEMBLY, 12-50 IN MONOPOLE	1	42.67 LBS	
13	XA2020.01	ANTENNA MOUNT ANGLE	24	2.65 LBS	
14	MT19525	CORNER WELDMENT FOR MT-195	3	16.89 LBS	
16	GWL-04	1/2" GALV LOCK WASHER	16	0.01 LBS	
17	GN-04	1/2" GALV HEX NUT	16	0.04 LBS	

HARDWARE KIT MC-CGBHK FOR "B" MODELS CONTAINS 54 GUB-4352, AND 24 GUB-4240

HARDWARE KIT MC-CGCHK FOR "C" MODEL CONTAINS 78 GUB-4352, AND NO GUB-4240

**MC-CGA10M-B SHOWN  
FOR REFERENCE**

COMMScope, INC. OF NORTH CAROLINA				
TITLE CAGE MOUNT CO-LOCATION PLATFORM				
SIZE C	SCALE 1:30	DOCUMENT NO. MC-CG SERIES		
DRAWING		VERSION	STATUS	REVISION
SHEET 2 OF 6		02	RE	D

4

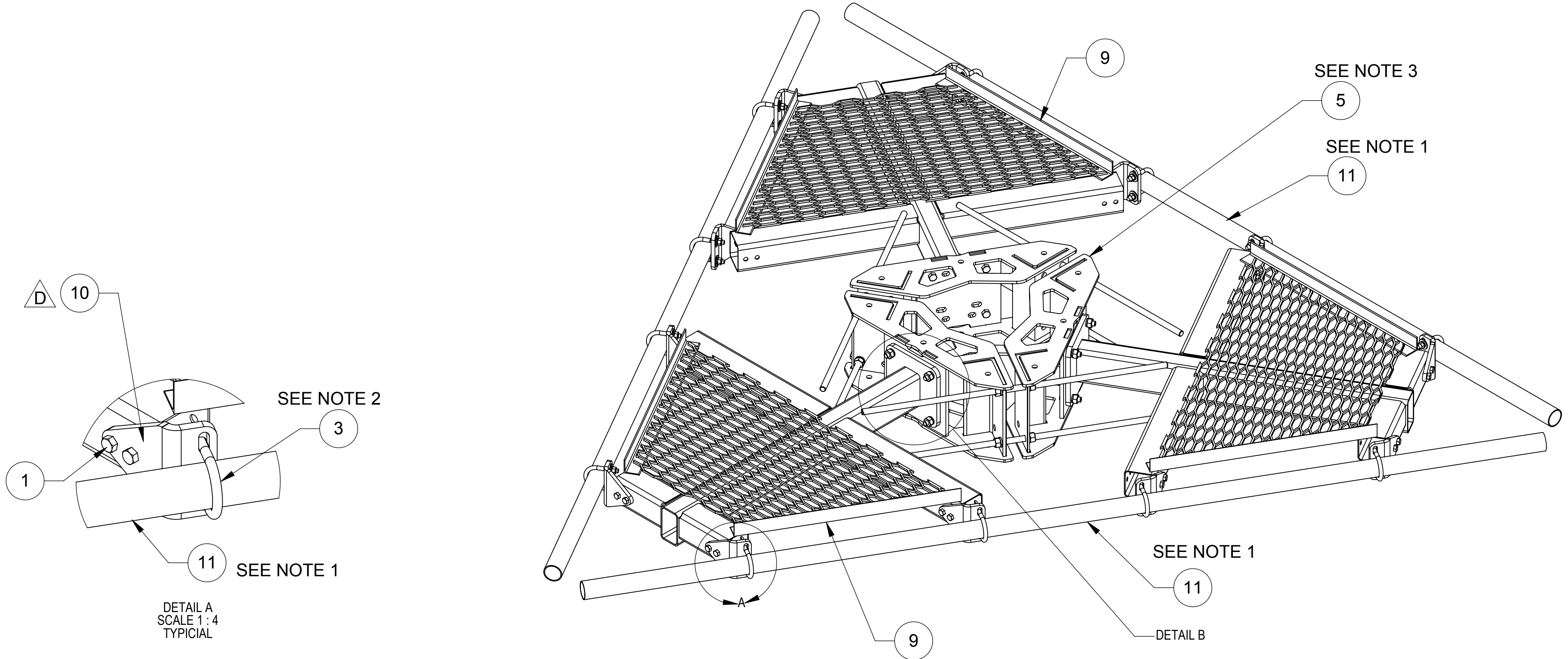
3

2

1

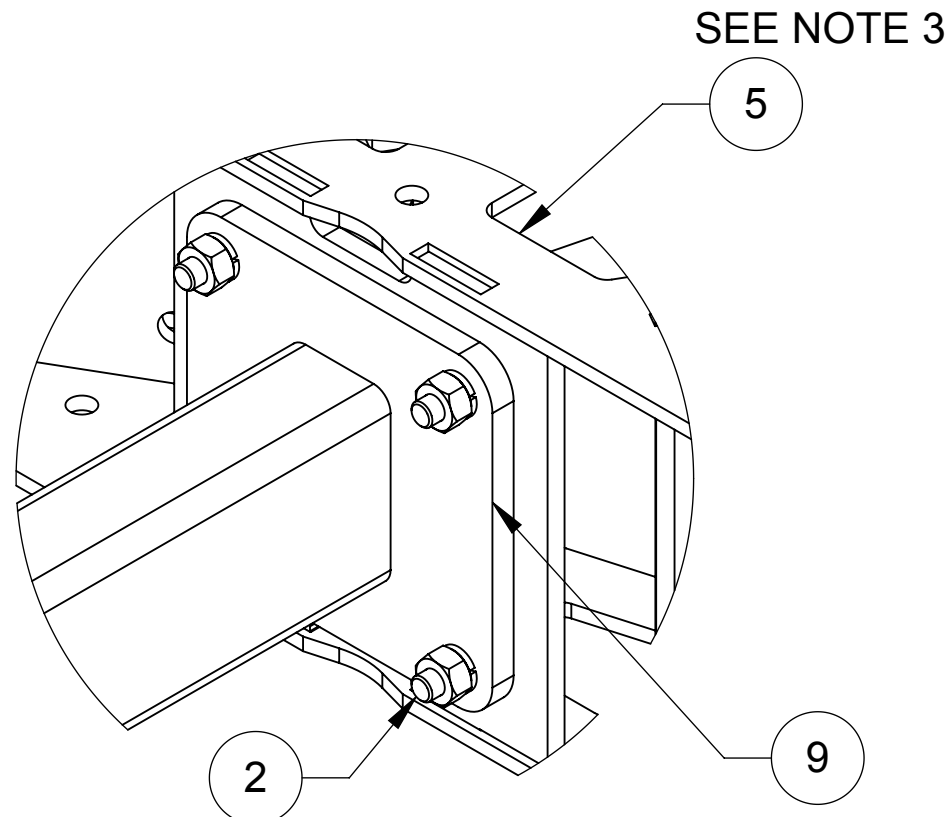
NOTES:


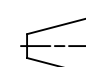
- 1.0 SEE TABLE 1 ON SHEET 1 FOR FACE PIPE SIZE.
- 2.0 USE GUB-4240 ON WITH  $\phi$ 2.38 PIPE & GUB-4352 WITH  $\phi$ 2.88 PIPE.
- 3.0 USE DRAWING MC-RM1550-3 TO ASSEMBLE RING MOUNT.



DETAIL A  
SCALE 1:4  
TYPICAL

DETAIL B  
SCALE 1:4



COMMSCOPE, INC. OF NORTH CAROLINA				
TITLE CAGE MOUNT CO-LOCATION PLATFORM				
SIZE C	SCALE 1:10	DOCUMENT NO. MC-CG SERIES		
 		DRAWING		SHEET 3 OF 6
		VERSION 02	STATUS RE	

4

3

2

1

4

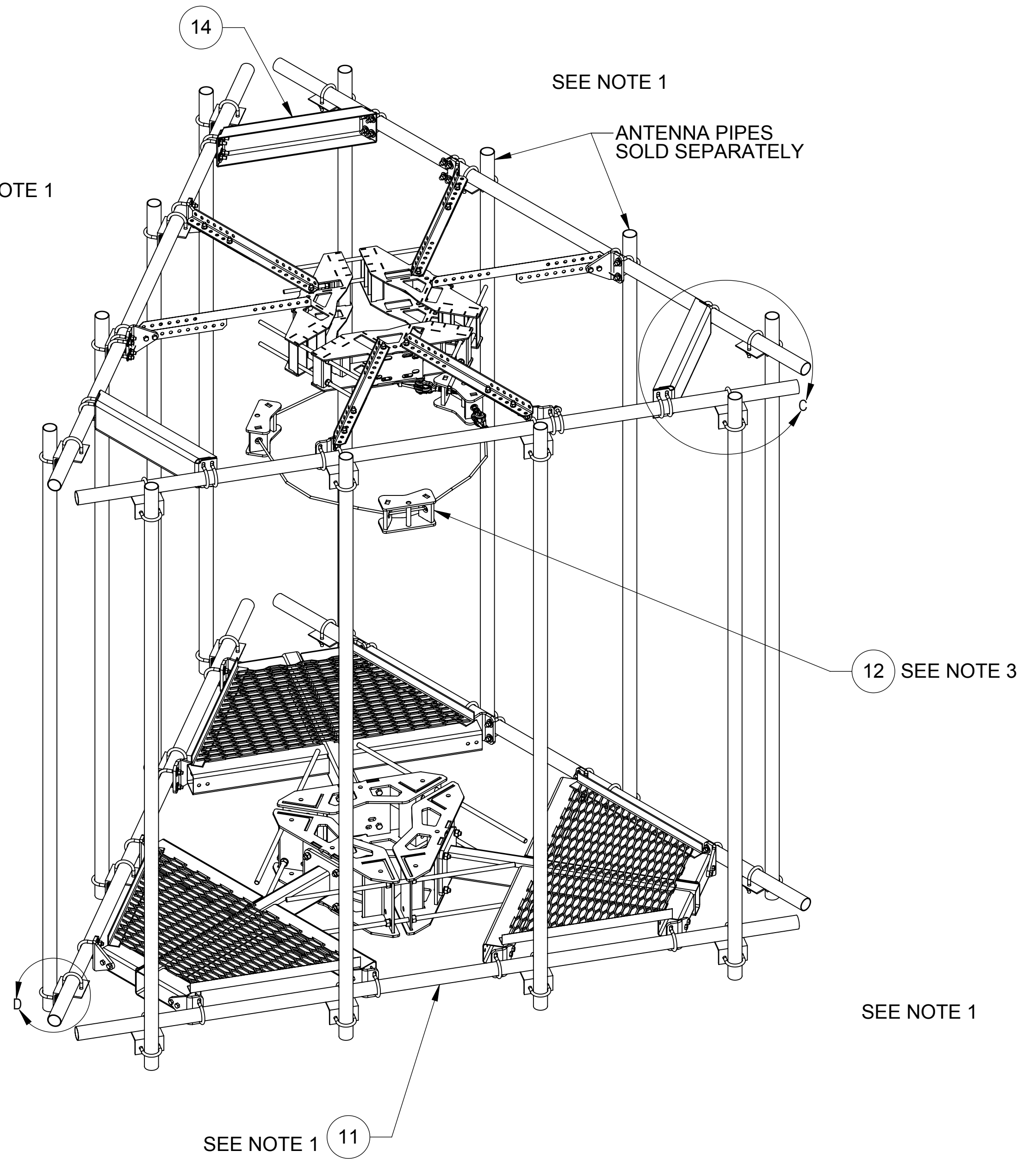
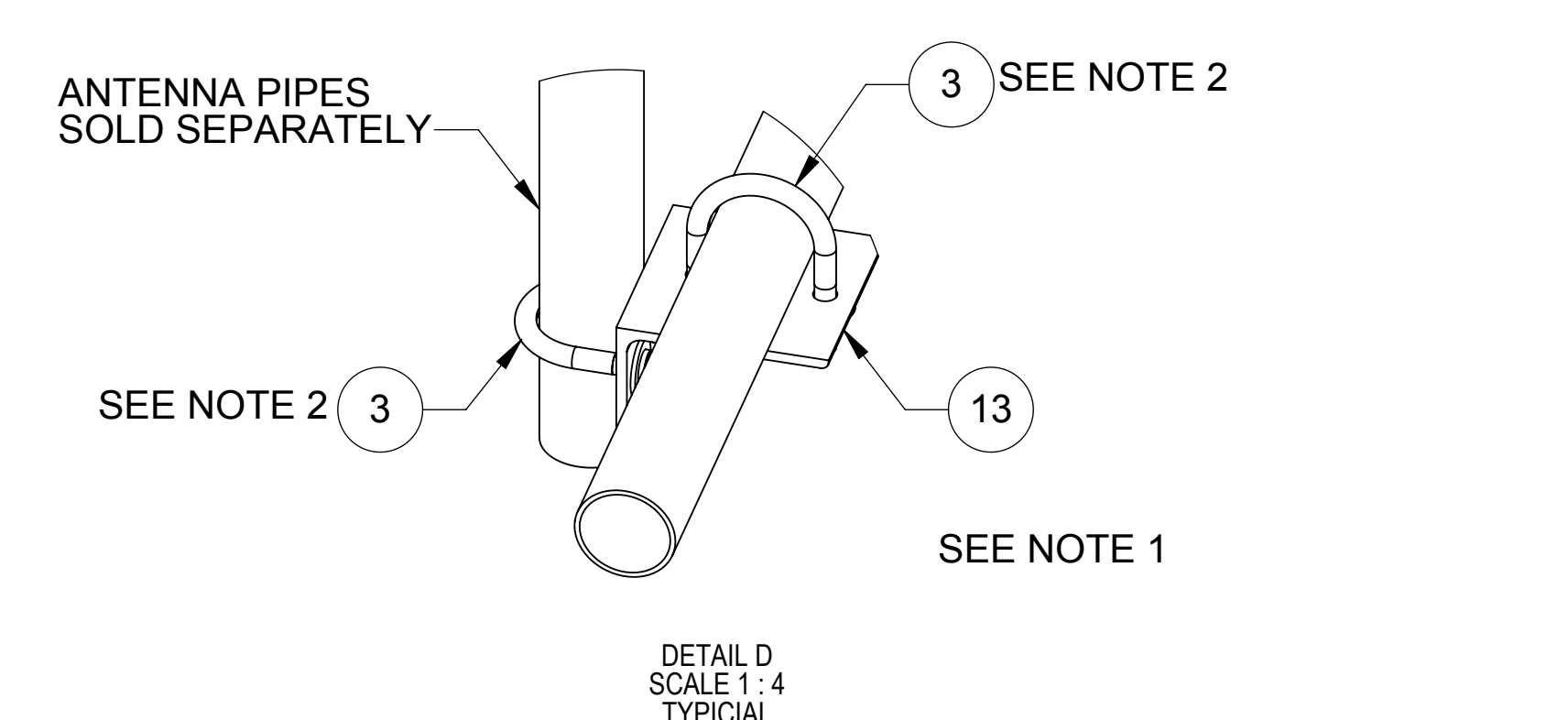
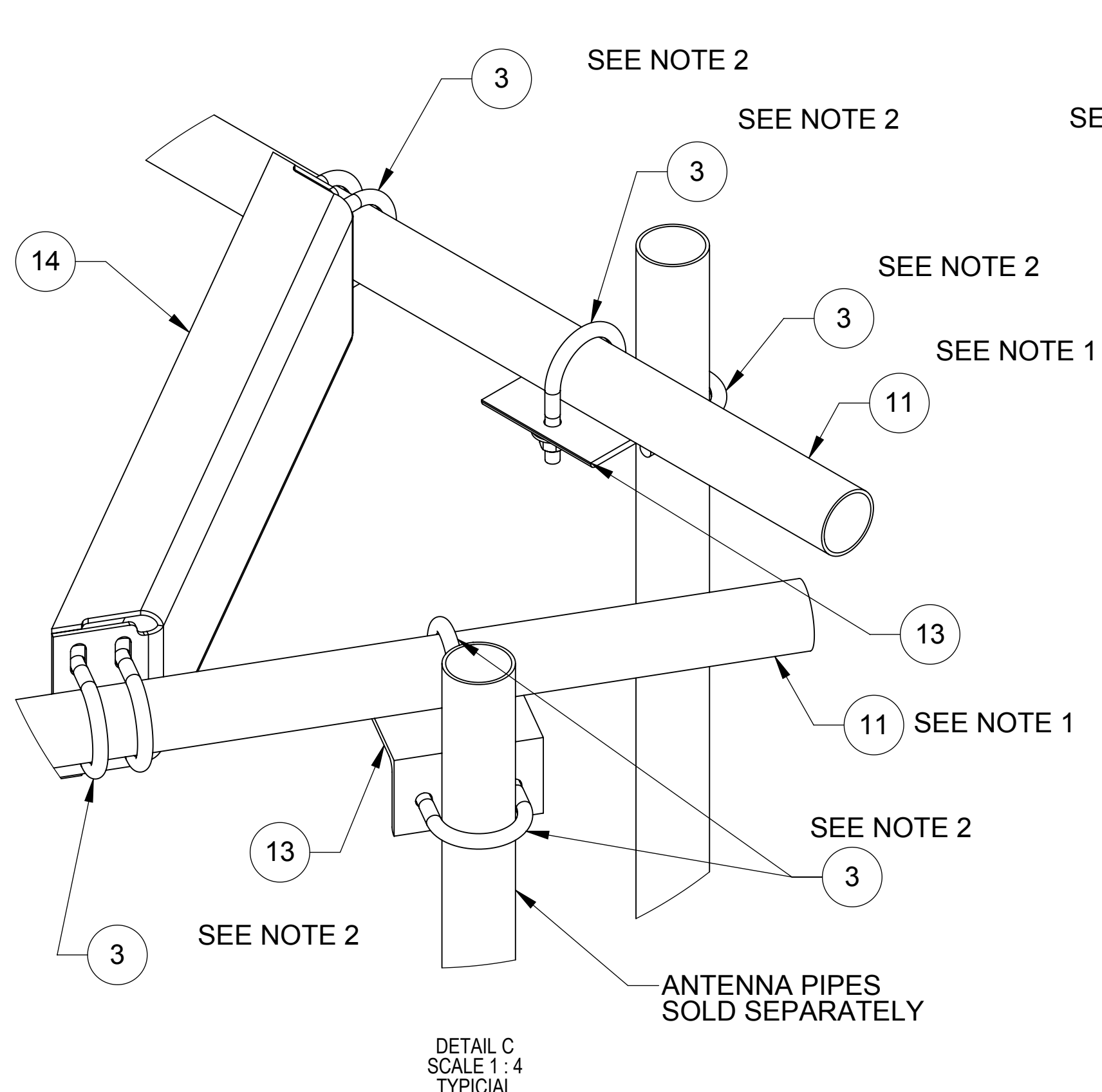
3


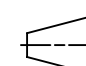
2

1

NOTES:

- 1.0 SEE TABLE 1 ON SHEET 1 FOR FACE PIPE SIZE.
- 2.0 USE GUB-4240 ON WITH  $\varnothing$  2.38 PIPE & GUB-4352 WITH  $\varnothing$  2.88 PIPE.
- 3.0 USE DRAWING RGPT1250 TO ASSEMBLE RIG POINT.
- 4.0 MC-RR1050-3 HIDDEN FROM VIEW FOR CLARITY



COMMScope, INC. OF NORTH CAROLINA				
TITLE CAGE MOUNT CO-LOCATION PLATFORM				
SIZE C	SCALE 1:15	DOCUMENT NO. MC-CG SERIES		
 		DRAWING		SHEET
		VERSION 02	STATUS RE	REVISION DD

4

3

2

1

4

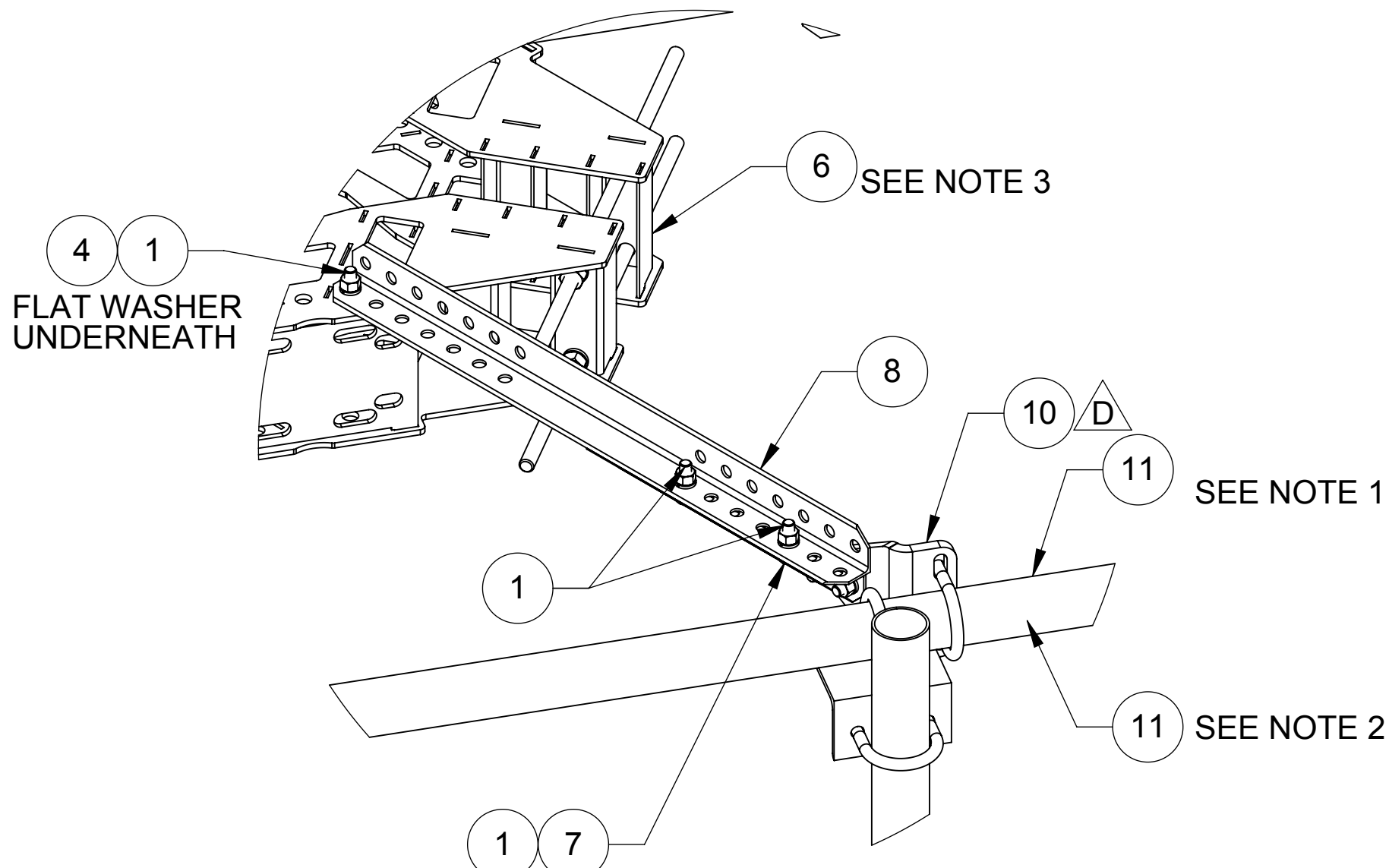
3

2

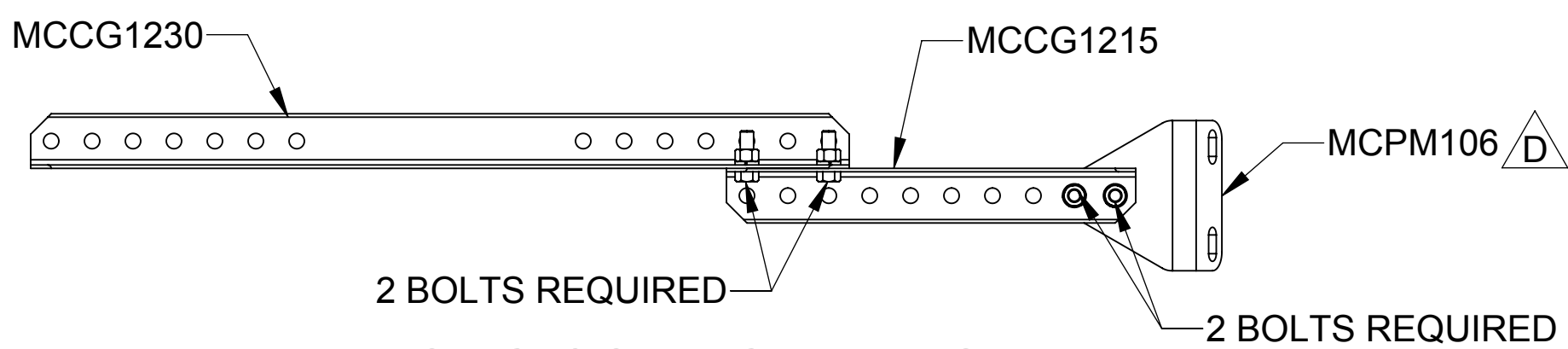
1

NOTES:

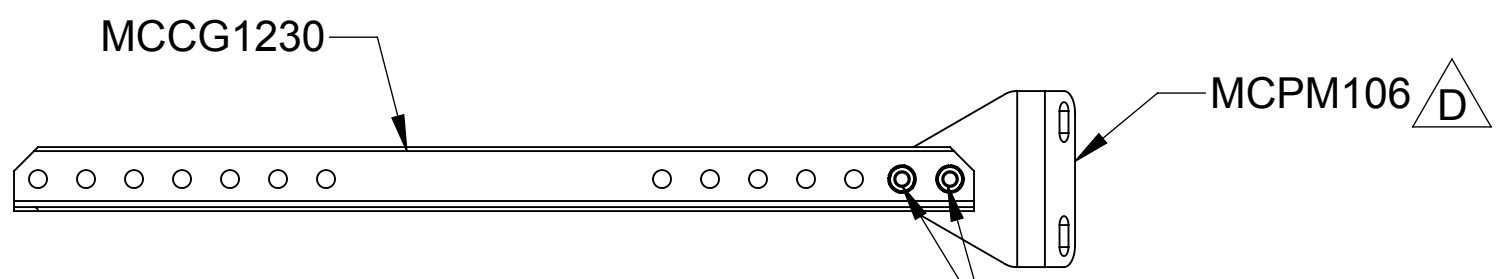
- 1.0 SEE TABLE 1 ON SHEET 1 FOR FACE PIPE SIZE.
- 2.0 USE GUB-4240 ON WITH  $\phi$ 2.38 PIPE & GUB-4352 WITH  $\phi$ 2.88 PIPE.
- 3.0 USE DRAWING MC-RR1050-3 TO ASSEMBLE RING MOUNT.



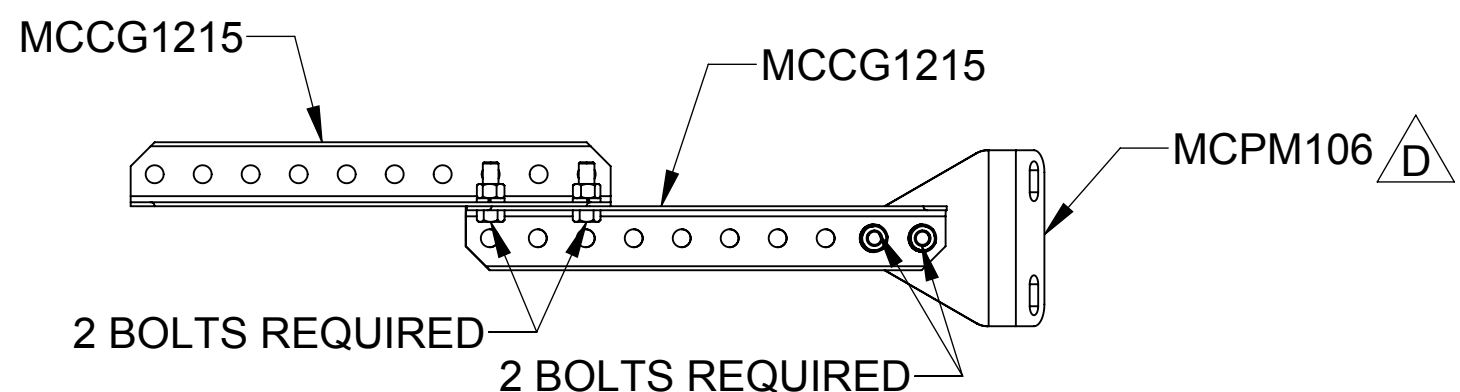
DETAIL E  
SCALE 1:6  
TYPICAL



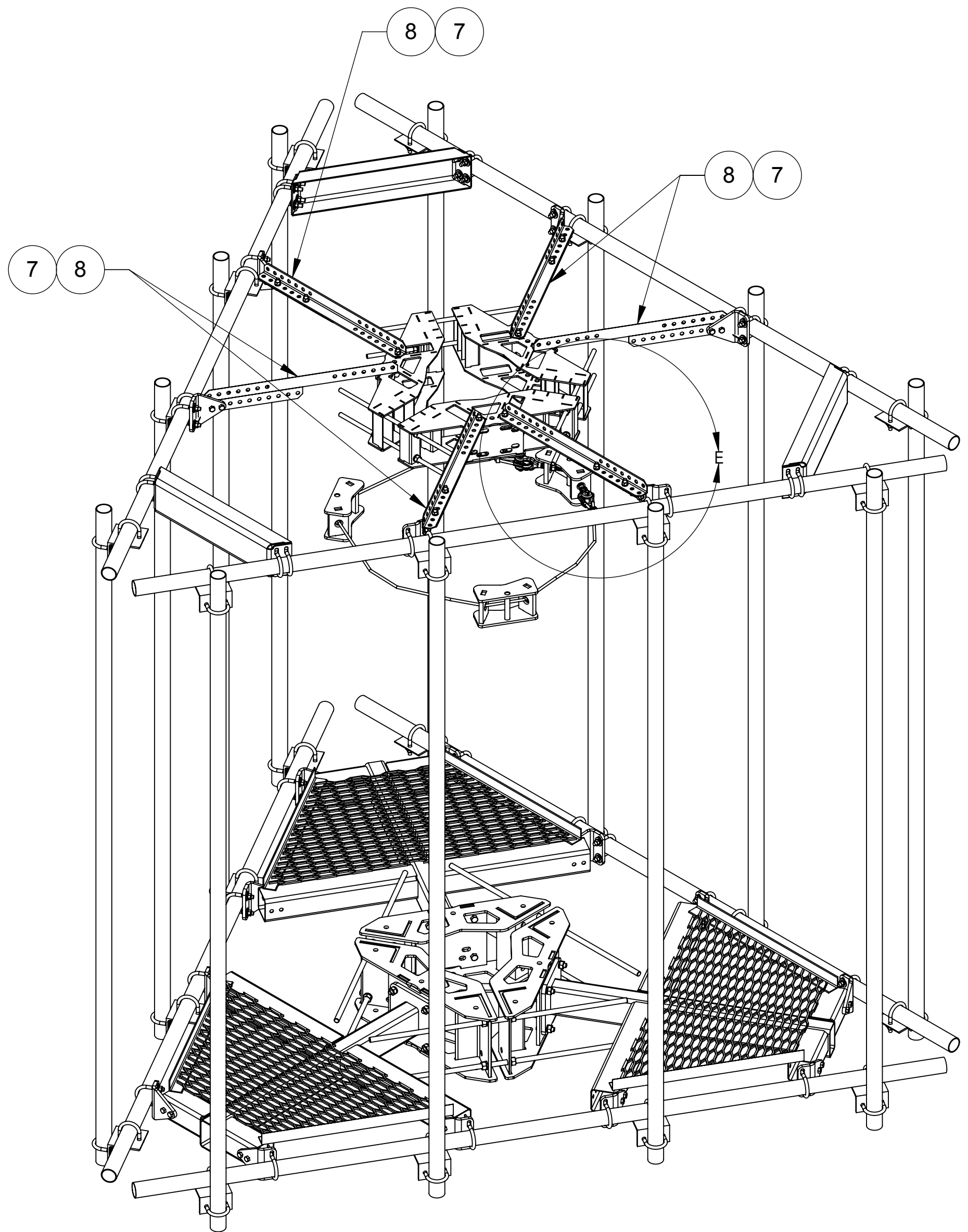
**LONG CONFIGURATION**



**MEDIUM CONFIGURATION**



**SHORT CONFIGURATION**



COMMScope, INC. OF NORTH CAROLINA				
TITLE CAGE MOUNT CO-LOCATION PLATFORM				
SIZE C	SCALE 1:15	DOCUMENT NO. MC-CG SERIES		
		DRAWING		SHEET
		VERSION 02	STATUS RE	REVISION DD

4

3

2

1

4

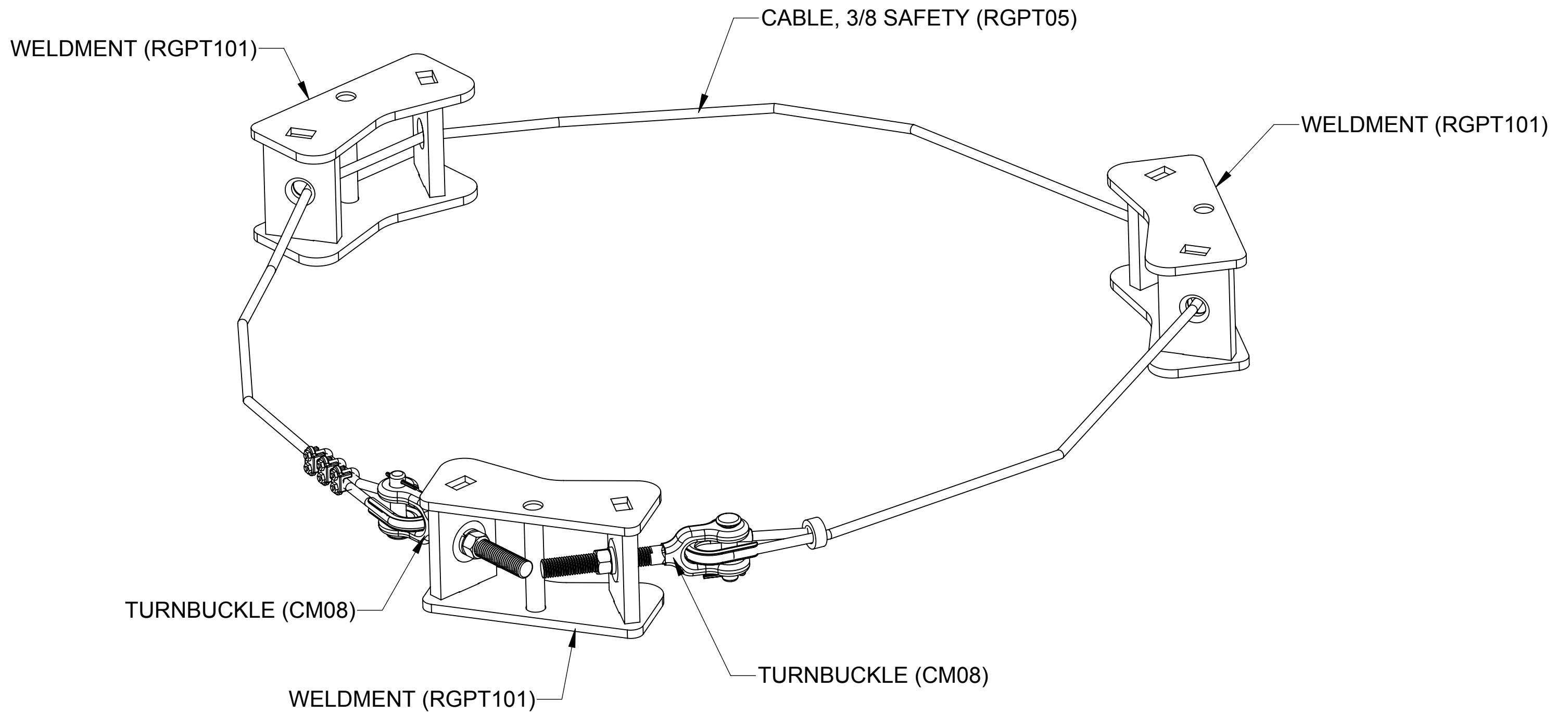
3

2

1

NOTES:

- 1.0 RIG POINT FITS AROUND 12" - 50" DIAMETER POLES.
- 2.0 RIG POINT IS RATED FOR EQUIPMENT OF 3600 LBS.
- 3.0 MINIMUM TORQUE: 150 FT/LBS  
MAXIMUM TORQUE: 200 FT/LBS
- 4.0 USE DRAWING RGPT1250 TO ASSEMBLE RIG POINT.



**RIG POINT (RGPT1250) SHOWN**

COMMSCOPE, INC. OF NORTH CAROLINA				
TITLE CAGE MOUNT CO-LOCATION PLATFORM				
SIZE <b>C</b>	SCALE <b>1:4</b>	DOCUMENT NO. <b>MC-CG SERIES</b>		
		DRAWING		SHEET
		VERSION	STATUS	REVISION
		02	RE	DD
				6 OF 6

4

3

2

1