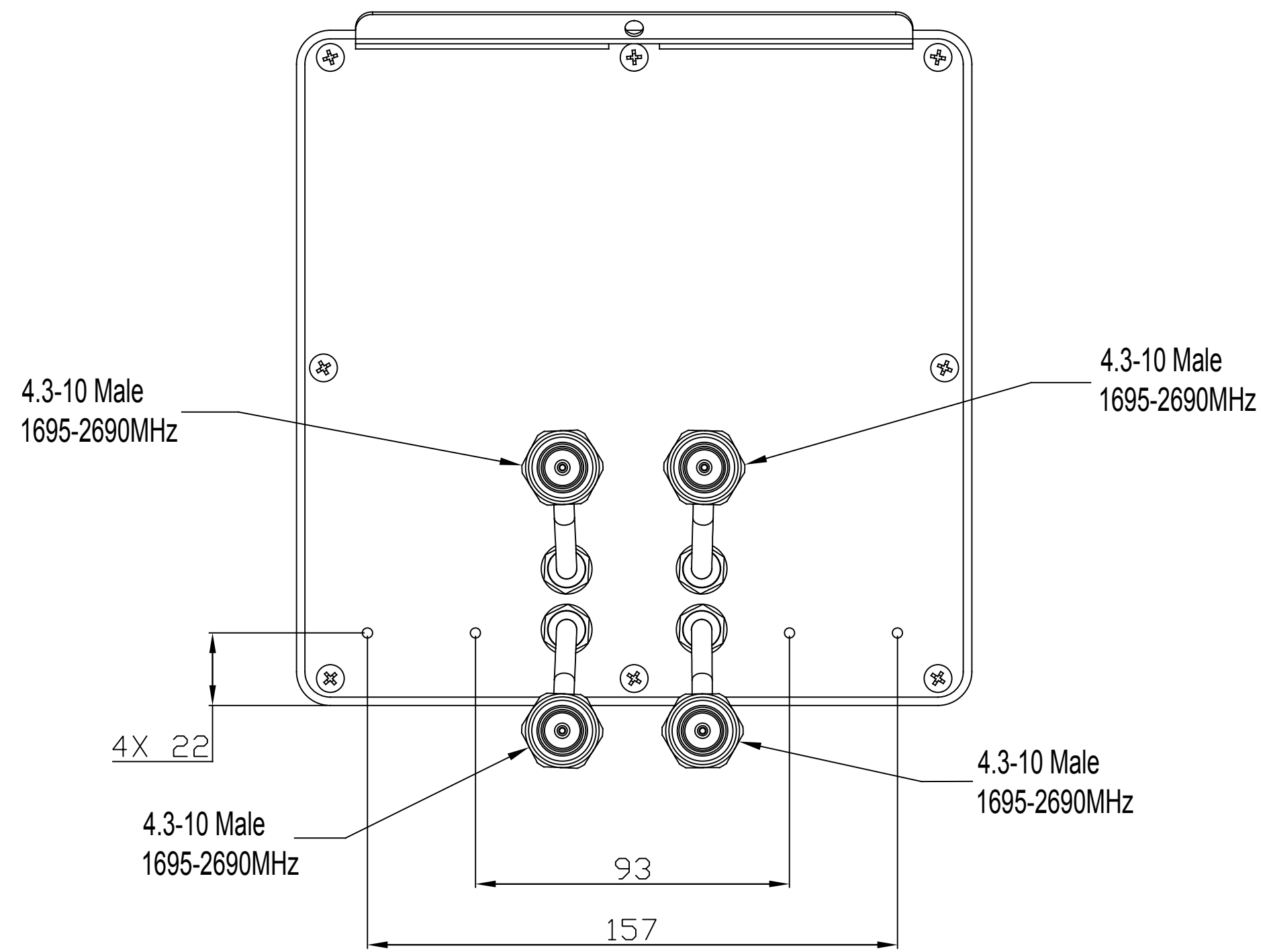
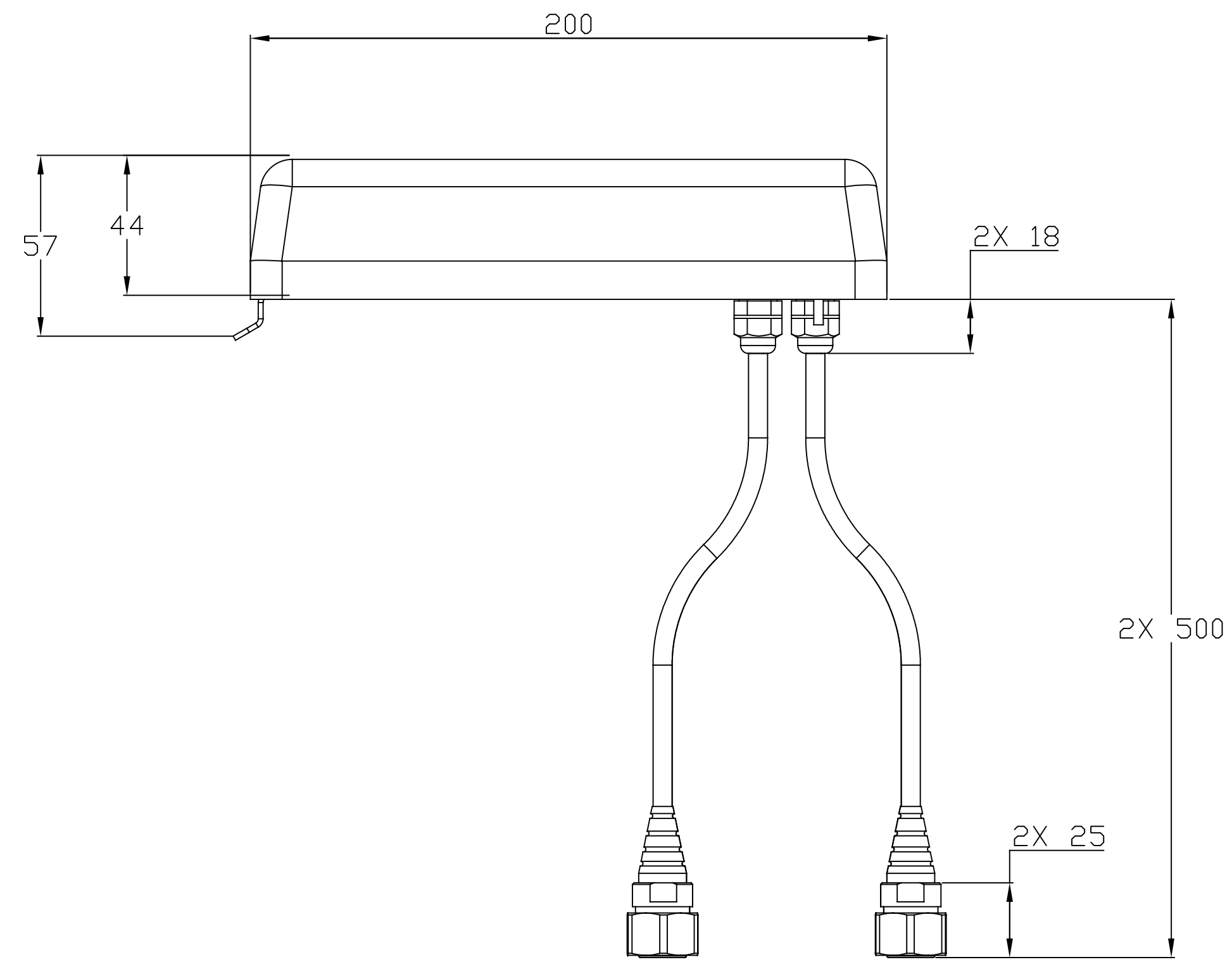
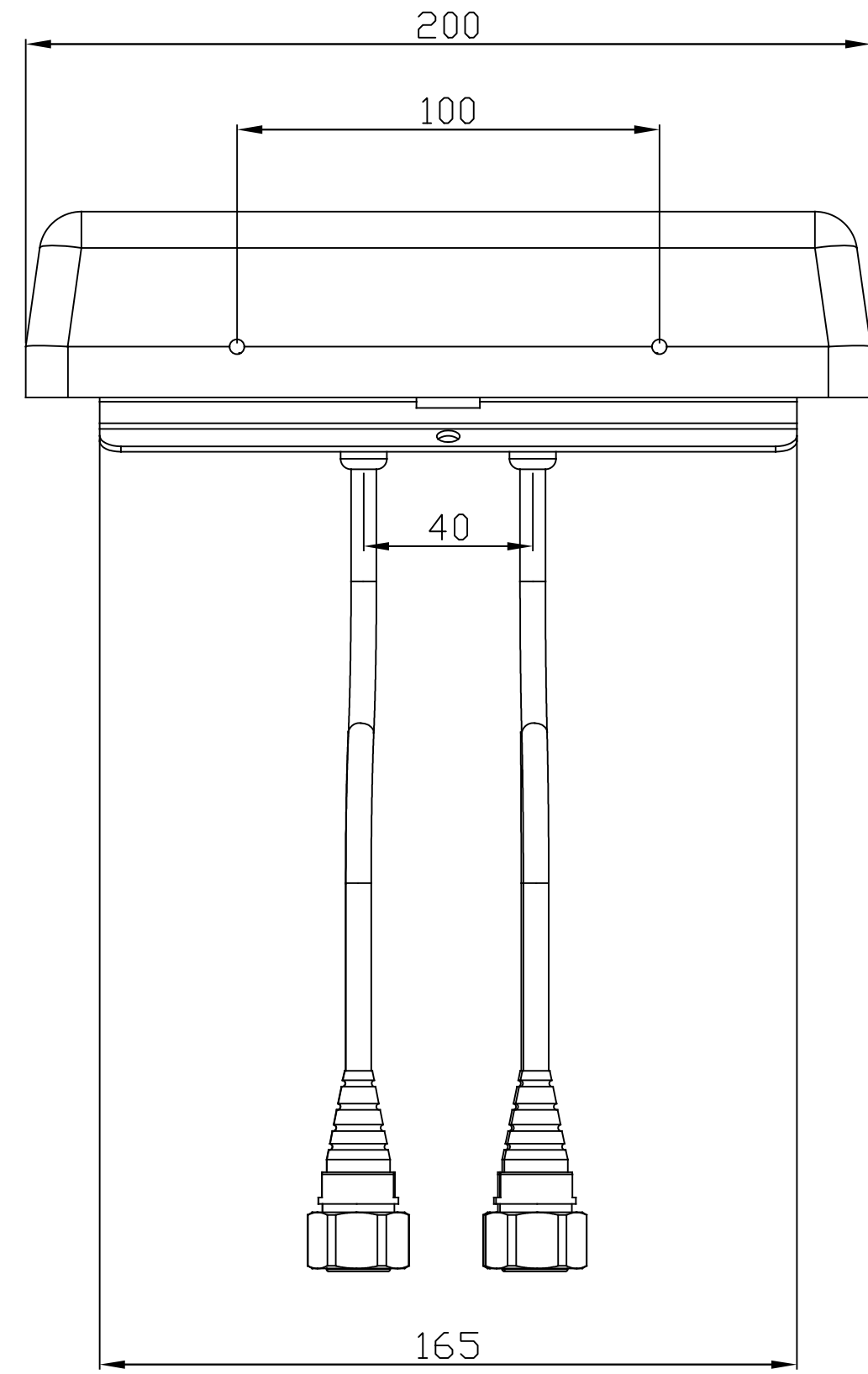


NOTES:

REVISIONS			
REV.	DESCRIPTION	DATE	APPROVED
A	ECR 8000031277: REL TO PRODUCTION PER EAD 605701.	23AUG18 RY	KEL/PJ



VV-65T-F-V2

COMMSCOPE, INC. OF NORTH CAROLINA			
TOLERANCES		SAP MATERIAL MASTER	
0 PLACE	X ±	2 PLACE	.XX ±
1 PLACE	X ±	ANGLES	±
FINISH		MATERIAL	
UNLESS OTHERWISE SPECIFIED, DIMENSIONS ARE IN MILLIMETERS INTERPRET PER ISO STANDARDS HANDBOOK TECHNICAL DRAWINGS, VOLUMES 1 & 2, THIRD EDITION (2003)		NAME	DATE
		CE	RY1017 07/02/2018
		RW	RY1017 08/23/2018
		RV	WW1027 08/23/2018
		AD	JP1112 08/23/2018
		RE	ZHHCHEN 08/23/2018
		ECN	8000031277-0
		TITLE	PRODUCT DRAWING
		SCALE	1:2
		DOCUMENT NO.	VV-65T-F-V2-L
DENSITY	g/mm ³	SIZE	WORK AREA 23
MASS	grams	HEIGHT	LENGTH
VOLUME	mm ³	WIDTH	
SURFACE AREA	mm ²	MODEL	
		DRAWING	
		VERSION	STATUS
		REVISION	VERSION
		STATUS	REVISION
		REVISION	STATUS
		REVISION	REVISION
		SHEET	
		1 OF 1	

DENSITY	g/mm ³
MASS	grams
VOLUME	mm ³
SURFACE AREA	mm ²
HEIGHT	
LENGTH	
WIDTH	

© 2018 ComScope, Inc.