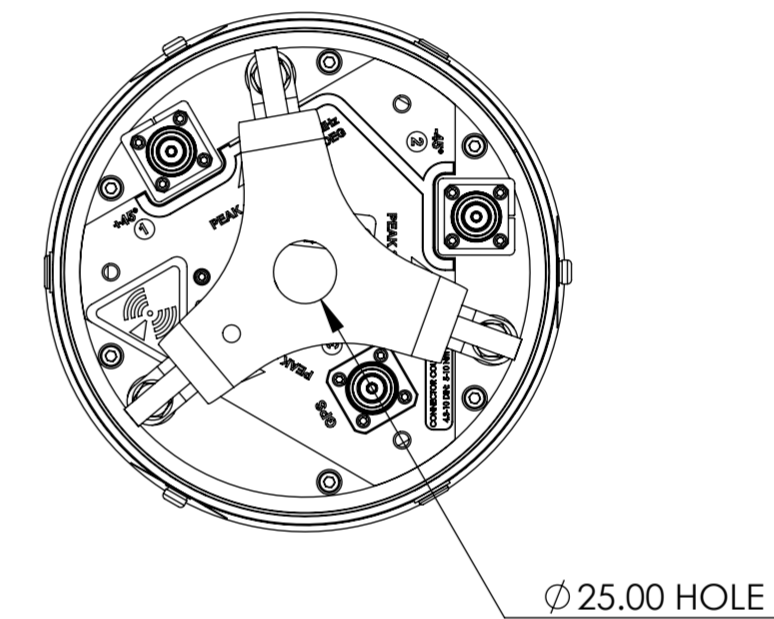
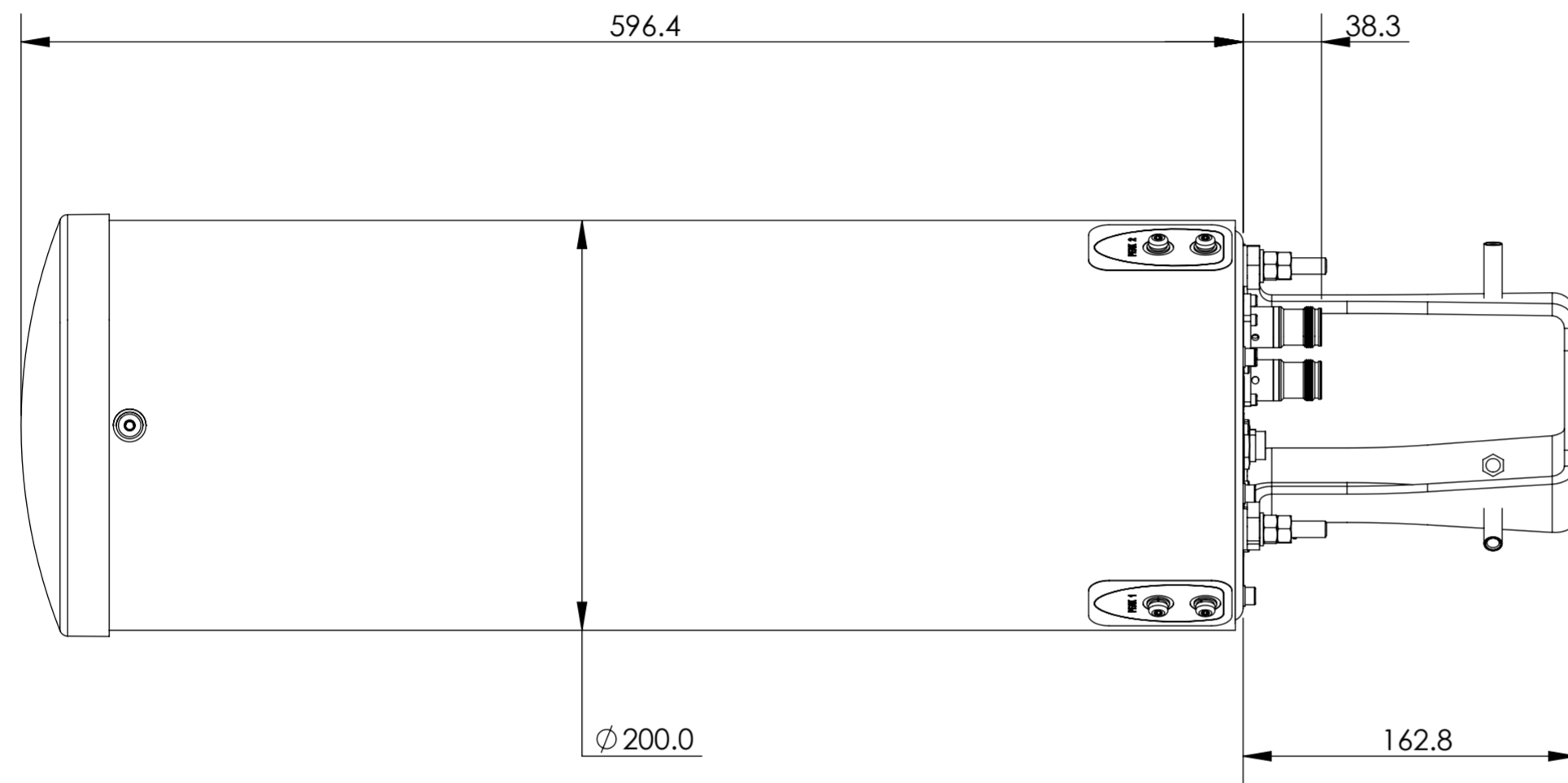


NOTES:

REVISIONS			
REV.	DESCRIPTION	DATE	APPROVED
A	ECR 800008681: RELEASE TO PRODUCTION PER EAO 602224.	01AUG15 SWD	XU.ZHANG/MIN.SHEN
B	ECR 8000011109: UPDATE DRAWING.	12NOV15 SWD	XU.ZHANG/MIN.SHEN
C	ECR 8000015254: UPDATE DRAWING.	7/27/16 J.H	XU.ZHANG/MIN.SHEN



V360QS-GC3-3XR

COMMSCOPE, INC. OF NORTH CAROLINA												
TOLERANCES						SAP MATERIAL MASTER						
0 PLACE X ±			2 PLACE .XX ±			1 PLACE .X ±			ANGLES ±			
FINISH N/A						MATERIAL N/A						
UNLESS OTHERWISE SPECIFIED DIMENSIONS ARE IN MILLIMETERS INTERPRET PER ISO STANDARDS HANDBOOK TECHNICAL DRAWINGS, VOLUMES 1 & 2, THIRD EDITION (2002)	NAME		DATE		TITLE							
	CE	SWD	01AUG15		PRODUCT DRAWING							
	RW	XYHANG	07/27/2016									
	RV	MS1061	07/27/2016									
	AD	XZ1019	07/27/2016									
	RE	BYUAN	07/28/2016									
ECN 8000015254-O						SCALE 1:1		DOCUMENT NO. V360QS-GC3-3XR-L				
SIZE		WORK AREA		23		MODEL		DRAWING		SHEET		
A2						VERSION	STATUS	REVISION	VERSION	STATUS	REVISION	1 OF 1
						02	RE	C	02	RE	C	

DENSITY	g/mm ³
MASS	grams
VOLUME	mm ³
SURFACE AREA	mm ²
HEIGHT	
LENGTH	
WIDTH	

© 2015 CommScope, Inc.