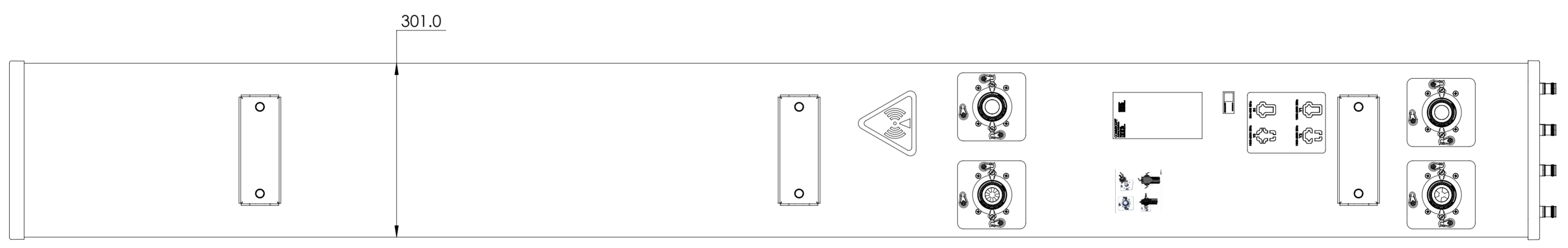
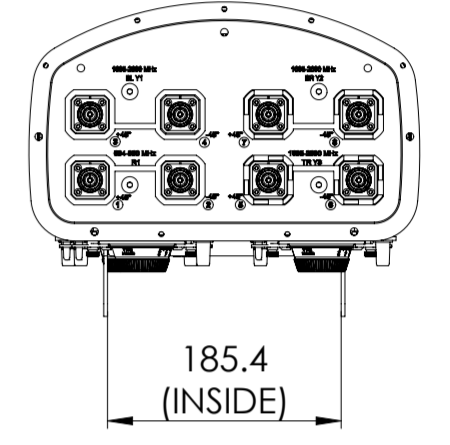
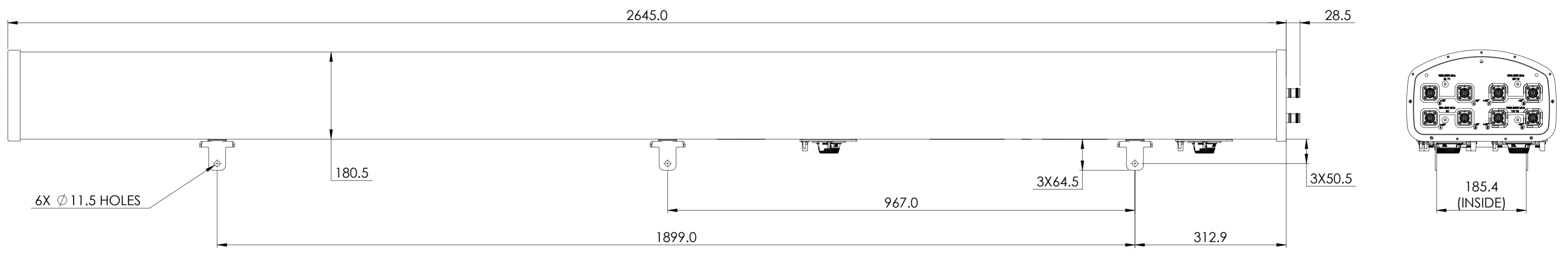


REVISIONS			
REV.	DESCRIPTION	DATE	APPROVED
A	ECR 8000029129 : REL TO PRODUCTION PER EAO 605363.	06APR18 AC	NJ/AMIT.S



RV365D-M-V2

COMMSCOPE, INC. OF NORTH CAROLINA

TOLERANCES		SAP MATERIAL MASTER	
0 PLACE X ±	2 PLACE .XX ±		
1 PLACE .X ±	ANGLES ±		
FINISH		MATERIAL	
UNLESS OTHERWISE SPECIFIED DIMENSIONS ARE IN MILLIMETERS INTERPRET PER ISO STANDARDS HANDBOOK TECHNICAL DRAWINGS VOLUMES 1 & 2, THIRD EDITION (2002)		NAME DATE TITLE	
CE	AC	06 APR 18	PRODUCT DRAWING
RW	VJ1007	05/10/2018	
RV	VJ1007	05/10/2018	
AD	VS1049	05/15/2018	
RE	ZHHCHEN	05/22/2018	
ECN 8000029129-0		SCALE 1:6	DOCUMENT NO. RV365D-M-V2-L
SIZE WORK AREA 23		MODEL	
A2		VERSION 00	STATUS RE
		REVISION A	DRAWING
		VERSION 00	STATUS RE
		REVISION A	REVISION A
		SHEET 1 OF 1	

DENSITY	g/mm <sup>3</sup>
MASS	grams
VOLUME	mm <sup>3</sup>
SURFACE AREA	mm <sup>2</sup>
HEIGHT	
LENGTH	
WIDTH	