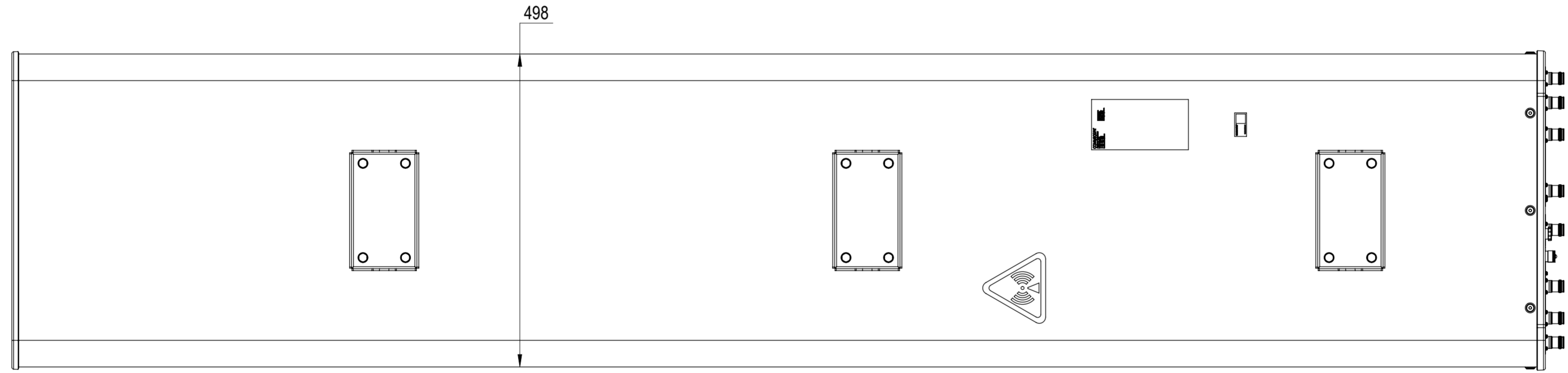
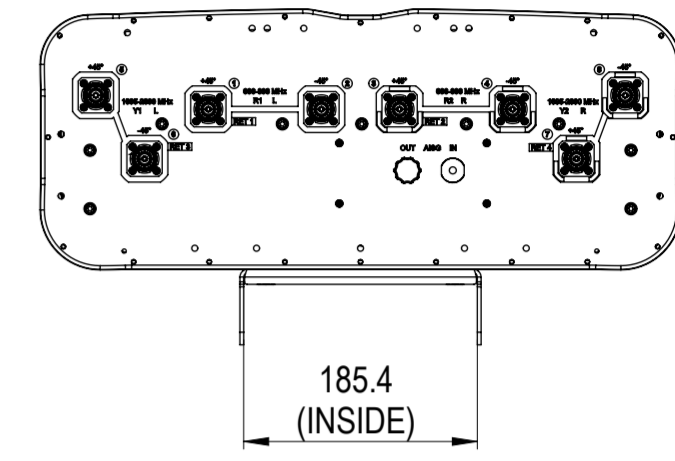
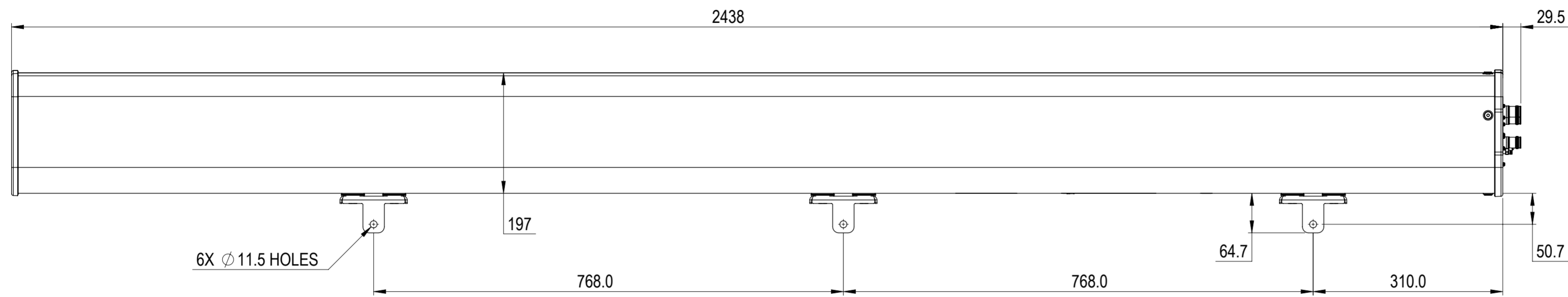


NOTES:

REVISIONS			
REV.	DESCRIPTION	DATE	APPROVED
A	ECR 8000028107: REL TO PRODUCTION PER EAO 605045.	26JAN18 HWW	SHINE/PJ



NNVV-65C-R4

COMMSCOPE, INC. OF NORTH CAROLINA

TOLERANCES		SAP MATERIAL MASTER	
0 PLACE X ±	2 PLACE .XX ±		
1 PLACE .X ±	ANGLES ±		
FINISH		MATERIAL	
<small>UNLESS OTHERWISE SPECIFIED DIMENSIONS ARE IN MILLIMETERS INTERPRET PER ISO STANDARDS HANDBOOK TECHNICAL DRAWINGS VOLUMES 1 & 2, THIRD EDITION (2002)</small>		NAME	DATE
		CE WH1029	01/26/2018
		RW WH1029	01/29/2018
		RV WW1027	01/30/2018
		AD JP1112	01/30/2018
RE ZHHCHEN	01/30/2018	TITLE	
ECN 8000028107-O		PRODUCT DRAWING	
SCALE 1:5		DOCUMENT NO. NNVV-65C-R4-L	
SIZE A2	WORK AREA 23	MODEL	
		VERSION 00	STATUS RE
		REVISION A	VERSION 00
		DRAWING	
		STATUS RE	REVISION A
HEIGHT		SHEET	
LENGTH		1 OF 1	
WIDTH			