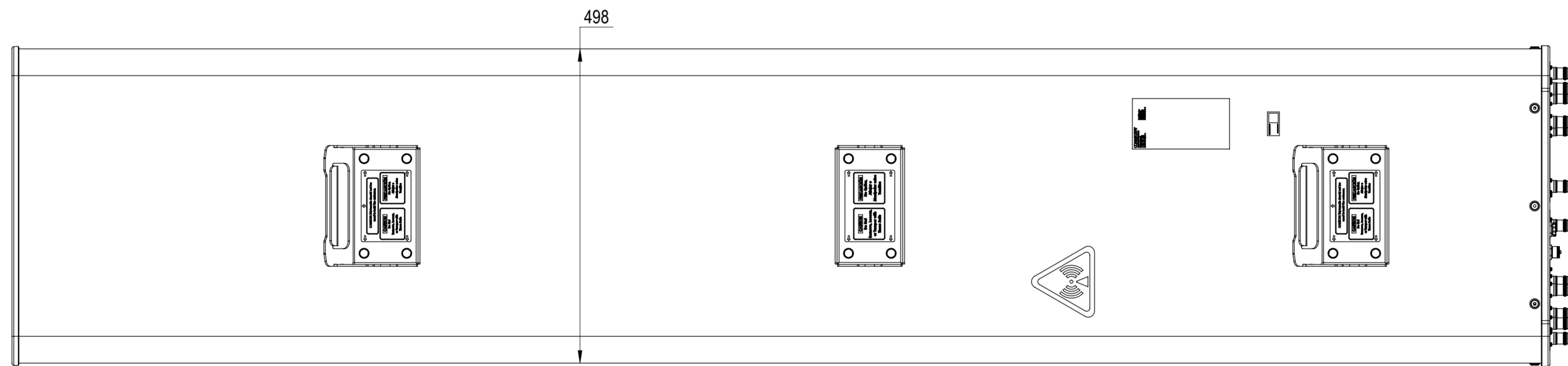
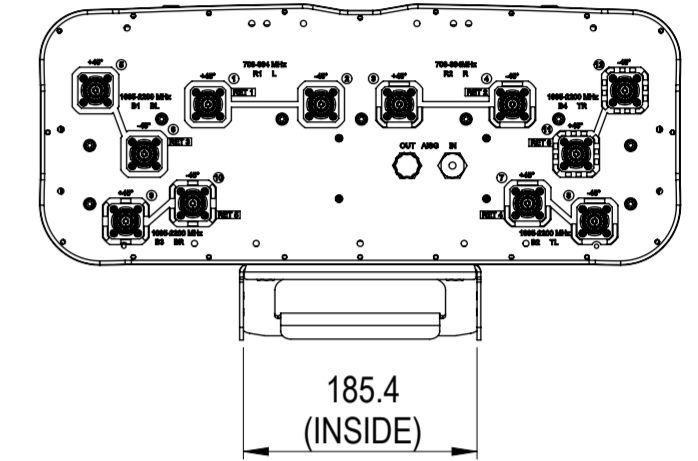
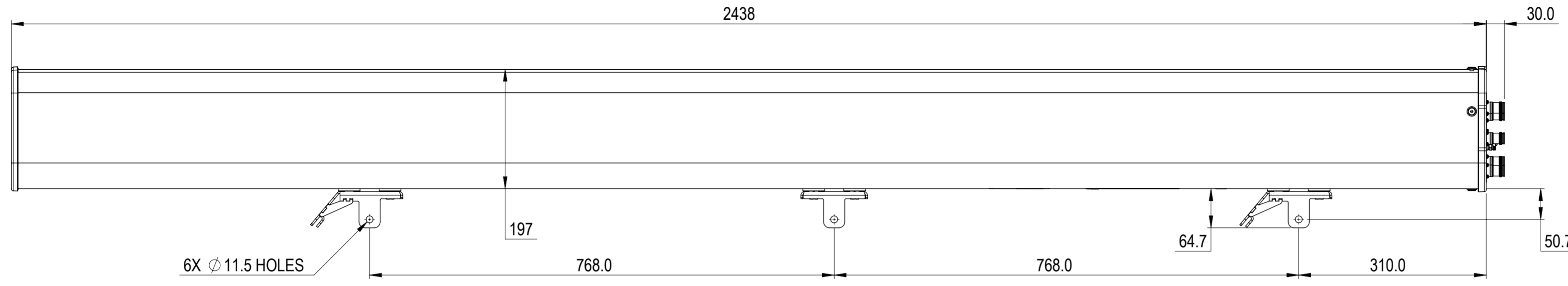


REVISIONS			
REV.	DESCRIPTION	DATE	APPROVED
A	ECR 8000027524: RELEASE TO PRODUCTION PER EAO 604932.	02JAN17 LUOS	LZL / X.MEI
B	ECR 8000027937: UPDATE DRAWING WITH LATEST MODEL.	13JAN18 RY	KEL/X.MEI
C	ECR 8000036581: UPDATE DRAWING WITH LATEST MODEL.	30JUL19 CMY	ZHWJ/REX
D	ECR 8000038053: UPDATE DRAWING WITH LATEST MODEL.	05NOV19 LS	DM.WANG/YZLI



NNH4-65C-R6-V2

COMMSCOPE, INC. OF NORTH CAROLINA

TOLERANCES		SAP MATERIAL MASTER	
0 PLACE X ±	2 PLACE .XX ±		
1 PLACE .X ±	ANGLES ±		
FINISH		MATERIAL	
<small>UNLESS OTHERWISE SPECIFIED DIMENSIONS ARE IN MILLIMETERS INTERPRET PER ISO STANDARDS HANDBOOK 1 TECHNICAL DRAWINGS VOLUMES 1 & 2, THIRD EDITION (2002)</small>		NAME	DATE
		CE LUOS	12/17/2017
		RW SL1039	11/05/2019
		RV DW1030	11/05/2019
		AD YL1022	11/05/2019
RE ZHHCHEN	11/05/2019	PRODUCT DRAWING SCALE: 1:6 DOCUMENT NO. NNH4-65C-R6-V2-L	
ECN 8000038053-O			
SIZE	WORK AREA	23	MODEL
A2		VERSION	STATUS
		04	RE
		REVISION	VERSION
		E	03
		DRAWING	REVISION
		RE	D
			SHEET
			1 OF 1

DENSITY	g/mm ³
MASS	grams
VOLUME	mm ³
SURFACE AREA	mm ²
HEIGHT	
LENGTH	
WIDTH	

© 2018 CommScope, Inc.