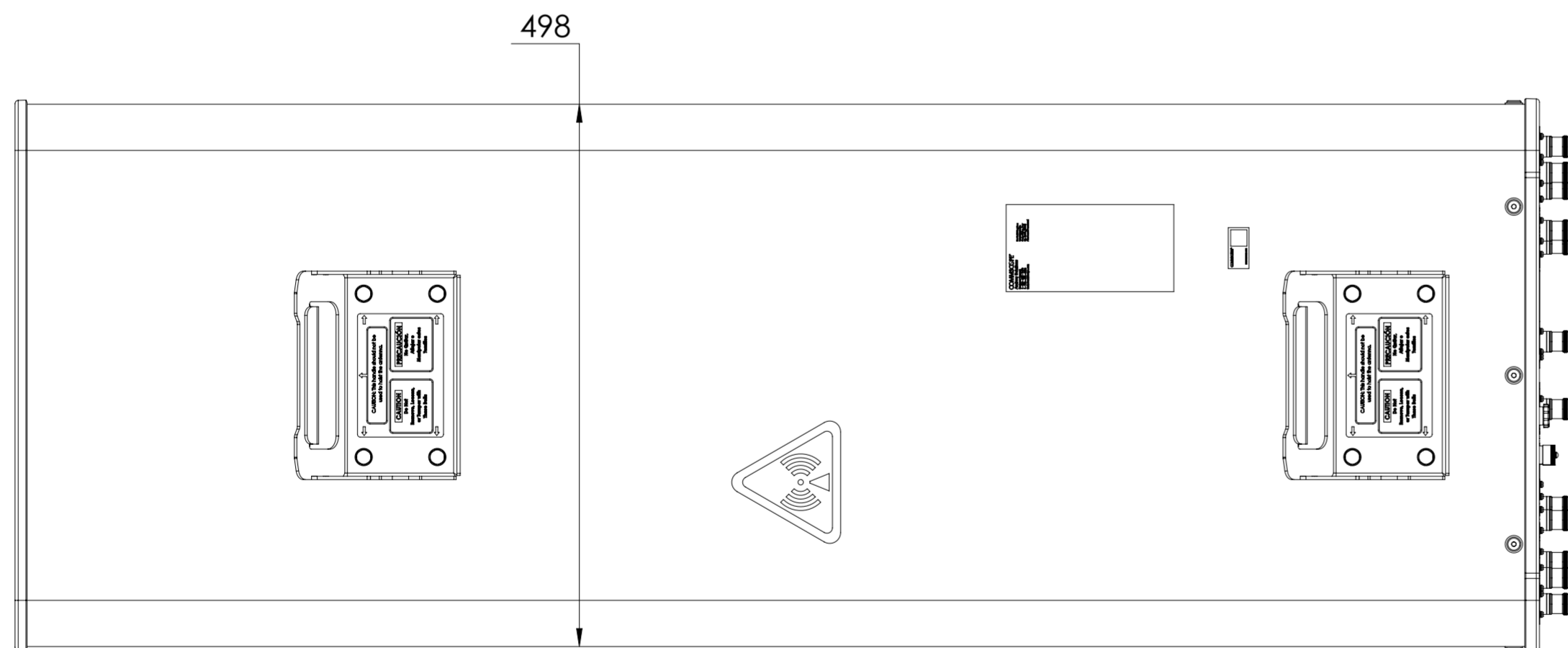
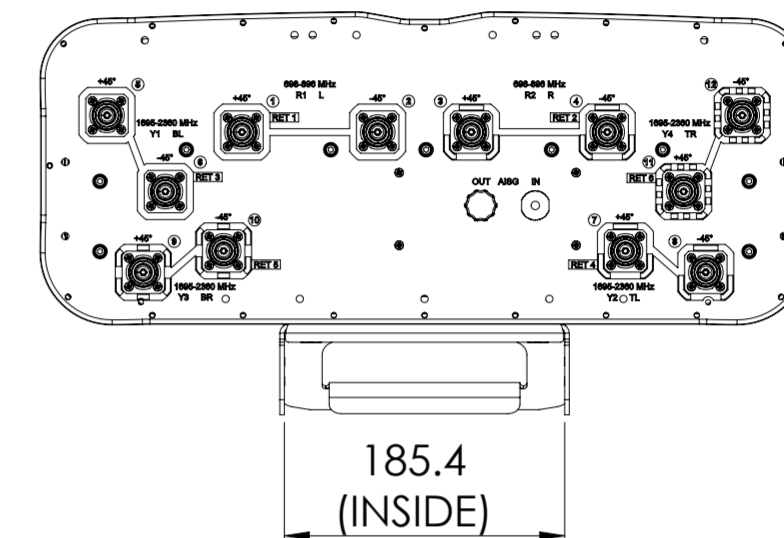
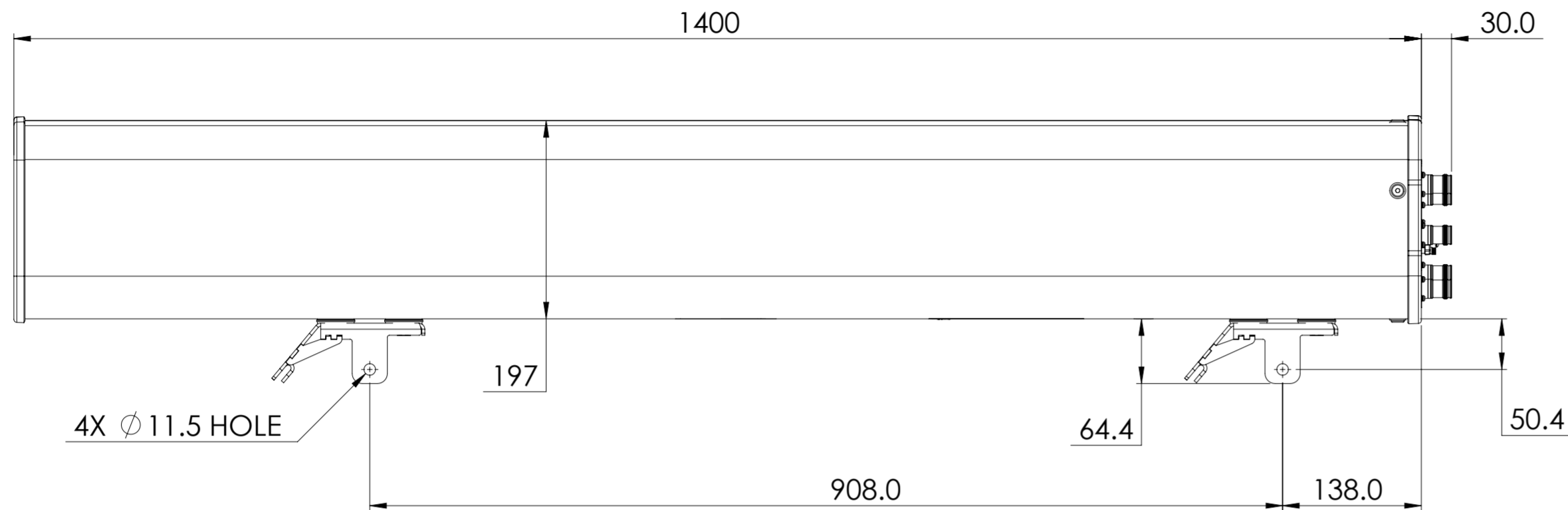


NOTES:

REVISIONS			
REV.	DESCRIPTION	DATE	APPROVED
A	ECR 8000029723: REL TO PRODUCTION PER EAO 605465.	07MAY18 RY	KEL/PJ
B	ECR 8000036580: UPDATE DRAWING WITH LATEST MODEL.	29JUL19 QF	ZHWJ/REX



NNH4-65A-R6-V1

COMMSCOPE, INC. OF NORTH CAROLINA

TOLERANCES		SAP MATERIAL MASTER	
0 PLACE X ±	2 PLACE .XX ±		
1 PLACE .X ±	ANGLES ±		
FINISH		MATERIAL	
<small>UNLESS OTHERWISE SPECIFIED DIMENSIONS ARE IN MILLIMETERS INTERPRET PER ISO STANDARDS HANDBOOK TECHNICAL DRAWINGS VOLUMES 1 & 2, THIRD EDITION (2002)</small>		NAME	DATE
		CE RY1017	05/07/2018
		RW QW1004	07/29/2019
		RV WZ1020	08/04/2019
		AD YHUAN	08/04/2019
RE ZHHCHEN	08/05/2019	TITLE	
ECN 8000036580-O		PRODUCT DRAWING	
SCALE 1:5		DOCUMENT NO. NNH4-65A-R6-V1-L	
SIZE A2	WORK AREA 23	MODEL	DRAWING
	VERSION 01	STATUS RE	REVISION B
	VERSION 01	STATUS RE	REVISION B
HEIGHT	LENGTH	WIDTH	SHEET 1 OF 1

DENSITY	g/mm ³
MASS	grams
VOLUME	mm ³
SURFACE AREA	mm ²

© 2018 CommScope, Inc.