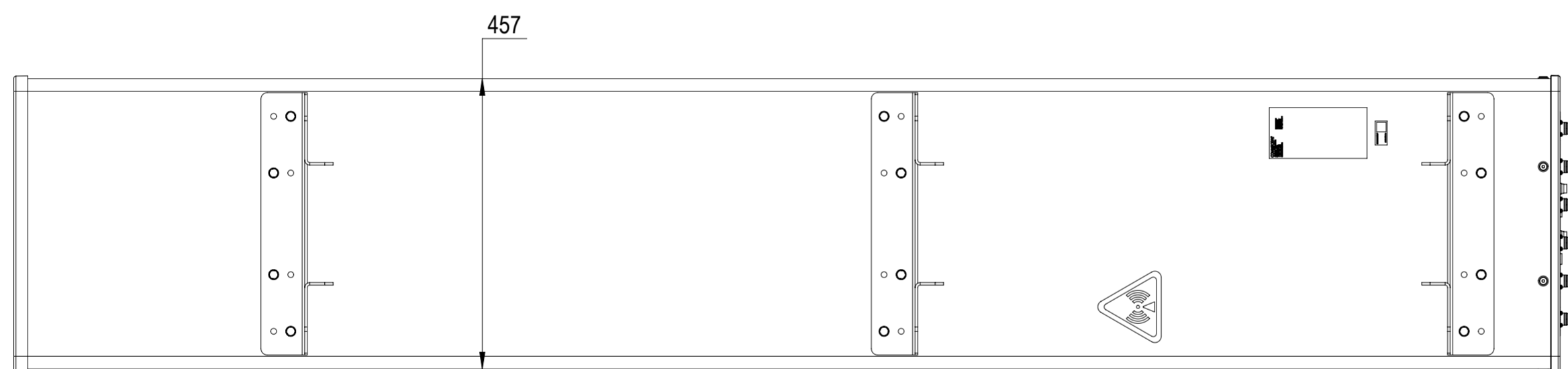
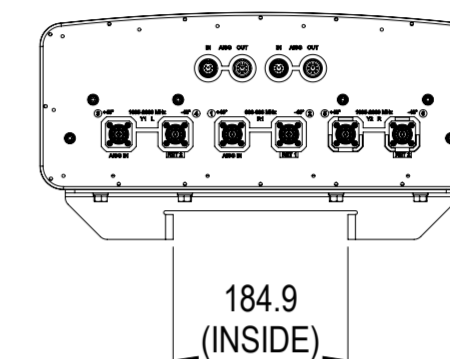
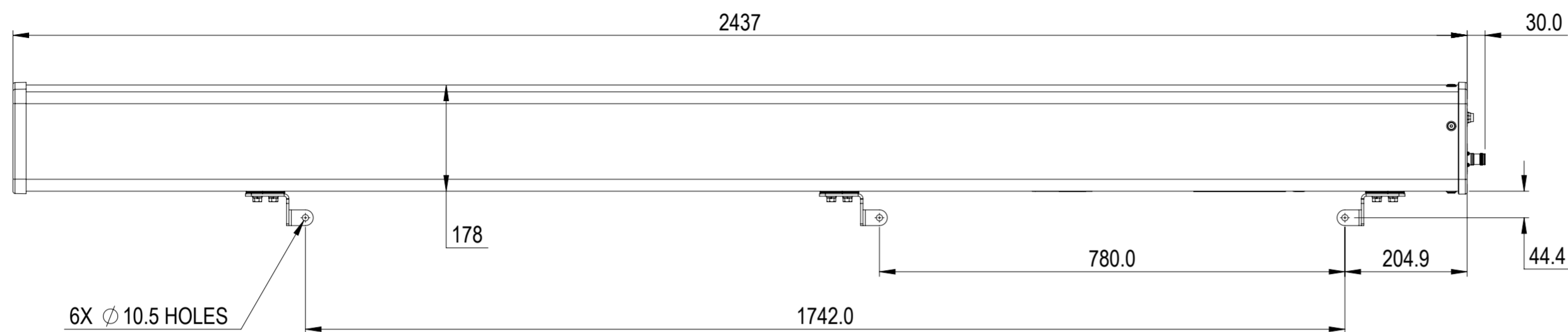


REVISIONS			
REV.	DESCRIPTION	DATE	APPROVED
A	ECR 8000027073: RELEASE TO PRODUCTION PER EAO 604908.	26MAR18 HWN	LHL / WRM



NHH-4565C-R2B

COMMSCOPE, INC. OF NORTH CAROLINA										
TOLERANCES					SAP MATERIAL MASTER					
0 PLACE X ± 3		2 PLACE .XX ± 0.10								
1 PLACE .X ± 1.0		ANGLES ± 1°								
FINISH					MATERIAL					
UNLESS OTHERWISE SPECIFIED DIMENSIONS ARE IN MILLIMETERS INTERPRET PER ISO STANDARDS HANDBOOK TECHNICAL DRAWINGS VOLUMES 1 & 2, THIRD EDITION (2002)	NAME		DATE		TITLE					
	CE	HWN	2018-02-08		PRODUCT DRAWING					
	RW	WH1034	04/16/2018							
	RV	AL1012	04/16/2018							
	AD	RW1038	04/16/2018							
RE	ZHHCHEN	04/16/2018								
ECN 8000027073-O					SCALE		DOCUMENT NO.			
					1:8		NHH-4565C-R2B-L			
SIZE		WORK AREA		MODEL		DRAWING				SHEET 1 OF 1
A2		23		RE		A		00		
				VERSION		STATUS		REVISION		
				00		RE		A		

DENSITY	g/mm ³
MASS	grams
VOLUME	mm ³
SURFACE AREA	mm ²
HEIGHT	
LENGTH	
WIDTH	

© 2018 CommScope, Inc.